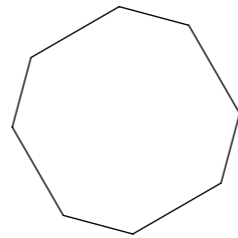


DETAIL A
SCALE 1:1

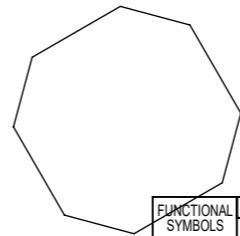


NOTES:

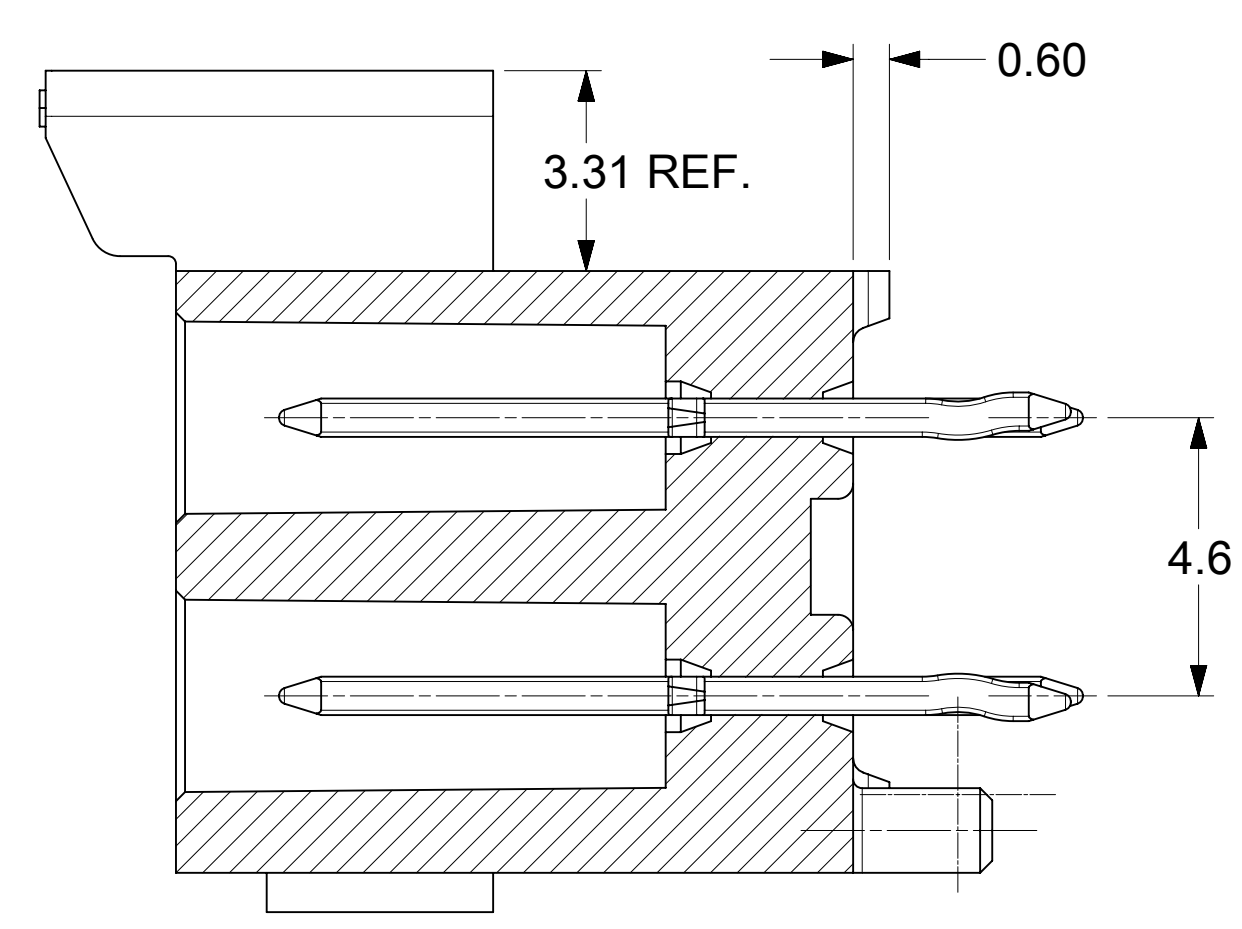
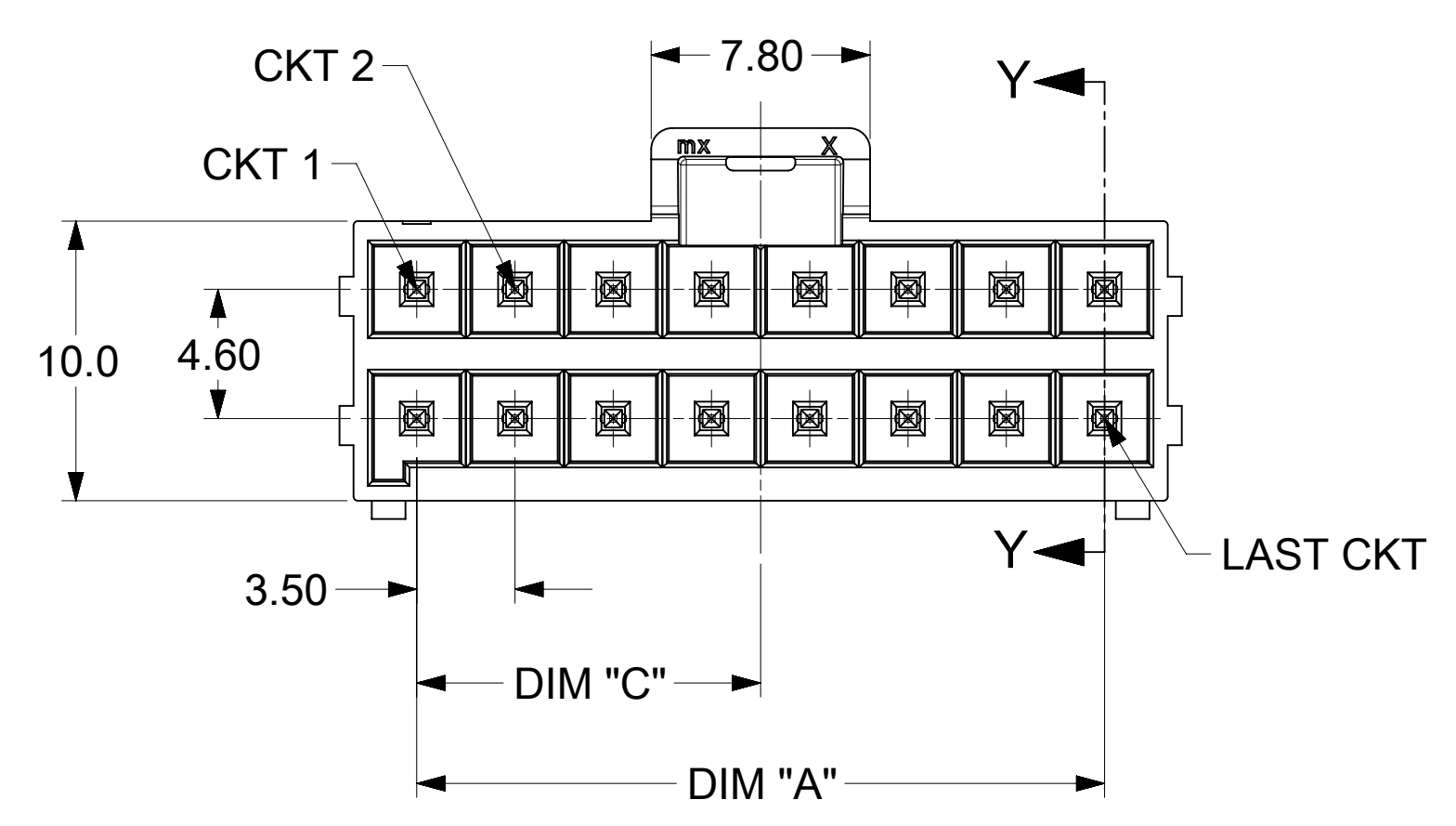
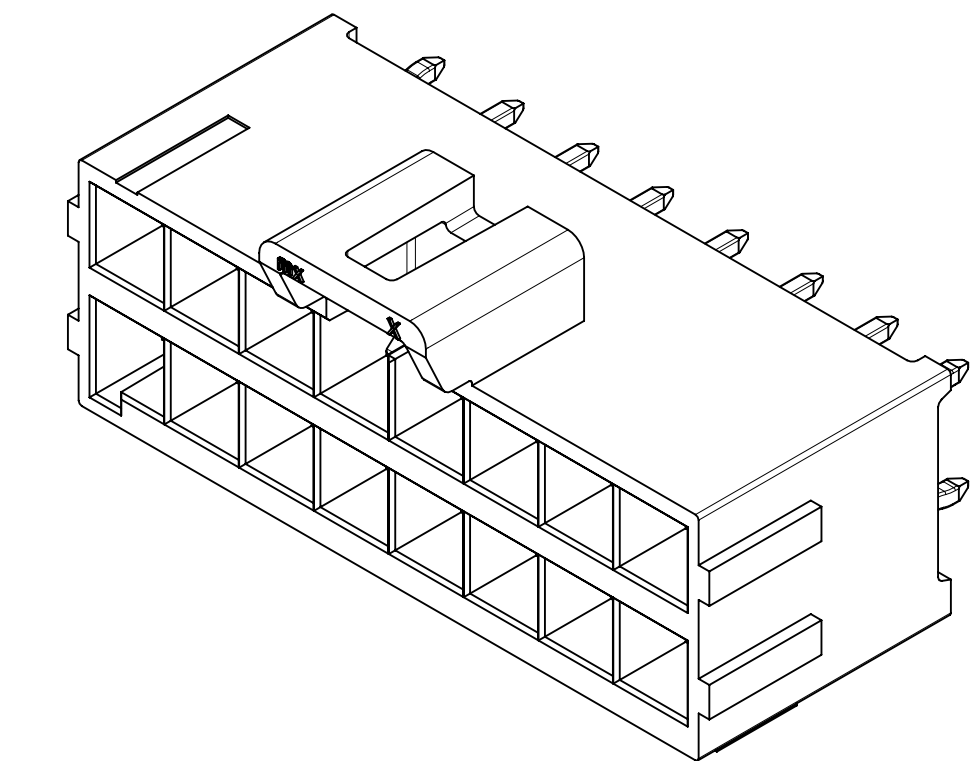
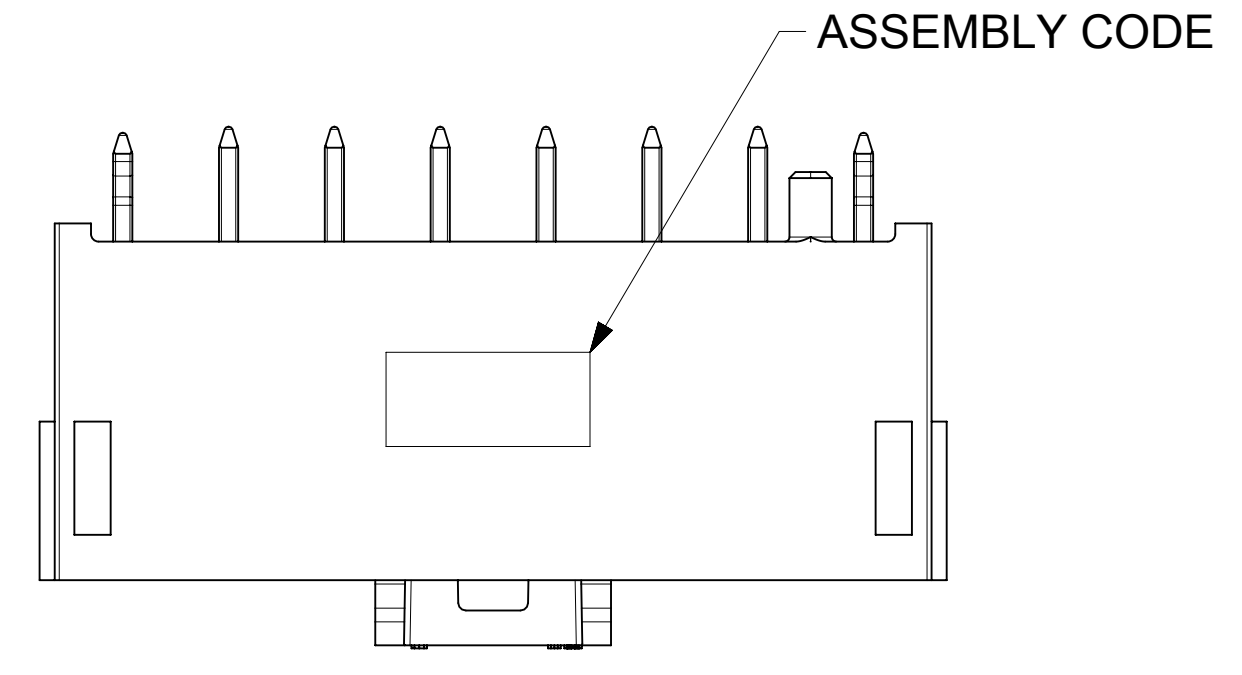
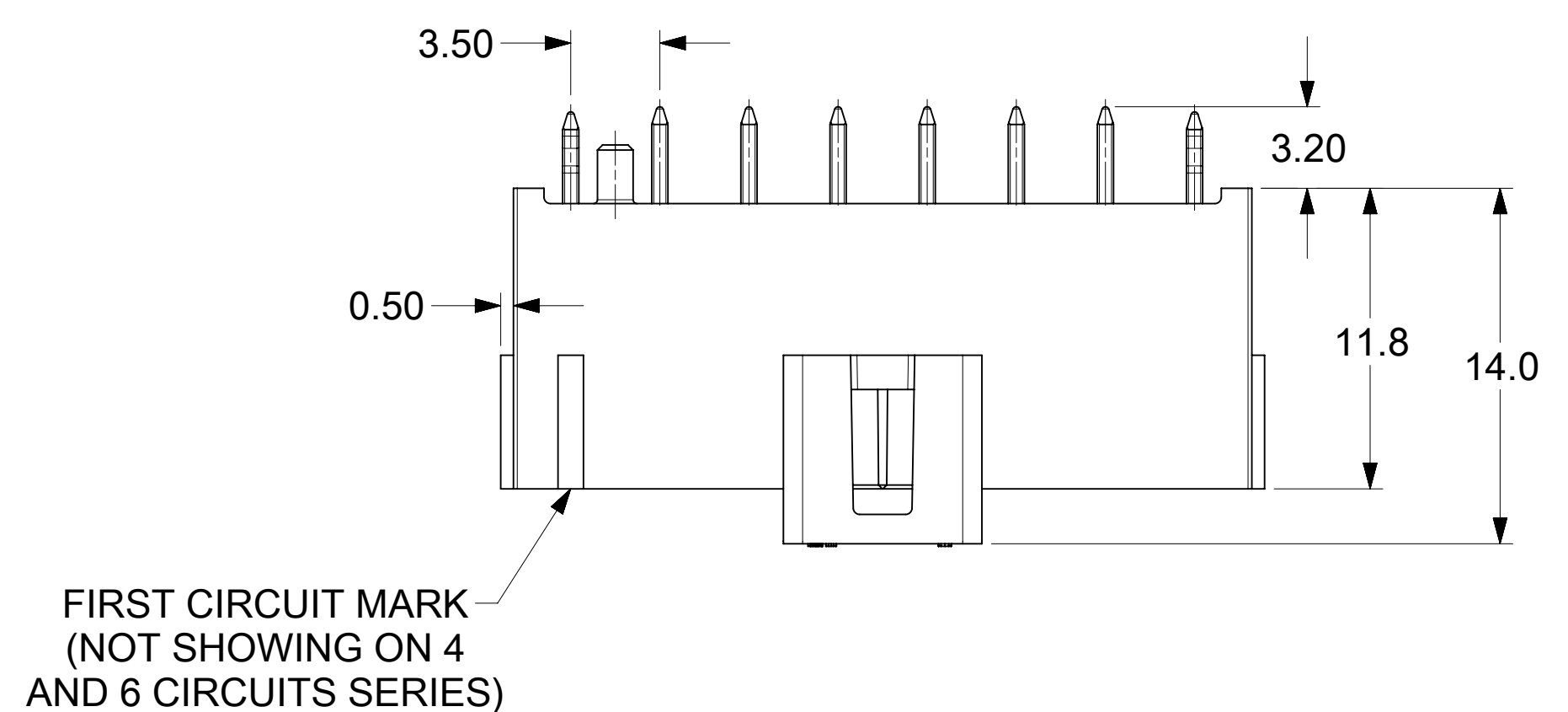
- PACKAGING MATERIALS:
 CARRIER TAPE - BLACK CARBON POLYSTYRENE, .45 MM PREFORMED THICKNESS.
 COVER TAPE - TRANSPARENT POLYETHYLENE, .05 MM THK. X 37.5 MM WIDE
 REEL - WHITE HIGH IMPACT POLYSTYRENE, 330 MM DIA.
 14 X 14 LAYER SHEETS REEL - ANTISTATIC, PINK PE
 CARTON - 275# BURST, KRAFT CORRUGATED FIBERBOARD
- ESD PROTECTION: CARRIER TAPE, COVER TAPE, AND REEL FLANGES MEET STATIC DISSIPATIVE PROPERTIES PER ESD ASSOCIATION STANDARD S541.
- REFER TO EIA STANDARD 481-D FOR CARRIER TAPE REQUIREMENTS NOT COVERED BY THIS PACKAGING SPECIFICATION.
- COVER TAPE MUST NOT EXTEND OVER ANY PART OF THE SPROCKET HOLES.
- THE COVER TAPE IS TO BE SEALED TO THE EMBOSSED CARRIER TAPE BY USING PRESSURE AND HEAT TO SECURELY ATTACH THE TWO. THE COVER TAPE MUST HAVE A PEEL STRENGTH BETWEEN 10 AND 130 GRAMS WHEN PULLED OPPOSITE THE DIRECTION OF CARRIER TAPE TRAVEL SUCH THAT COVER TAPE MAKES AN ANGLE OF 0° TO 15°.
- EACH REEL MUST HAVE A LABEL AFFIXED WITH THE FOLLOWING INFORMATION:
 MOLEX PART NUMBER, QUANTITY, AND DATE CODE.
- TAPE SPLICES ARE PERMISSABLE ON FINISHED REELS.
- ALL DIMENSIONS ARE IN MILLIMETER/INCH AND SHOWN FOR REFERENCE ONLY.
- PACKAGING SEQUENCE INTO CARTON:
 -PREPARE CARTON BY CLOSING BOTTOM AND SEALING LONG FLAPS SEALED WITH 2" WIDE CLEAR ADHESIVE TAPE EXTENDING 2" MINIMUM UP EACH END OF CARTON.
 -INSERT (1) FOAM LAYER SHEET INTO CARTON.
 -INSERT (4) CORNER SUPPORTS INTO CARTON.
 -PLACE LOADED REELS (QTY PER CHART) INTO CARTON WITH (1) FOAM LAYER SHEET BETWEEN EACH REEL.
 -ADD ADDITIONAL FOAM LAYER SHEETS ON TOP AS REQUIRED TO FILL CARTON.
 -CLOSE CARTON AND SEAL LONG FLAPS WITH 2" WIDE ADHESIVE TAPE EXTENDING 2" MINIMUM DOWN SIDES OF CARTON.
 -ADD LABELS TO CARTON AS REQUIRED.

FUNCTIONAL SYMBOLS	THIS DRAWING CONTAINS INFORMATION THAT IS PROPRIETARY TO MOLEX ELECTRONIC TECHNOLOGIES, LLC AND SHOULD NOT BE USED WITHOUT WRITTEN PERMISSION		CURRENT REV DESC:		molex		
	△/A = 0	mm	SCALE	1:1		PACKING DRAWING FOR ULTRA-FIT POWER CONN	
△/E = 0	GENERAL TOLERANCES (UNLESS SPECIFIED)		EC NO: 691892		PRODUCT CUSTOMER DRAWING		
△/P = 0	ANGULAR TOL ± °		DRWN: GLLI 2022/01/13				
DIVISIONAL SYMBOLS	4 PLACES	±	CHK'D: XQZHANG 2022/01/17		DOCUMENT NUMBER		
	3 PLACES	± 0.1	APPR: XQZHANG 2022/01/17			DOC TYPE	
	2 PLACES	± 0.2	INITIAL REVISION:		DOC PART		
	1 PLACE	± 0.3	DRWN: GLLI 2021/01/25			REVISION	
0 PLACES	±	APPR: YXZHENG 2021/02/14		1722981000-PK			
DRAFT WHERE APPLICABLE MUST REMAIN WITHIN DIMENSIONS		THIRD ANGLE PROJECTION	DRAWING	SERIES	MATERIAL NUMBER	CUSTOMER	SHEET NUMBER
			A3-SIZE	172298			1 OF 2

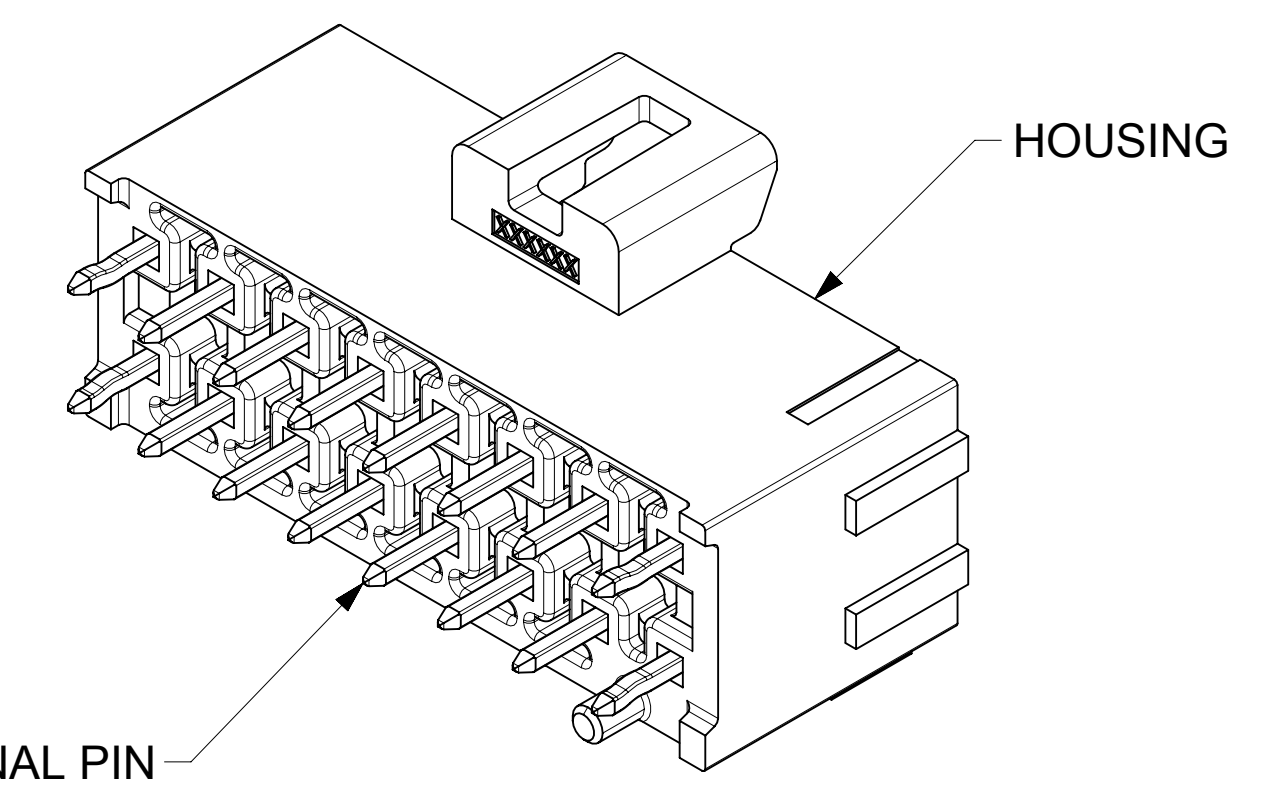
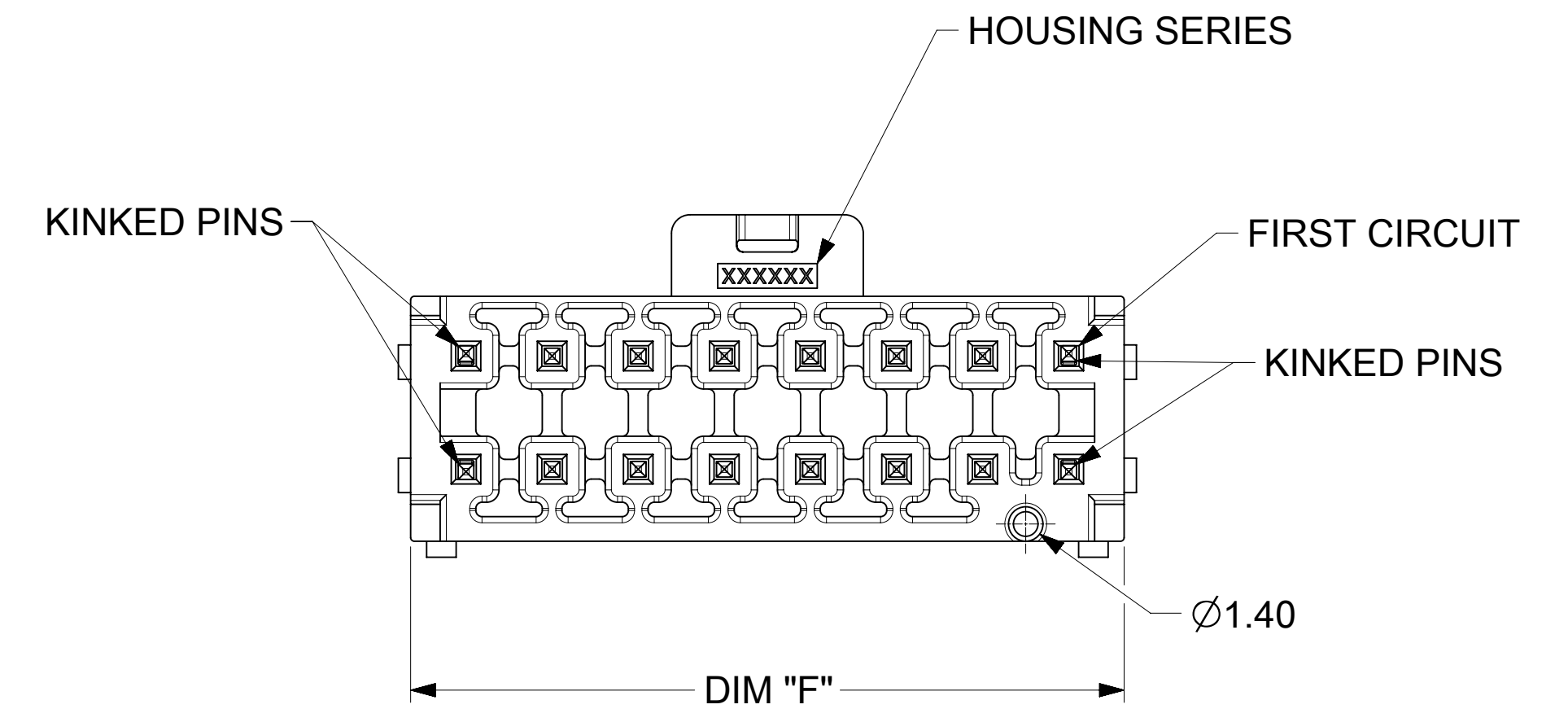
PACKAGED PART NUMBER	VERSION	PARTS PER REEL	REELS PER CARTON	PARTS PER CARTON	DIM "A"	"P" (Pitch)	EMBOSSED CARRIER TAPE	COVER TAPE	KAPTON TAPE P/N	CARRIER TAPE REEL			EMPTY POCKET		LEADER COVER TAPE DIM. (MIN)
										ASSEMBLED REEL SEE NOTE 1	1/2 HUB FLANGES		START	END	
											LEFT	RIGHT			
172298-7104, 172298-3104, 172298-7204, 172298-3204, 172298-7304, 172298-3304	4 CKT	125	4	500	32	24	70180-3020	436550001	45969-0013	701806512	701806501	701806501	5	7	300
172298-7106, 172298-3106, 172298-7206, 172298-3206, 172298-7306, 172298-3306	6 CKT	125	4	500	32	24	70180-3021	436550001	45969-0015	701806512	701806501	701806501			
172298-7108, 172298-3108, 172298-7208, 172298-3208, 172298-7308, 172298-3308	8 CKT	125	3	375	44	24	70180-3019	436550002	45969-0012	701806513	701806501	701806502			
172298-7110, 172298-3110, 172298-7210, 172298-3210, 172298-7310, 172298-3310	10 CKT	125	3	375	44	24	70180-3719	436550002	45969-0012	701806513	701806501	701806502			
172298-7112, 172298-3112, 172298-7212, 172298-3212, 172298-7312, 172298-3312	12 CKT	125	3	375	44	24	172298-8012	436550002	45969-0012	701806513	701806501	701806502			
172298-7114, 172298-3114, 172298-7214, 172298-3214, 172298-7314, 172298-3314	14 CKT	125	3	375	44	24	70180-3720	436550002	45969-0012	701806513	701806501	701806502			
172298-7116, 172298-3116, 172298-7216, 172298-3216, 172298-7316, 172298-3316	16 CKT	125	2	250	56	24	172298-8016	894990124	45969-0012	701806514	701806502	701806502			
172298-8104, 172298-4104, 172298-8204, 172298-4204, 172298-8304, 172298-4304	4 CKT	125	4	500	32	24	70180-3020	436550001	NA	701806512	701806501	701806501			
172298-8106, 172298-4106, 172298-8206, 172298-4206, 172298-8306, 172298-4306	6 CKT	125	4	500	32	24	70180-3021	436550001	NA	701806512	701806501	701806501			
172298-8108, 172298-4108, 172298-8208, 172298-4208, 172298-8308, 172298-4308	8 CKT	125	3	375	44	24	70180-3019	436550002	NA	701806513	701806501	701806502			
172298-8110, 172298-4110, 172298-8210, 172298-4210, 172298-8310, 172298-4310	10 CKT	125	3	375	44	24	70180-3719	436550002	NA	701806513	701806501	701806502			
172298-8112, 172298-4112, 172298-8212, 172298-4212, 172298-8312, 172298-4312	12 CKT	125	3	375	44	24	172298-8012	436550002	NA	701806513	701806501	701806502			
172298-8114, 172298-4114, 172298-8214, 172298-4214, 172298-8314, 172298-4314	14 CKT	125	3	375	44	24	70180-3720	436550002	NA	701806513	701806501	701806502			
172298-8116, 172298-4116, 172298-8216, 172298-4216, 172298-8316, 172298-4316	16 CKT	125	2	250	56	24	172298-8016	894990124	NA	701806514	701806502	701806502			



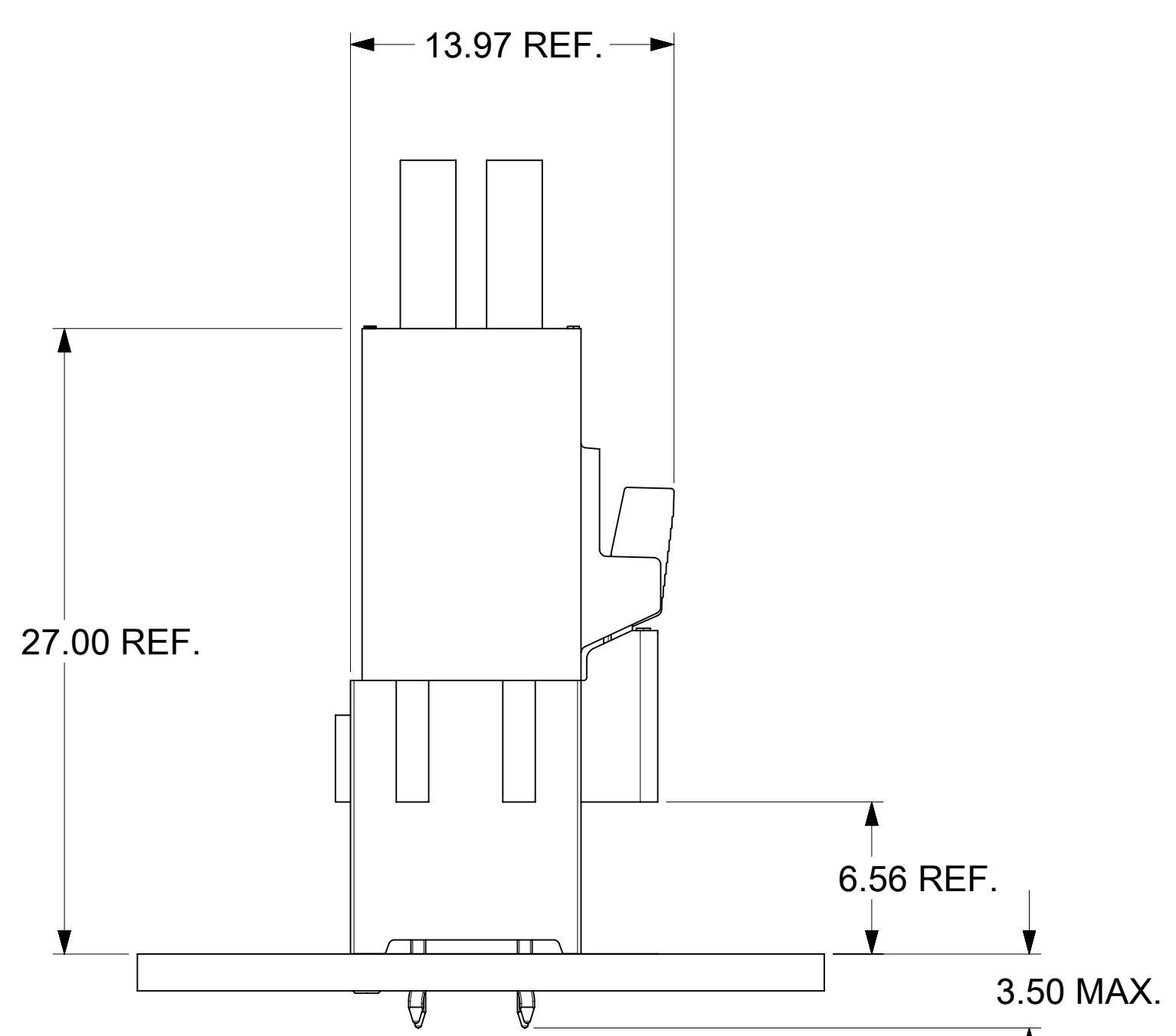
FUNCTIONAL SYMBOLS		THIS DRAWING CONTAINS INFORMATION THAT IS PROPRIETARY TO MOLEX ELECTRONIC TECHNOLOGIES, LLC AND SHOULD NOT BE USED WITHOUT WRITTEN PERMISSION		CURRENT REV DESC:			
$\frac{F}{A} = 0$ $\frac{F}{E} = 0$ $\frac{F}{P} = 0$		DIMENSION UNITS: mm SCALE: 1:1					
DIVISIONAL SYMBOLS		GENERAL TOLERANCES (UNLESS SPECIFIED)		EC NO: 691892		2022/01/13	
		ANGULAR TOL ± °		DRWN: GLLI		2022/01/17	
		4 PLACES ±		CHK'D: XQZHANG		2022/01/17	
		3 PLACES ± 0.1		APPR: XQZHANG		2022/01/17	
		2 PLACES ± 0.2		INITIAL REVISION:		DOCUMENT NUMBER	
		1 PLACE ± 0.3		DRWN: GLLI		1722981000-PK	
		0 PLACES ±		APPR: YXZHENG		PSD 000 A1	
		DRAFT WHERE APPLICABLE MUST REMAIN WITHIN DIMENSIONS		THIRD ANGLE PROJECTION		SERIES	
				DRAWING		MATERIAL NUMBER	
				A3-SIZE		CUSTOMER	
				172298		SHEET NUMBER	
						2 OF 2	



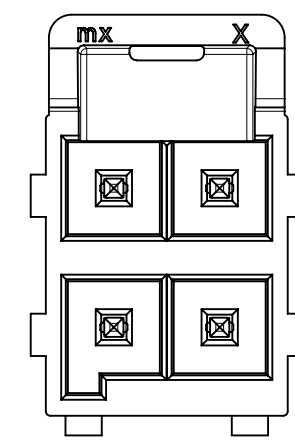
SECTION Y-Y
SCALE 8:1



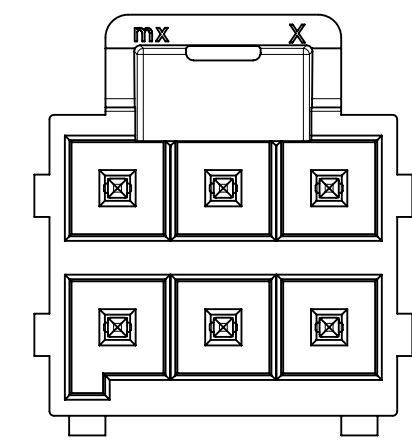
- NOTES:
- MATERIAL :
HOUSING
OPTION 1: LCP BLACK, UL94 V-0
OPTION 2: LCP NATURAL, UL94 V-0
TERMINAL: COPPER ALLOY
 - PLATING FINISH:
OPTION 1 - 1.52µm(60µin)-2.54µm(100µin) TIN OVER,
1.27µm(50µin)-2.54µm(100µin) NICKEL OVERALL,
OPTION 2 - 0.38µm(15µin) GOLD CONTACT AREA,
1.52µm(60µin)-2.54µm(100µin) TIN TAIL AREA OVER,
1.27µm(50µin)-2.54µm(100µin) NICKEL OVERALL.
OPTION 3 - 0.76µm(30µin) GOLD CONTACT AREA,
1.52µm(60µin)-2.54µm(100µin) TIN TAIL AREA OVER,
1.27µm(50µin)-2.54µm(100µin) NICKEL OVERALL.
 - PACKAGE SPECIFICATION REFER TO CHART IN SHEET 3.
 - PRODUCT SPECIFICATION PS-172323-0001.
 - PART MATES WITH MOLEX RECEPTACLE HOUSING 172258 AND 172262.
 - PART CONFORMS TO CLASS "C" REQUIREMENTS OF SPECIFICATION PS-45499-002 WITH 0.13 MM MAXIMUM FLASH ALLOWED IN CORE HOLES AND FRONT SURFACE.
 - DISCOLORATION IN THE BANDOLIER AREA OF THE PIN IS INHERENT TO THE PLATING PROCESS AND IS DUE TO THE MASKING EFFECT OF THE CARRIER. THIS DISCOLORATION IS IN A NON-FUNCTIONAL AREA OF THE PIN AND WILL NOT AFFECT THE PERFORMANCE OF THE HEADER ASSEMBLY.
 - APPLICATION SPECIFICATION: AS-172323-0001



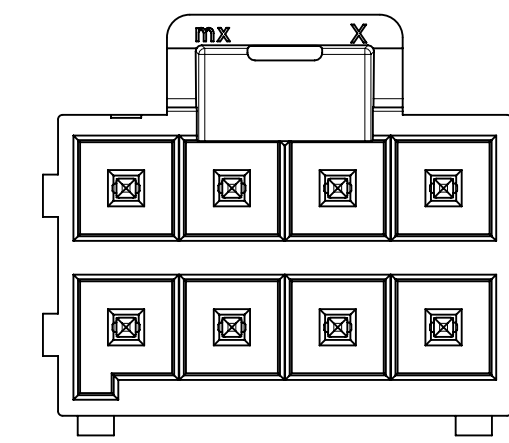
FUNCTIONAL SYMBOLS FA = 0 FE = 0 FP = 0	THIS DRAWING CONTAINS INFORMATION THAT IS PROPRIETARY TO MOLEX ELECTRONIC TECHNOLOGIES, LLC AND SHOULD NOT BE USED WITHOUT WRITTEN PERMISSION		CURRENT REV DESC:						
	DIMENSION UNITS	SCALE							
	4 PLACES	mm	4:1			ULTRA-FIT VERT HEADER 4-16 CKTS DUAL ROW KINKED PINS			
	3 PLACES			GENERAL TOLERANCES (UNLESS SPECIFIED)		PRODUCT CUSTOMER DRAWING			
DIVISIONAL SYMBOLS	ANGULAR TOL	±	°	EC NO: 693485		DOCUMENT NUMBER			
	4 PLACES	±		DRWN: GLLI		DOC TYPE			
	3 PLACES	±		CHK'D: XQZHANG		DOC PART			
	2 PLACES	±	0.25	APPR: XQZHANG		REVISION			
	1 PLACE	±	0.5	INITIAL REVISION:		SD-172298-1000			
	0 PLACES	±		DRWN: DROSCA		PSD 000 D1			
	DRAFT WHERE APPLICABLE MUST REMAIN WITHIN DIMENSIONS		THIRD ANGLE PROJECTION		DRWN: JCOMERCI		MATERIAL NUMBER		
					SERIES		CUSTOMER		
					D-DRAWING		GENERAL MARKET		
					SERIES		SHEET NUMBER		
					172298		1 OF 3		



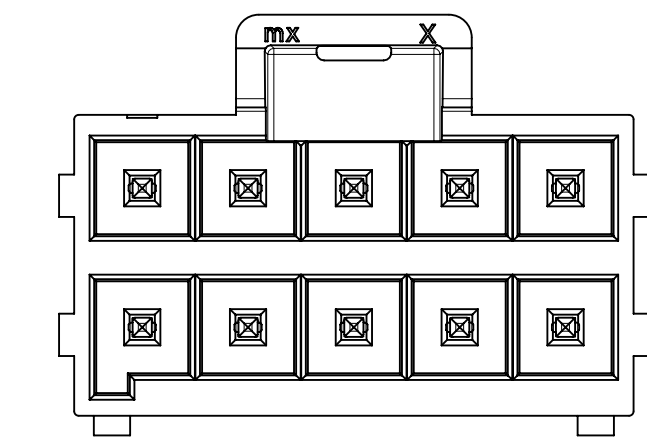
4 CKT



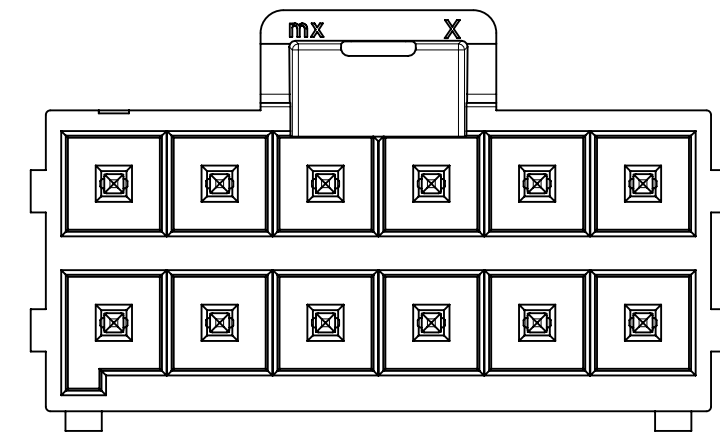
6 CKT



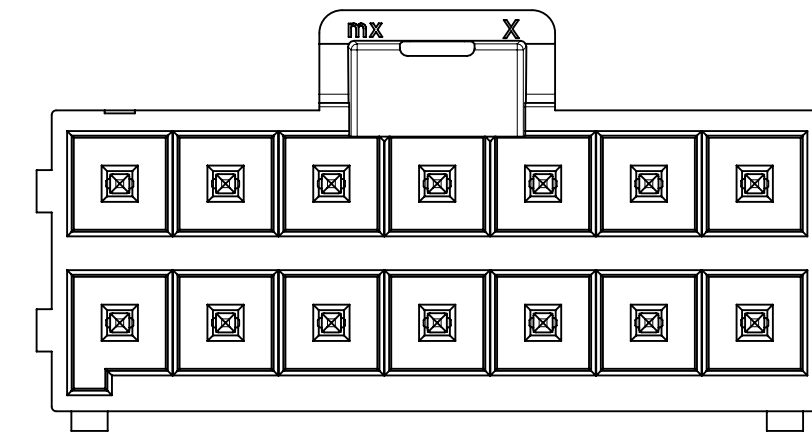
8 CKT



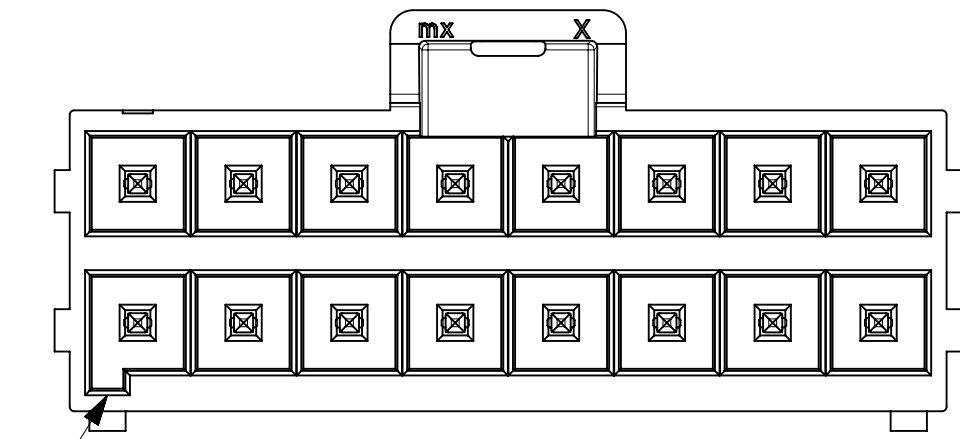
10 CKT



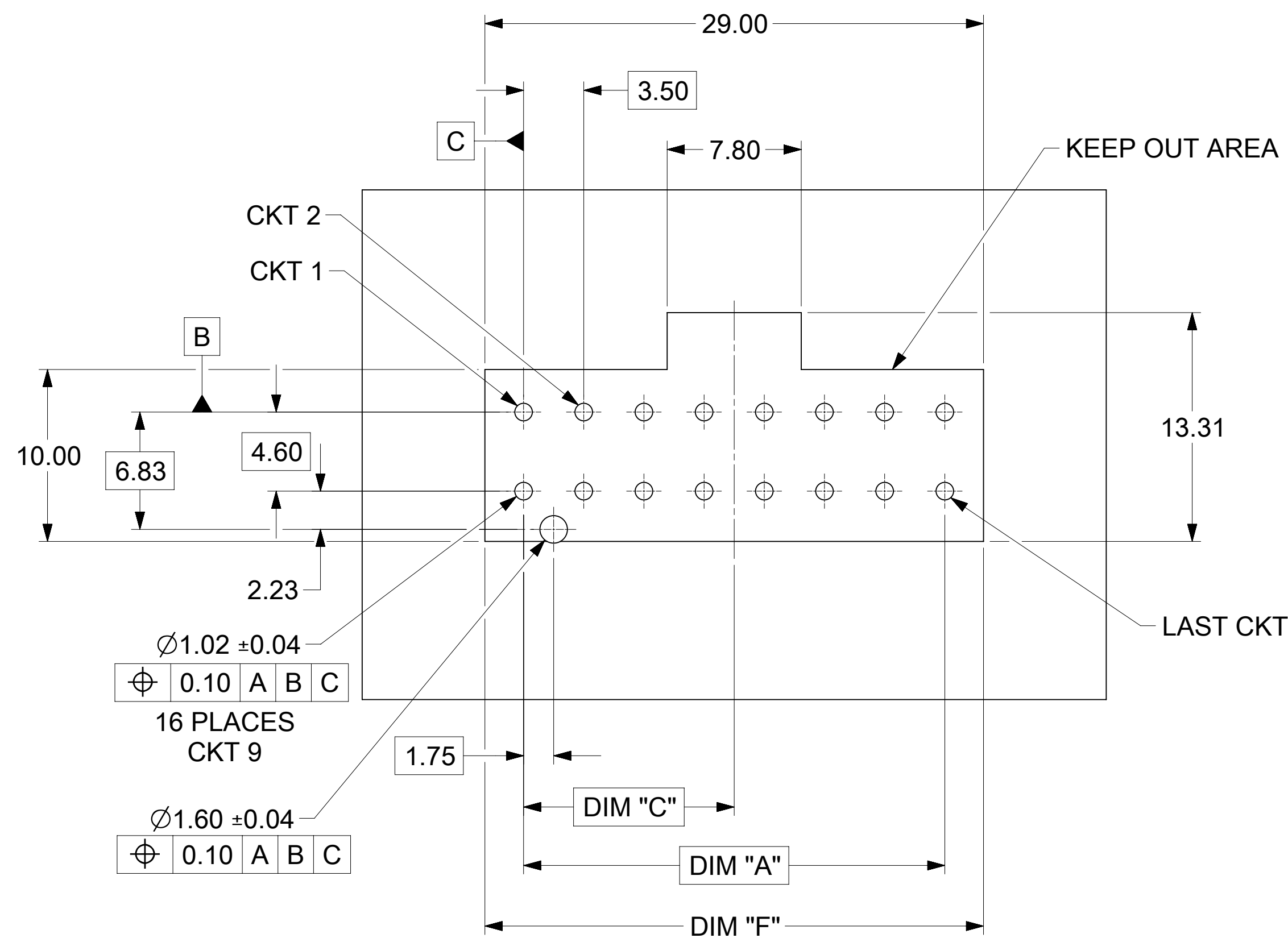
12 CKT



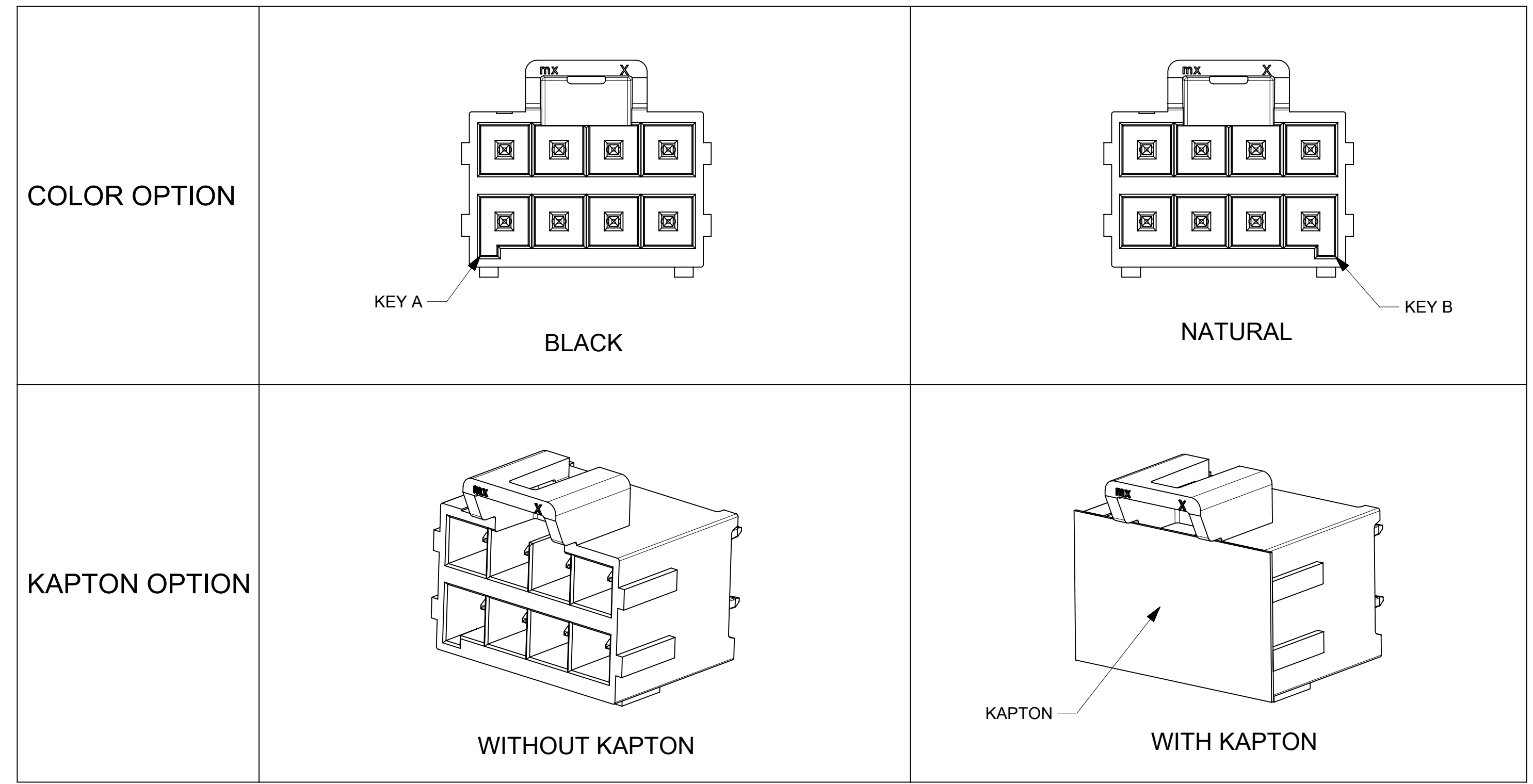
14 CKT



16 CKT



NOTE: DATUM -A- IS ON PCB COMPONENT SIDE



FUNCTIONAL SYMBOLS	THIS DRAWING CONTAINS INFORMATION THAT IS PROPRIETARY TO MOLEX ELECTRONIC TECHNOLOGIES, LLC AND SHOULD NOT BE USED WITHOUT WRITTEN PERMISSION		CURRENT REV DESC:		
	DIMENSION UNITS	SCALE			
FA = 0	mm	4:1			ULTRA-FIT VERT HEADER 4-16 CKTS DUAL ROW KINKED PINS
FC = 0	GENERAL TOLERANCES (UNLESS SPECIFIED)				
FD = 0	ANGULAR TOL ± °				PRODUCT CUSTOMER DRAWING
DIVISIONAL SYMBOLS	4 PLACES ±		EC NO: 693485		
	3 PLACES ±		DRWN: GLLI 2022/01/21		
	2 PLACES ± 0.25		CHK'D: XQZHANG 2022/01/26		
	1 PLACE ± 0.5		APPR: XQZHANG 2022/01/26		
	0 PLACES ±		INITIAL REVISION:		
DRAFT WHERE APPLICABLE MUST REMAIN WITHIN DIMENSIONS		THIRD ANGLE PROJECTION		DRWN: DROSCA 2014/03/04 APPR: JCOMERCI 2014/04/24	
		DRAWING		SERIES	
		D-SIZE		172298	
DOCUMENT STATUS		MATERIAL NUMBER		CUSTOMER	
P1		SD-172298-1000		GENERAL MARKET	
RELEASE DATE		DOC TYPE		REVISION	
2022/01/26 13:35:15		PSD 000		D1	
		SHEET NUMBER			
		2 OF 3			

TIN PLATING								COLOR	PACKAGING SPEC.
PART NO.	KAPTON OPTION	CIRCUIT SIZE	KEY OPTION	DIM A	DIM F	DIM C			
172298-1104	WITHOUT	4	KEY A	3.50	8.00	1.75	BLACK	TRAY PK-172298-9001	
172298-1106	WITHOUT	6	KEY A	7.00	11.50	3.50			
172298-1108	WITHOUT	8	KEY A	10.50	15.00	5.25			
172298-1110	WITHOUT	10	KEY A	14.00	18.50	7.00			
172298-1112	WITHOUT	12	KEY A	17.50	22.00	8.75			
172298-1114	WITHOUT	14	KEY A	21.00	25.50	10.50			
172298-1116	WITHOUT	16	KEY A	24.50	29.00	12.25			
172298-2104	WITHOUT	4	KEY B	3.50	8.00	1.75			
172298-2106	WITHOUT	6	KEY B	7.00	11.50	3.50			
172298-2108	WITHOUT	8	KEY B	10.50	15.00	5.25			
172298-2110	WITHOUT	10	KEY B	14.00	18.50	7.00			
172298-2112	WITHOUT	12	KEY B	17.50	22.00	8.75			
172298-2114	WITHOUT	14	KEY B	21.00	25.50	10.50			
172298-2116	WITHOUT	16	KEY B	24.50	29.00	12.25			
172298-7104	WITH	4	KEY A	3.50	8.00	1.75	BLACK	TAPE REEL 1722981000-PK	
172298-7106	WITH	6	KEY A	7.00	11.50	3.50			
172298-7108	WITH	8	KEY A	10.50	15.00	5.25			
172298-7110	WITH	10	KEY A	14.00	18.50	7.00			
172298-7112	WITH	12	KEY A	17.50	22.00	8.75			
172298-7114	WITH	14	KEY A	21.00	25.50	10.50			
172298-7116	WITH	16	KEY A	24.50	29.00	12.25			
172298-8104	WITHOUT	4	KEY A	3.50	8.00	1.75			
172298-8106	WITHOUT	6	KEY A	7.00	11.50	3.50			
172298-8108	WITHOUT	8	KEY A	10.50	15.00	5.25			
172298-8110	WITHOUT	10	KEY A	14.00	18.50	7.00			
172298-8112	WITHOUT	12	KEY A	17.50	22.00	8.75			
172298-8114	WITHOUT	14	KEY A	21.00	25.50	10.50			
172298-8116	WITHOUT	16	KEY A	24.50	29.00	12.25			
172298-3104	WITH	4	KEY B	3.50	8.00	1.75	NATURAL		
172298-3106	WITH	6	KEY B	7.00	11.50	3.50			
172298-3108	WITH	8	KEY B	10.50	15.00	5.25			
172298-3110	WITH	10	KEY B	14.00	18.50	7.00			
172298-3112	WITH	12	KEY B	17.50	22.00	8.75			
172298-3114	WITH	14	KEY B	21.00	25.50	10.50			
172298-3116	WITH	16	KEY B	24.50	29.00	12.25			
172298-4104	WITHOUT	4	KEY B	3.50	8.00	1.75			
172298-4106	WITHOUT	6	KEY B	7.00	11.50	3.50			
172298-4108	WITHOUT	8	KEY B	10.50	15.00	5.25			
172298-4110	WITHOUT	10	KEY B	14.00	18.50	7.00			
172298-4112	WITHOUT	12	KEY B	17.50	22.00	8.75			
172298-4114	WITHOUT	14	KEY B	21.00	25.50	10.50			
172298-4116	WITHOUT	16	KEY B	24.50	29.00	12.25			

15 MICROINCH GOLD PLATING								COLOR	PACKAGING SPEC.
PART NO.	KAPTON OPTION	CIRCUIT SIZE	KEY OPTION	DIM A	DIM F	DIM C			
172298-1204	WITHOUT	4	KEY A	3.50	8.00	1.75	BLACK	TRAY PK-172298-9001	
172298-1206	WITHOUT	6	KEY A	7.00	11.50	3.50			
172298-1208	WITHOUT	8	KEY A	10.50	15.00	5.25			
172298-1210	WITHOUT	10	KEY A	14.00	18.50	7.00			
172298-1212	WITHOUT	12	KEY A	17.50	22.00	8.75			
172298-1214	WITHOUT	14	KEY A	21.00	25.50	10.50			
172298-1216	WITHOUT	16	KEY A	24.50	29.00	12.25			
172298-2204	WITHOUT	4	KEY B	3.50	8.00	1.75			
172298-2206	WITHOUT	6	KEY B	7.00	11.50	3.50			
172298-2208	WITHOUT	8	KEY B	10.50	15.00	5.25			
172298-2210	WITHOUT	10	KEY B	14.00	18.50	7.00			
172298-2212	WITHOUT	12	KEY B	17.50	22.00	8.75			
172298-2214	WITHOUT	14	KEY B	21.00	25.50	10.50			
172298-2216	WITHOUT	16	KEY B	24.50	29.00	12.25			
172298-7204	WITH	4	KEY A	3.50	8.00	1.75	BLACK	TAPE REEL 1722981000-PK	
172298-7206	WITH	6	KEY A	7.00	11.50	3.50			
172298-7208	WITH	8	KEY A	10.50	15.00	5.25			
172298-7210	WITH	10	KEY A	14.00	18.50	7.00			
172298-7212	WITH	12	KEY A	17.50	22.00	8.75			
172298-7214	WITH	14	KEY A	21.00	25.50	10.50			
172298-7216	WITH	16	KEY A	24.50	29.00	12.25			
172298-8204	WITHOUT	4	KEY A	3.50	8.00	1.75			
172298-8206	WITHOUT	6	KEY A	7.00	11.50	3.50			
172298-8208	WITHOUT	8	KEY A	10.50	15.00	5.25			
172298-8210	WITHOUT	10	KEY A	14.00	18.50	7.00			
172298-8212	WITHOUT	12	KEY A	17.50	22.00	8.75			
172298-8214	WITHOUT	14	KEY A	21.00	25.50	10.50			
172298-8216	WITHOUT	16	KEY A	24.50	29.00	12.25			
172298-3204	WITH	4	KEY B	3.50	8.00	1.75	NATURAL		
172298-3206	WITH	6	KEY B	7.00	11.50	3.50			
172298-3208	WITH	8	KEY B	10.50	15.00	5.25			
172298-3210	WITH	10	KEY B	14.00	18.50	7.00			
172298-3212	WITH	12	KEY B	17.50	22.00	8.75			
172298-3214	WITH	14	KEY B	21.00	25.50	10.50			
172298-3216	WITH	16	KEY B	24.50	29.00	12.25			
172298-4204	WITHOUT	4	KEY B	3.50	8.00	1.75			
172298-4206	WITHOUT	6	KEY B	7.00	11.50	3.50			
172298-4208	WITHOUT	8	KEY B	10.50	15.00	5.25			
172298-4210	WITHOUT	10	KEY B	14.00	18.50	7.00			
172298-4212	WITHOUT	12	KEY B	17.50	22.00	8.75			
172298-4214	WITHOUT	14	KEY B	21.00	25.50	10.50			
172298-4216	WITHOUT	16	KEY B	24.50	29.00	12.25			

30 MICROINCH GOLD PLATING								COLOR	PACKAGING SPEC.
PART NO.	KAPTON OPTION	CIRCUIT SIZE	KEY OPTION	DIM A	DIM F	DIM C			
172298-1304	WITHOUT	4	KEY A	3.50	8.00	1.75	BLACK	TRAY PK-172298-9001	
172298-1306	WITHOUT	6	KEY A	7.00	11.50	3.50			
172298-1308	WITHOUT	8	KEY A	10.50	15.00	5.25			
172298-1310	WITHOUT	10	KEY A	14.00	18.50	7.00			
172298-1312	WITHOUT	12	KEY A	17.50	22.00	8.75			
172298-1314	WITHOUT	14	KEY A	21.00	25.50	10.50			
172298-1316	WITHOUT	16	KEY A	24.50	29.00	12.25			
172298-2304	WITHOUT	4	KEY B	3.50	8.00	1.75			
172298-2306	WITHOUT	6	KEY B	7.00	11.50	3.50			
172298-2308	WITHOUT	8	KEY B	10.50	15.00	5.25			
172298-2310	WITHOUT	10	KEY B	14.00	18.50	7.00			
172298-2312	WITHOUT	12	KEY B	17.50	22.00	8.75			
172298-2314	WITHOUT	14	KEY B	21.00	25.50	10.50			
172298-2316	WITHOUT	16	KEY B	24.50	29.00	12.25			
172298-7304	WITH	4	KEY A	3.50	8.00	1.75	BLACK	TAPE REEL 1722981000-PK	
172298-7306	WITH	6	KEY A	7.00	11.50	3.50			
172298-7308	WITH	8	KEY A	10.50	15.00	5.25			
172298-7310	WITH	10	KEY A	14.00	18.50	7.00			
172298-7312	WITH	12	KEY A	17.50	22.00	8.75			
172298-7314	WITH	14	KEY A	21.00	25.50	10.50			
172298-7316	WITH	16	KEY A	24.50	29.00	12.25			
172298-8304	WITHOUT	4	KEY A	3.50	8.00	1.75			
172298-8306	WITHOUT	6	KEY A	7.00	11.50	3.50			
172298-8308	WITHOUT	8	KEY A	10.50	15.00	5.25			
172298-8310	WITHOUT	10	KEY A	14.00	18.50	7.00			
172298-8312	WITHOUT	12	KEY A	17.50	22.00	8.75			
172298-8314	WITHOUT	14	KEY A	21.00	25.50	10.50			
172298-8316	WITHOUT	16	KEY A	24.50	29.00	12.25			
172298-3304	WITH	4	KEY B	3.50	8.00	1.75	NATURAL		
172298-3306	WITH	6	KEY B	7.00	11.50	3.50			
172298-3308	WITH	8	KEY B	10.50	15.00	5.25			
172298-3310	WITH	10	KEY B	14.00	18.50	7.00			
172298-3312	WITH	12	KEY B	17.50	22.00	8.75			
172298-3314	WITH	14	KEY B	21.00	25.50	10.50			
172298-3316	WITH	16	KEY B	24.50	29.00	12.25			
172298-4304	WITHOUT	4	KEY B	3.50	8.00	1.75			
172298-4306	WITHOUT	6	KEY B	7.00	11.50	3.50			
172298-4308	WITHOUT	8	KEY B	10.50	15.00	5.25			
172298-4310	WITHOUT	10	KEY B	14.00	18.50	7.00			
172298-4312	WITHOUT	12	KEY B	17.50	22.00	8.75			
172298-4314	WITHOUT	14	KEY B	21.00	25.50	10.50			
172298-4316	WITHOUT	16	KEY B	24.50	29.00	12.25			

FUNCTIONAL SYMBOLS										THIS DRAWING CONTAINS INFORMATION THAT IS PROPRIETARY TO MOLEX ELECTRONIC TECHNOLOGIES, LLC AND SHOULD NOT BE USED WITHOUT WRITTEN PERMISSION									
FA = 0					mm					SCALE 1:1					CURRENT REV DESC:				
FC = 0					GENERAL TOLERANCES (UNLESS SPECIFIED)					ANGULAR TOL ± °					EC NO: 693485				
FD = 0					4 PLACES ±					3 PLACES ±					DRWN: GLLI 2022/01/21				
DIVISIONAL SYMBOLS					2 PLACES ± 0.25					1 PLACE ± 0.5					CHK'D: XQZHANG 2022/01/26				
					0 PLACES ±					INITIAL REVISION:					APPR: XQZHANG 2022/01/26				
					DRAFT WHERE APPLICABLE MUST REMAIN WITHIN DIMENSIONS					THIRD ANGLE PROJECTION					DRWN: DROSCA 2014/03/04				
					DRAWING D-SIZE					SERIES 172298					APPR: JCOMERCI 2014/04/24				
DOCUMENT STATUS P1										RELEASE DATE 2022/01/26 13:35:15									
SD-172298-1000										PSD 000 D1									
GENERAL MARKET										SHEET NUMBER 3 OF 3									