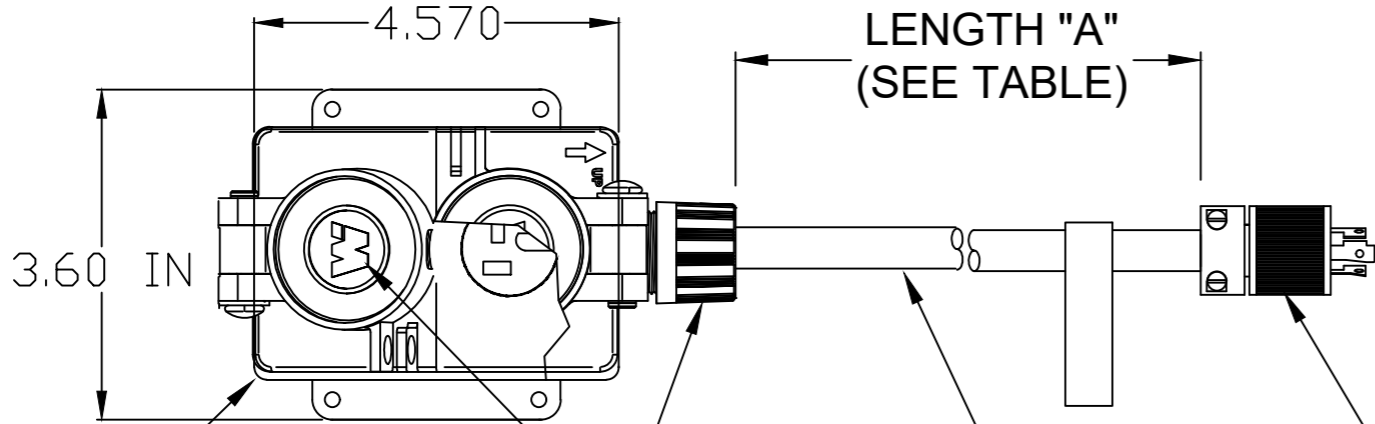
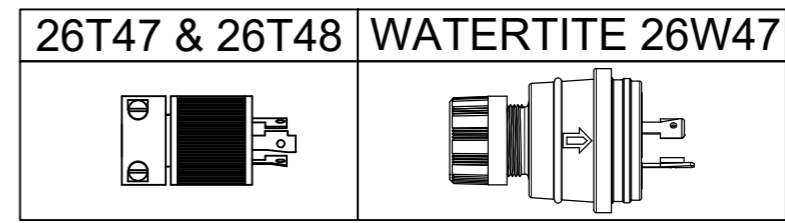
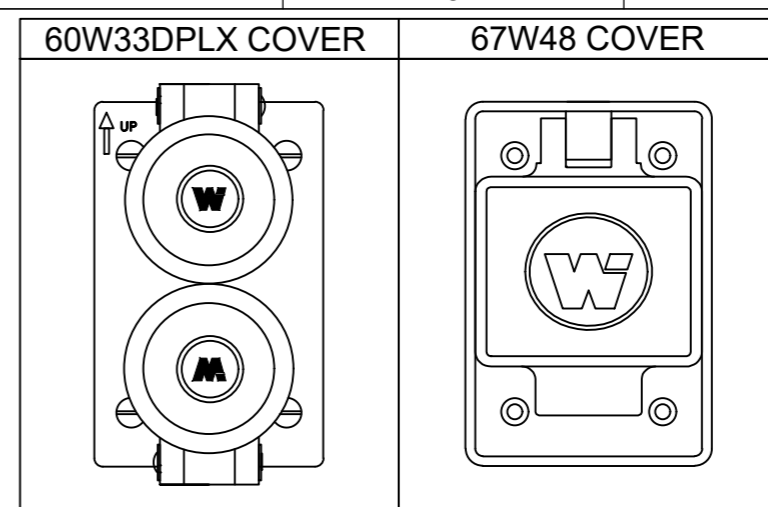


PART #	QUOTE #	DESCRIPTION	LENGTH "A"	PLUG #	RECEPTACLE #
1301370352	T201738622-5	DROP CORD, FD BOX, F3 MAX-LOC, PLUG, 6.56'	6.56 FEET (2 METERS)	26T47	60W33DPLX
1301370357	T201844263-3	DROP CORD, FD BOX, F3 MAX-LOC, WATERTITE PLUG, 17' 6"	17 FEET 6 INCH	26W47	60W33DPLX
1301370358	T201844299-9	DROP CORD, FD BOX, F3 MAX-LOC, PLUG, 15' 5"	15 FEET 5 INCH	26T47	60W33DPLX
1301370359	T201844299-10	DROP CORD, FD BOX, L6-20R, F3 MAX-LOC, PLUG, 15' 5"	15 FEET 5 INCH	26T48	67W48



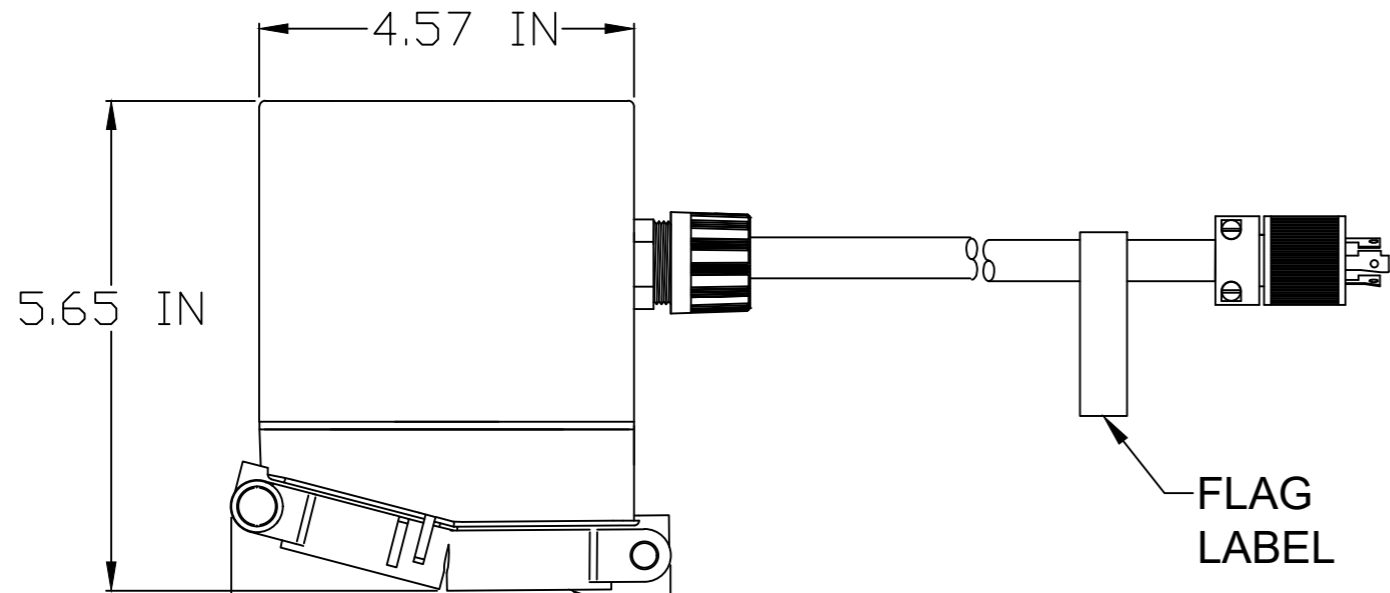
FD BOX  
GLASS-FILLED  
POLYESTER  
YELLOW  
P/N 453CR

20A/125V  
5-20R DUPLEX  
RECEPTACLE  
NYLON SHOWN  
SEE TABLE

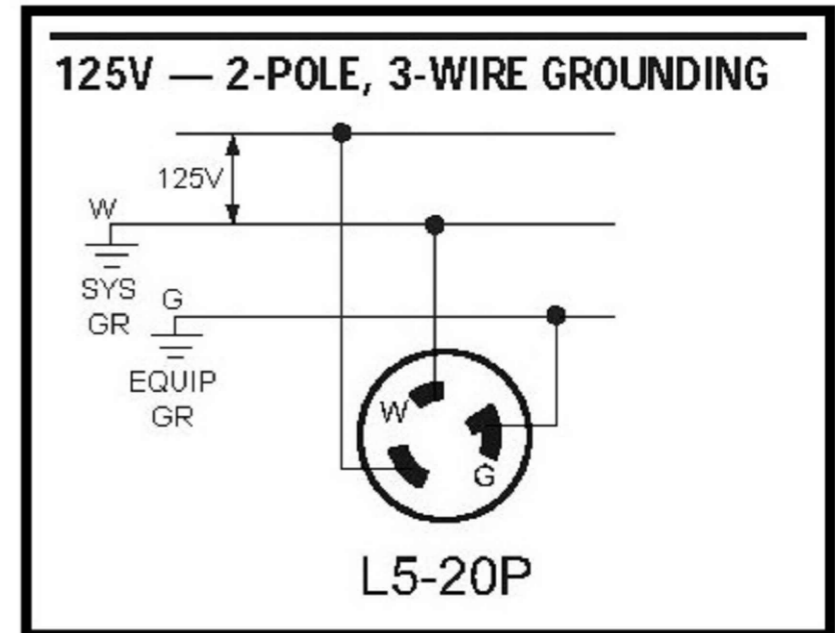
F3 MAX-LOC  
STRAIN RELIEF  
CONNECTOR

#12-3 SOW  
CORD  
BLACK

20A 125V  
L5-20P PLUG  
NYLON  
P/N 26T47 SHOWN  
SEE TABLE



DUPLEX FLIP LID ASSEMBLY  
RUBBER GROMMET  
& POLYCARBONATE LID  
YELLOW  
P/N 60W33DPLX SHOWN  
SEE TABLE



FUNCTIONAL SYMBOLS $F_A=0$ $F_C=0$ $F_P=0$ DIVISIONAL SYMBOLS	THIS DRAWING CONTAINS INFORMATION THAT IS PROPRIETARY TO MOLEX ELECTRONIC TECHNOLOGIES, LLC AND SHOULD NOT BE USED WITHOUT WRITTEN PERMISSION		CURRENT REV DESC: REMOVED OBSOLETE PART NUMBER AS PER PCN#509987.		<b>molex</b> DROP CORD - 1 PHASE FD BOX #12-3 CORD, PLUG PRODUCT CUSTOMER DRAWING
	DIMENSION UNITS	SCALE	EC NO: 693623		
	INCH	NTS	DRWN: SANTHN	2021/11/22	
	GENERAL TOLERANCES (UNLESS SPECIFIED)		CHK'D: SANTHN	2021/12/28	
		mm	INCH	APPR: GGA	2022/03/30
4 PLACES ±---		±---	±---	INITIAL REVISION:	
3 PLACES ±---		±---	±---	DRWN: WLEUNG	2016/11/16
2 PLACES ±---		±---	±---	APPR: HKNEELAN	2016/11/28
1 PLACE ±---		±---	±---	DOCUMENT NUMBER	
0 PLACES ±---		±---	±---	1301370327	PSD 001 D
ANGULAR TOL ± --- °		THIRD ANGLE PROJECTION		MATERIAL NUMBER	CUSTOMER
DRAFT WHERE APPLICABLE MUST REMAIN WITHIN DIMENSIONS				SEE TABLE	RUBB BLDG SYS KENTUCKY
		DRAWING	SERIES	SHEET NUMBER	
		B-SIZE	130137	1 OF 1	