

HEADERS CODINGS

(CODING 2 SHOWN)

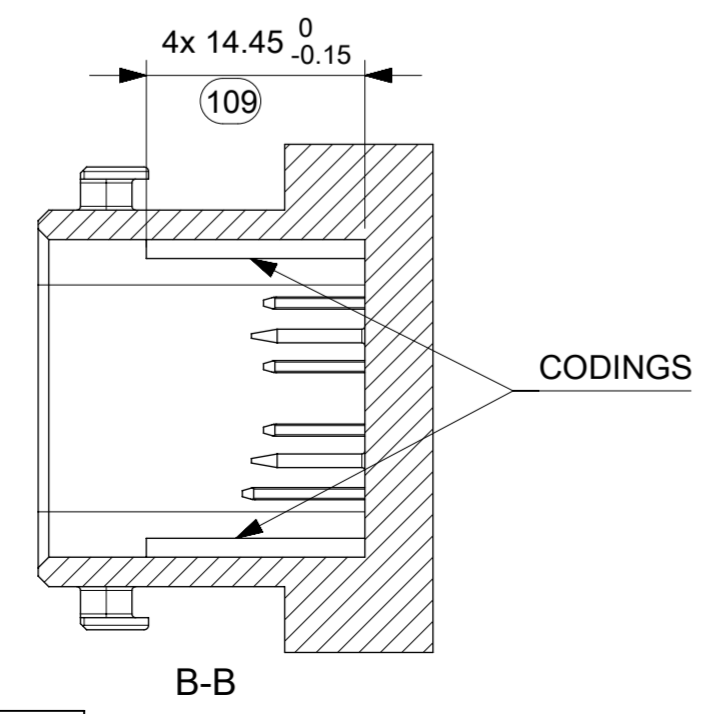
HEADER'S CODINGS FOR MODULE T2 (32W)					
COLOR	CODING	DIM. A	DIM. B	DIM. C	DIM. D
BLACK	1	9.1	4.3	5.9	4.3
GREY	2	7.5	5.9	9.1	5.9
BROWN	3	5.9	7.5	9.1	9.1
GREEN	4	7.5	9.1	4.3	4.3
BLUE	5	4.3	7.5	5.9	5.9
YELLOW	6	9.1	7.5	4.3	7.5

(CODING 3 SHOWN)

HEADER'S CODINGS FOR MODULE T3 (48W)					
COLOR	CODING	DIM. A	DIM. B	DIM. C	DIM. D
BLACK	1	12.9	6.3	8.5	6.3
GREY	2	10.7	8.5	12.9	8.5
BROWN	3	8.5	10.7	12.9	12.9
GREEN	4	10.7	12.9	6.3	6.3
BLUE	5	6.3	10.7	8.5	8.5
YELLOW	6	12.9	10.7	6.3	10.7

NOTE:

- 1- INTERFACE DEFINITION BASED ON NFR13-462 STANDARD.
- 2- HEADER: ELASTICITY MODULUS: 8000Mpa min. (INITIAL CONDITION BEFORE AGEING)



THIS DRAWING CONTAINS INFORMATION THAT IS PROPRIETARY TO MOLEX ELECTRONIC TECHNOLOGIES, LLC AND SHOULD NOT BE USED WITHOUT WRITTEN PERMISSION

DIMENSION UNITS: mm	SCALE: 2:1	CURRENT REV DESC: NX RE-MASTERING	
GENERAL TOLERANCES (UNLESS SPECIFIED)		EC NO: 603689	
ANGULAR TOL	± 2.0°	DRWN: SLAFAURE	2018/07/17
4 PLACES	± 0.10	CHK'D: OPLESSIS	2018/08/31
3 PLACES	± 0.10	APPR: SLAFAURE	2018/09/03
2 PLACES	± 0.10	INITIAL REVISION:	
1 PLACE	± 0.10	DRWN: G.DESBRUERES	2008/10/02
0 PLACES	±	APPR: OPLESSIS	2008/10/06
DRAFT WHERE APPLICABLE MUST REMAIN WITHIN DIMENSIONS	FIRST ANGLE PROJECTION	DRAWING: A2-SIZE	SERIES: 98644

32 & 48CKT CMC INTERFACE

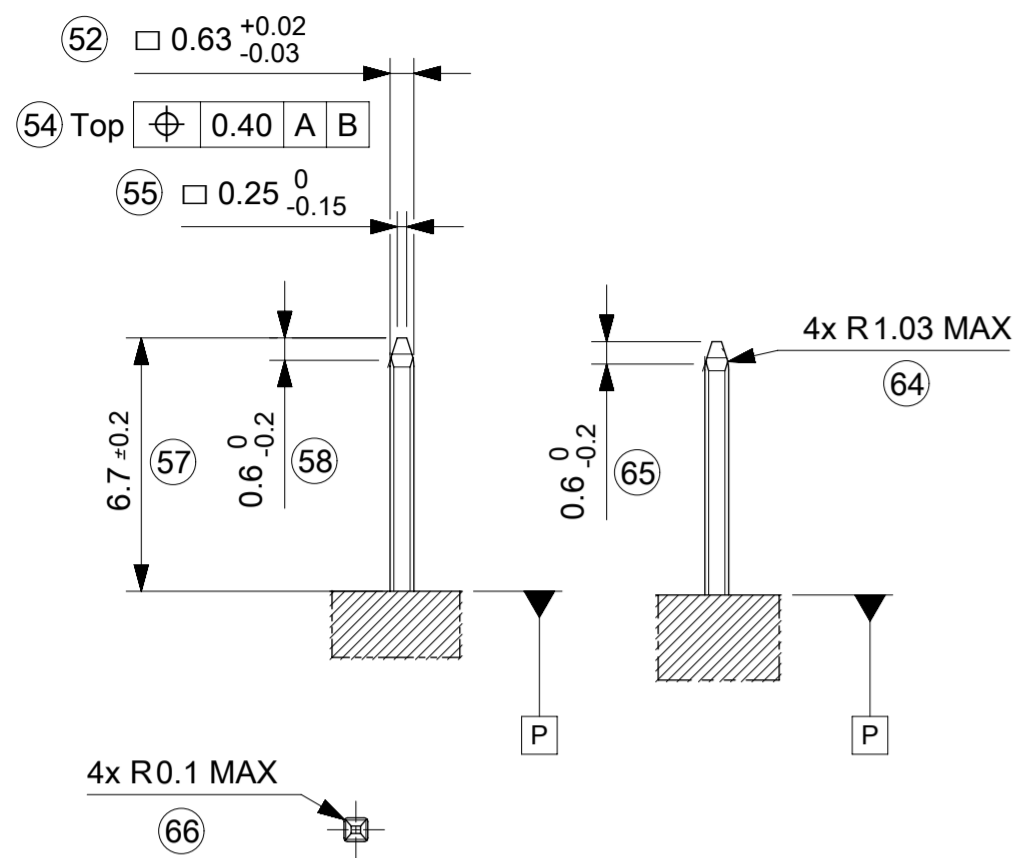
PRODUCT CUSTOMER DRAWING

DOCUMENT NUMBER	DOC TYPE	DOC PART	REVISION
SD-98644-006	PSD	001	B1

MATERIAL NUMBER	CUSTOMER	SHEET NUMBER
N/A	GENERAL MARKET	1 OF 3

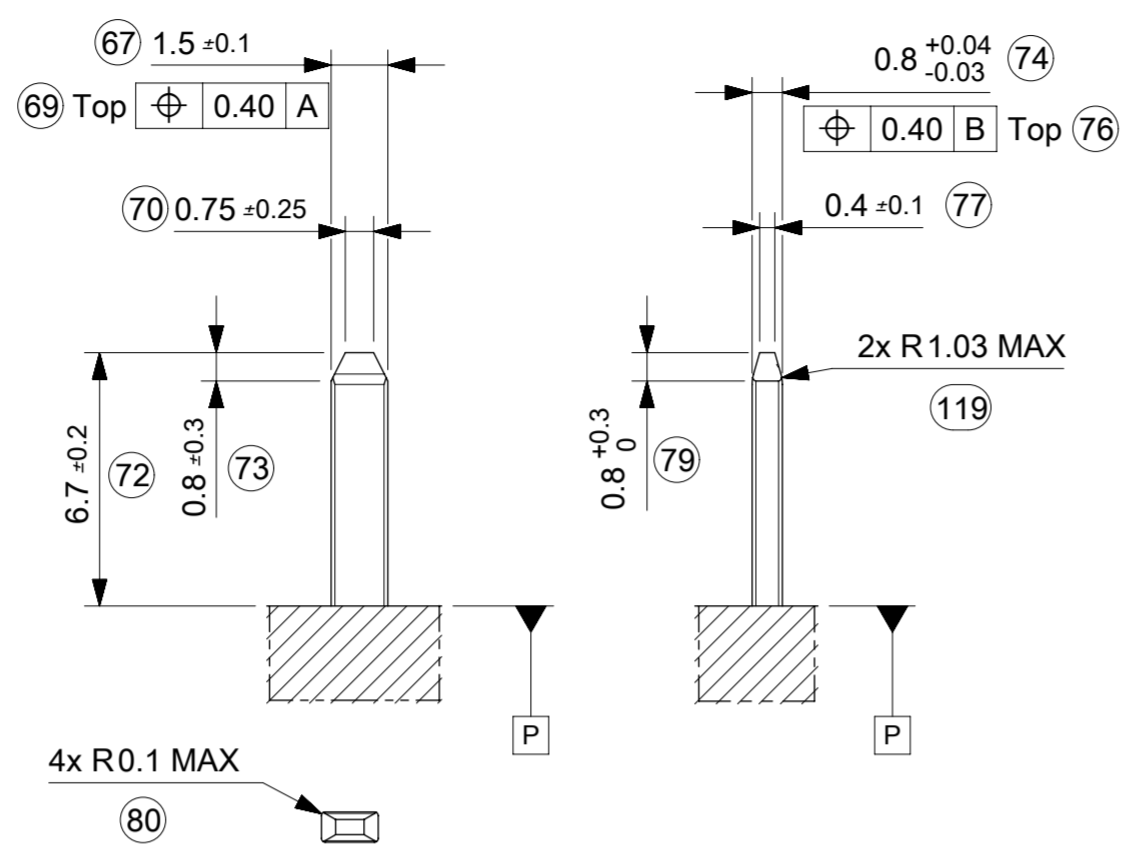
PINS 0.635 DEFINITION

5:1



TABS 1.5 DEFINITION

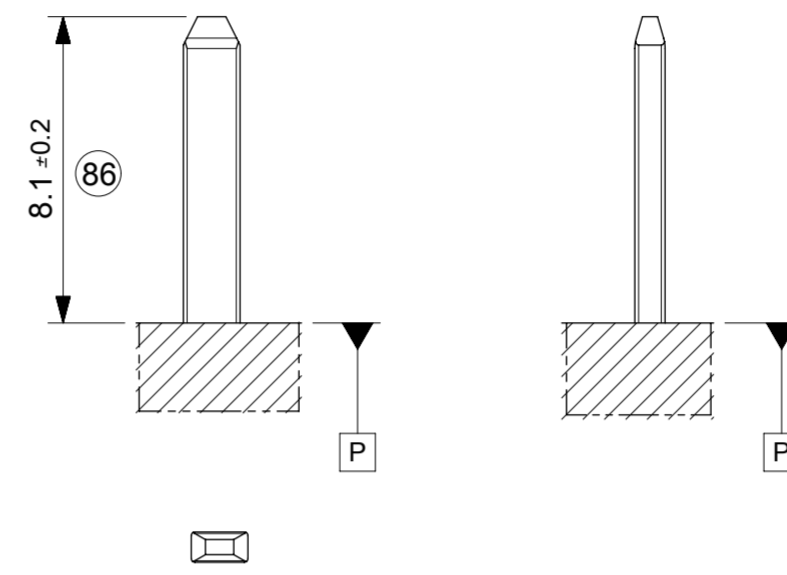
5:1



GROUND TABS 1.5 DEFINITION

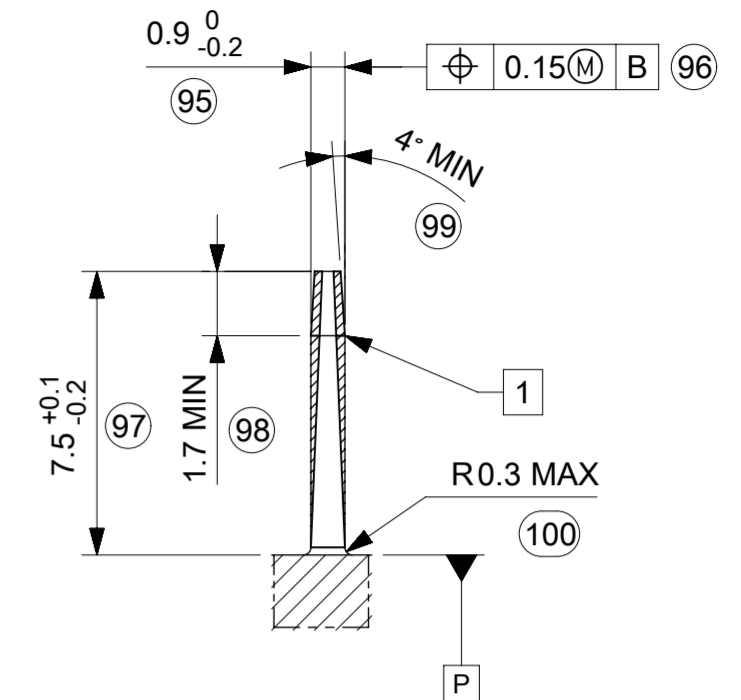
5:1

FOR OTHER DIMENSIONS
SEE TABS 1.5 DEFINITION



PROTECTION WALL DEFINITION

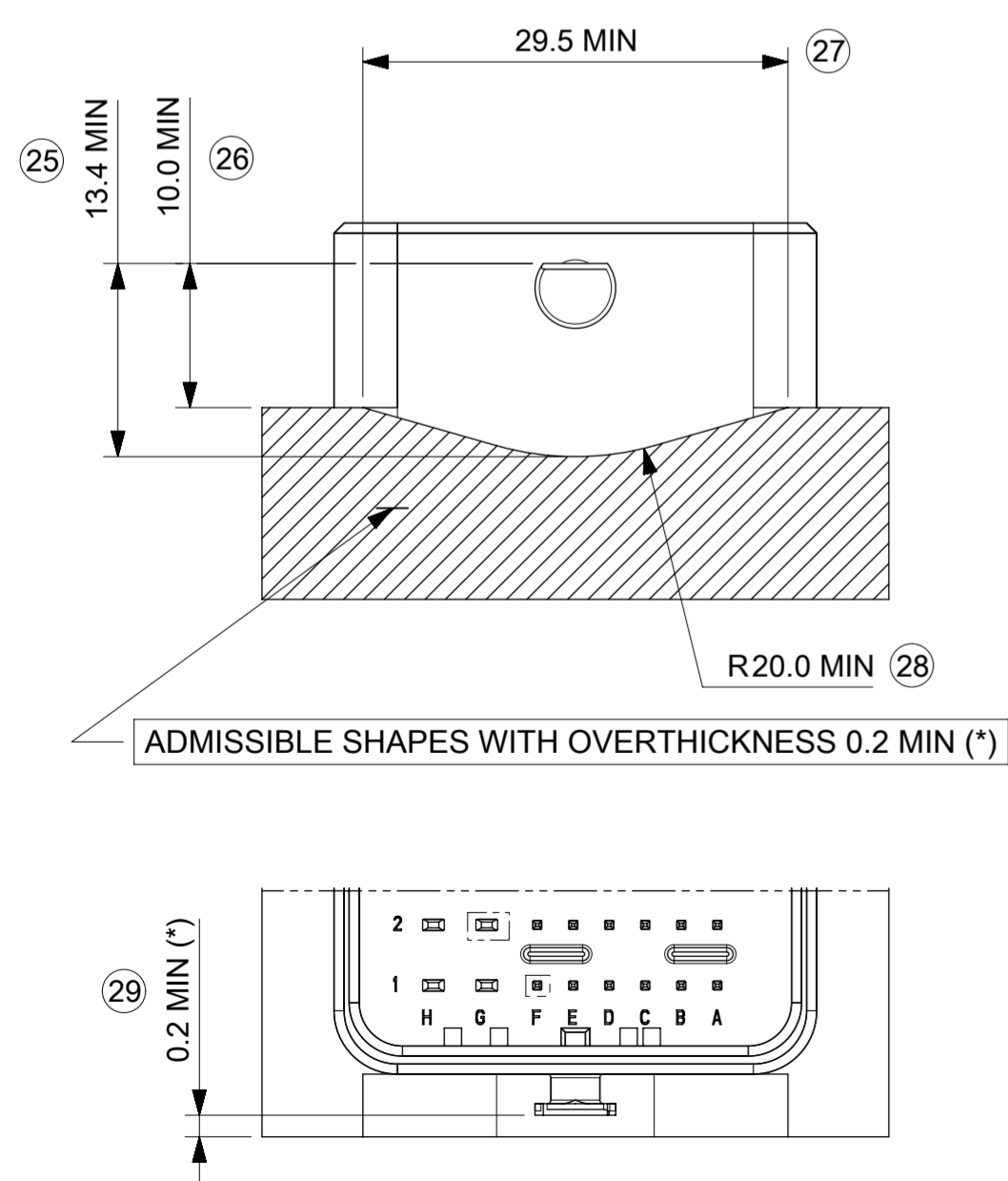
5:1



LOCKING AXIS PROTECTION

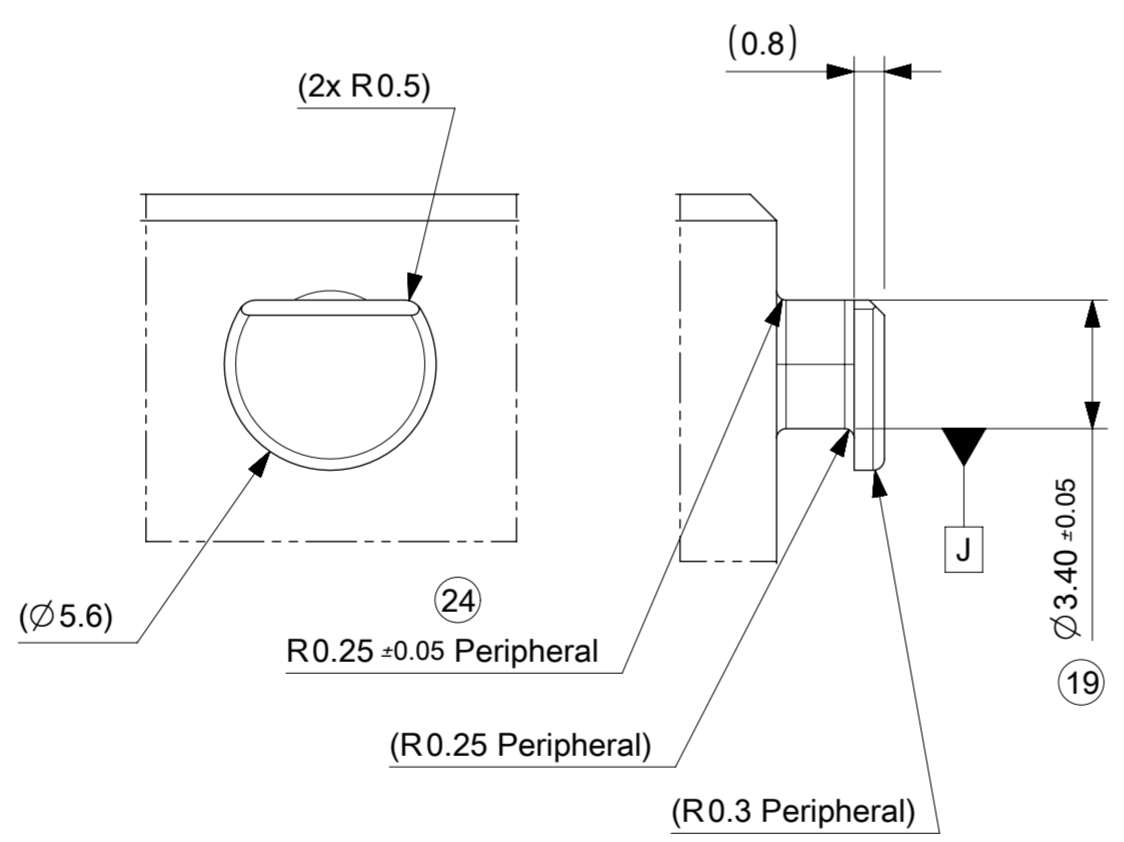
5:1

MANDATORY OVERTHICKNESS: dimension noted (*)
IF THE LOCKING AXIS ARE OUT OF
EQUIPMENT OVERALL DIMENSIONS.



LOCKING AXIS DEFINITION

5:1



THIS DRAWING CONTAINS INFORMATION THAT IS PROPRIETARY TO MOLEX ELECTRONIC TECHNOLOGIES, LLC AND SHOULD NOT BE USED WITHOUT WRITTEN PERMISSION

DIMENSION UNITS	SCALE	CURRENT REV DESC: NX RE-MASTERING	
mm	1:1		
GENERAL TOLERANCES (UNLESS SPECIFIED)			
ANGULAR TOL	± 2.0°	EC NO:	603689
4 PLACES	± 0.1	DRWN:	GMANIVANNAN 2018/07/17
3 PLACES	± 0.1	CHK'D:	OPLESSIS 2018/08/31
2 PLACES	± 0.1	APPR:	SLAFAURE 2018/09/03
1 PLACE	± 0.1	INITIAL REVISION:	
0 PLACES	±	DRWN:	GDESBRUERES 2008/10/02
		APPR:	OPLESSIS 2008/10/06
DRAFT WHERE APPLICABLE MUST REMAIN WITHIN DIMENSIONS	FIRST ANGLE PROJECTION	DRAWING	SERIES
		A2-SIZE	98644
DOCUMENT STATUS	P1	RELEASE DATE	2018/09/03 08:17:38

molex

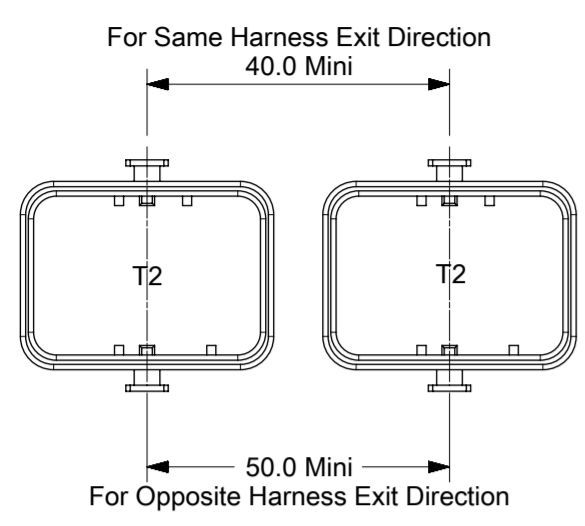
32 & 48CKT CMC INTERFACE

PRODUCT CUSTOMER DRAWING

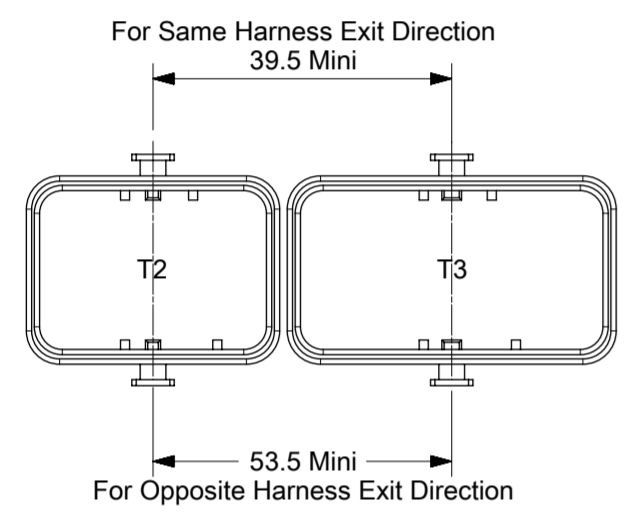
DOCUMENT NUMBER	DOC TYPE	DOC PART	REVISION
SD-98644-006	PSD	001	B1

MATERIAL NUMBER	CUSTOMER	SHEET NUMBER
N/A	GENERAL MARKET	2 OF 3

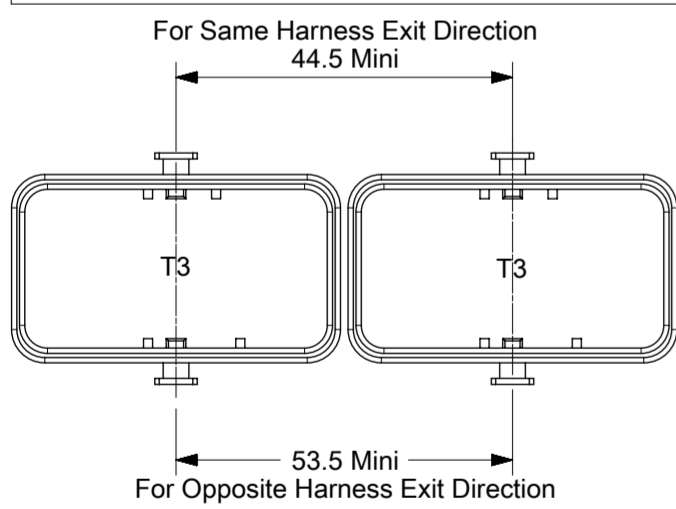
LAYOUT FOR TWO INTERFACES T2 (32W)



LAYOUT FOR TWO INTERFACES T2 (32W) AND T3 (48W)



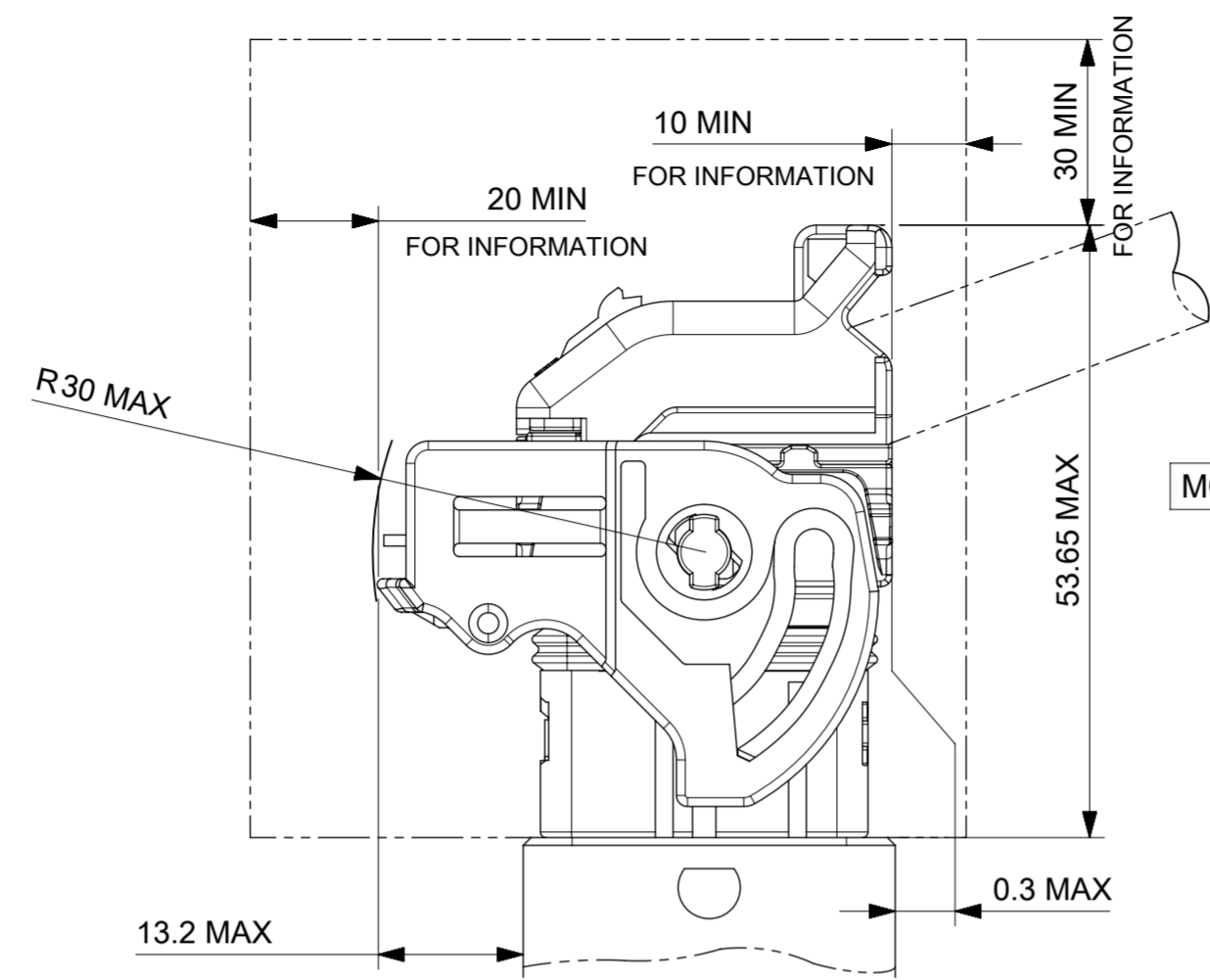
LAYOUT FOR TWO INTERFACES T3 (48W)



MULTI - HEADERS LAYOUT

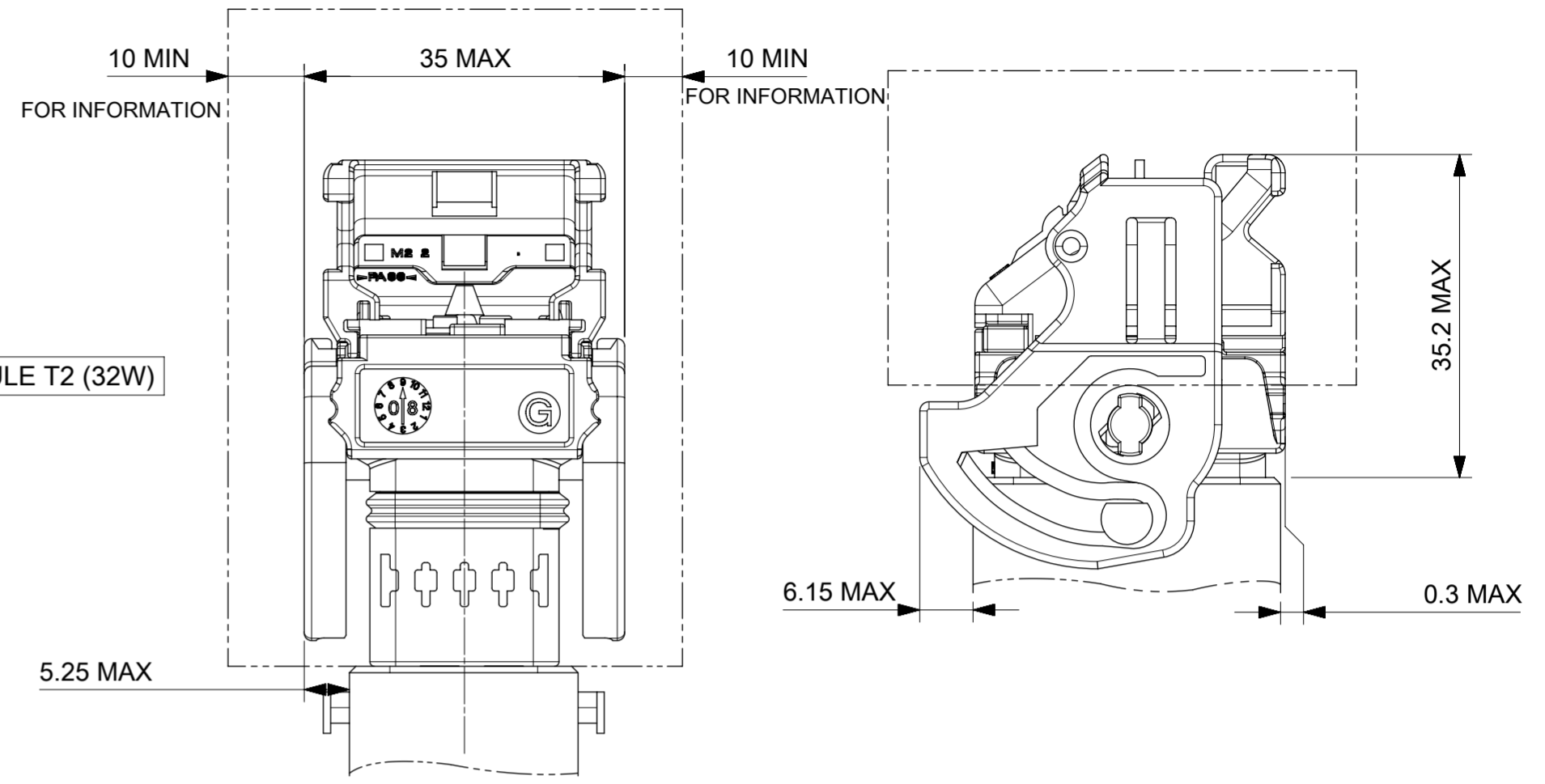
CONNECTOR ON HEADER - OVERALL DIMENSIONS

UNLOCKED CONNECTOR - OVERALL DIMENSIONS

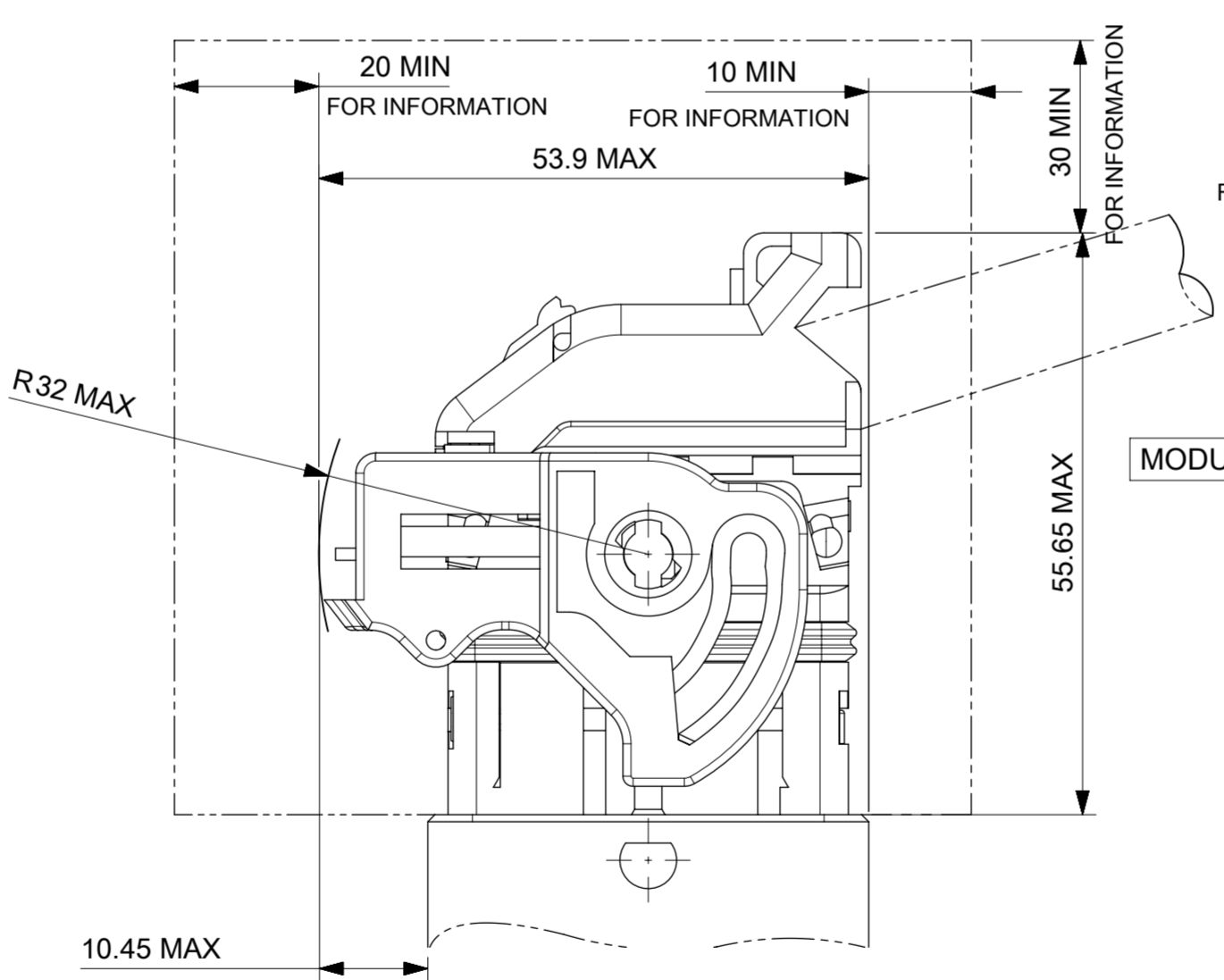


MODULE T2 (32W)

LOCKED CONNECTOR - OVERALL DIMENSIONS

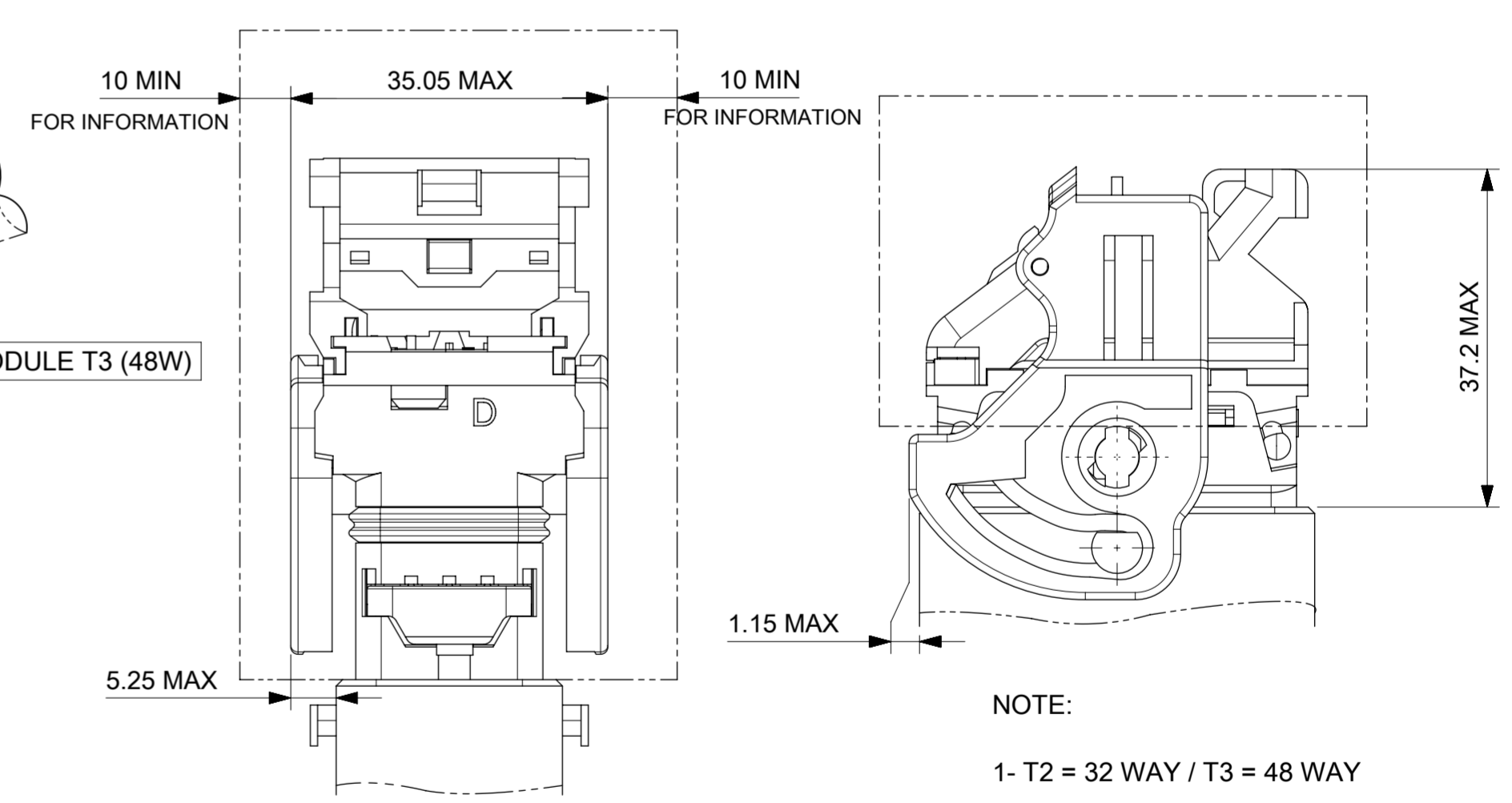


UNLOCKED CONNECTOR - OVERALL DIMENSIONS

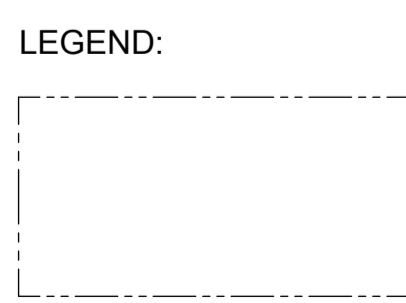


MODULE T3 (48W)

LOCKED CONNECTOR - OVERALL DIMENSIONS



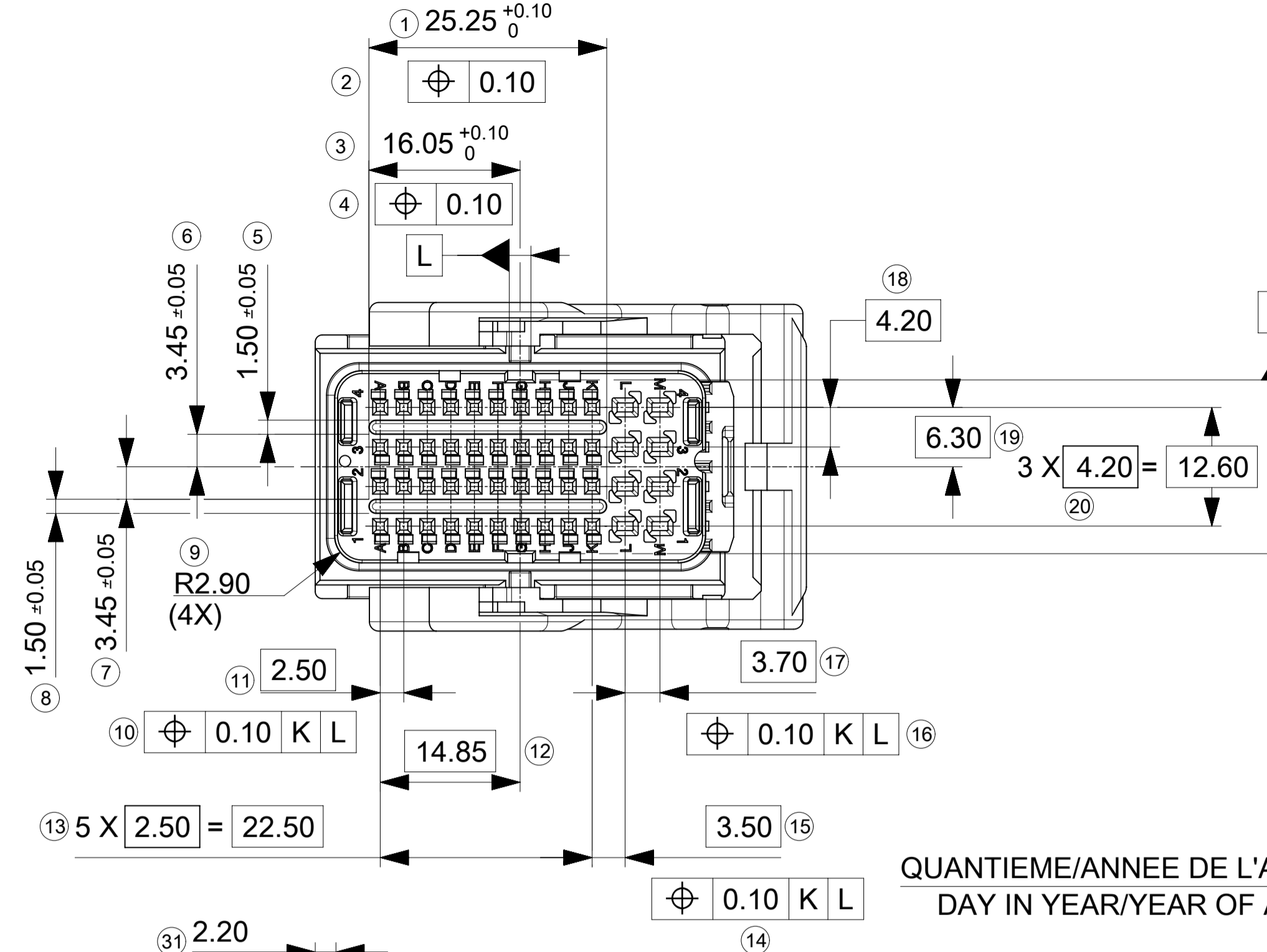
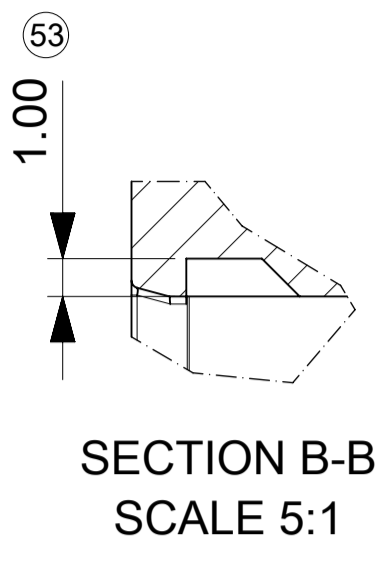
NOTE:
1- T2 = 32 WAY / T3 = 48 WAY



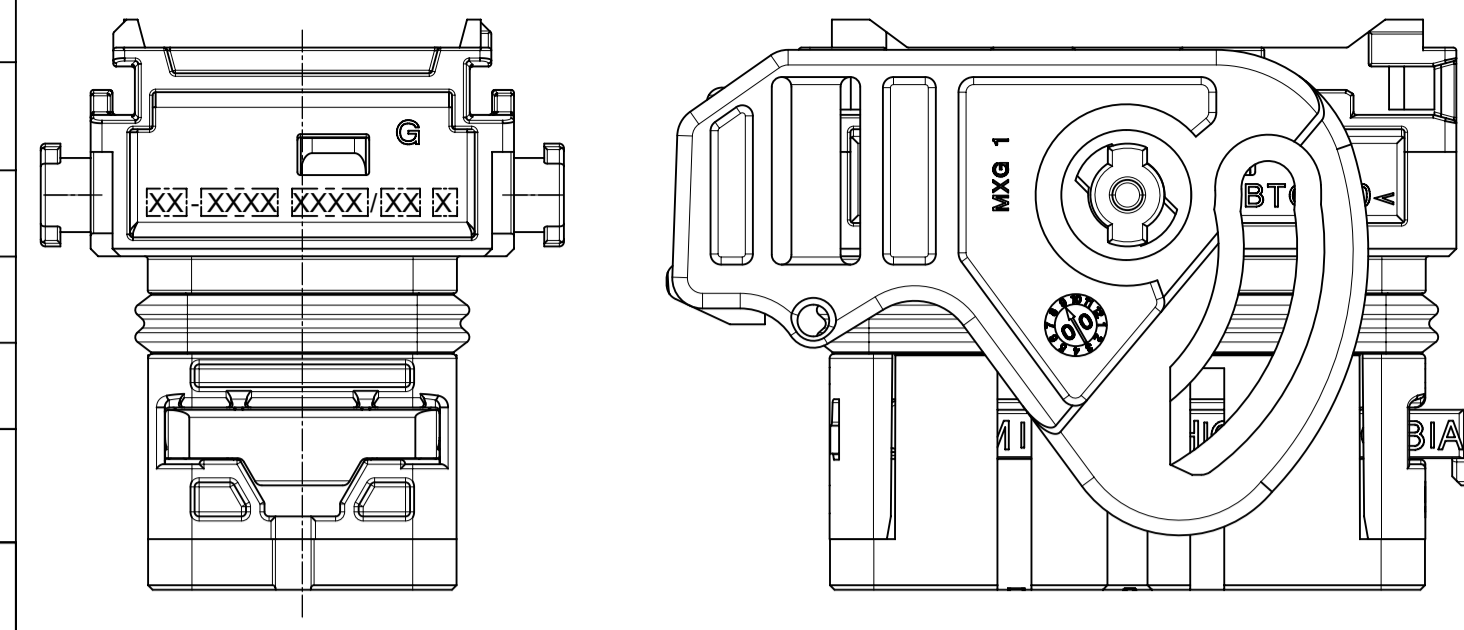
LEGEND:
FREE VOLUME FOR MANUAL LOCKING AND UNLOCKING
DIMENSIONS GIVEN FOR INFORMATION ONLY BE
CONFIRMED BASED UPON VEHICLE CONFIGURATION.

THIS DRAWING CONTAINS INFORMATION THAT IS PROPRIETARY TO MOLEX ELECTRONIC TECHNOLOGIES, LLC AND SHOULD NOT BE USED WITHOUT WRITTEN PERMISSION

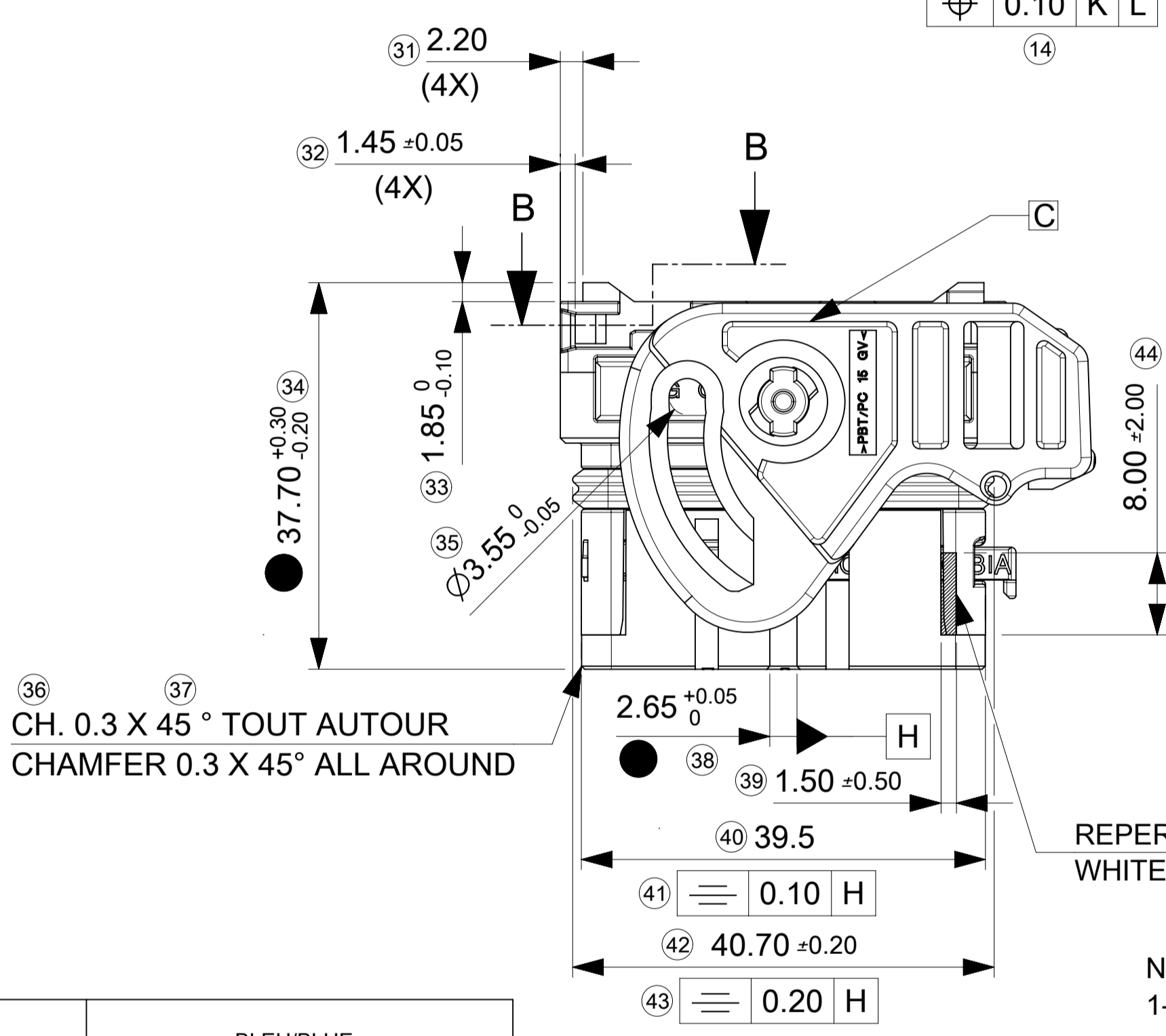
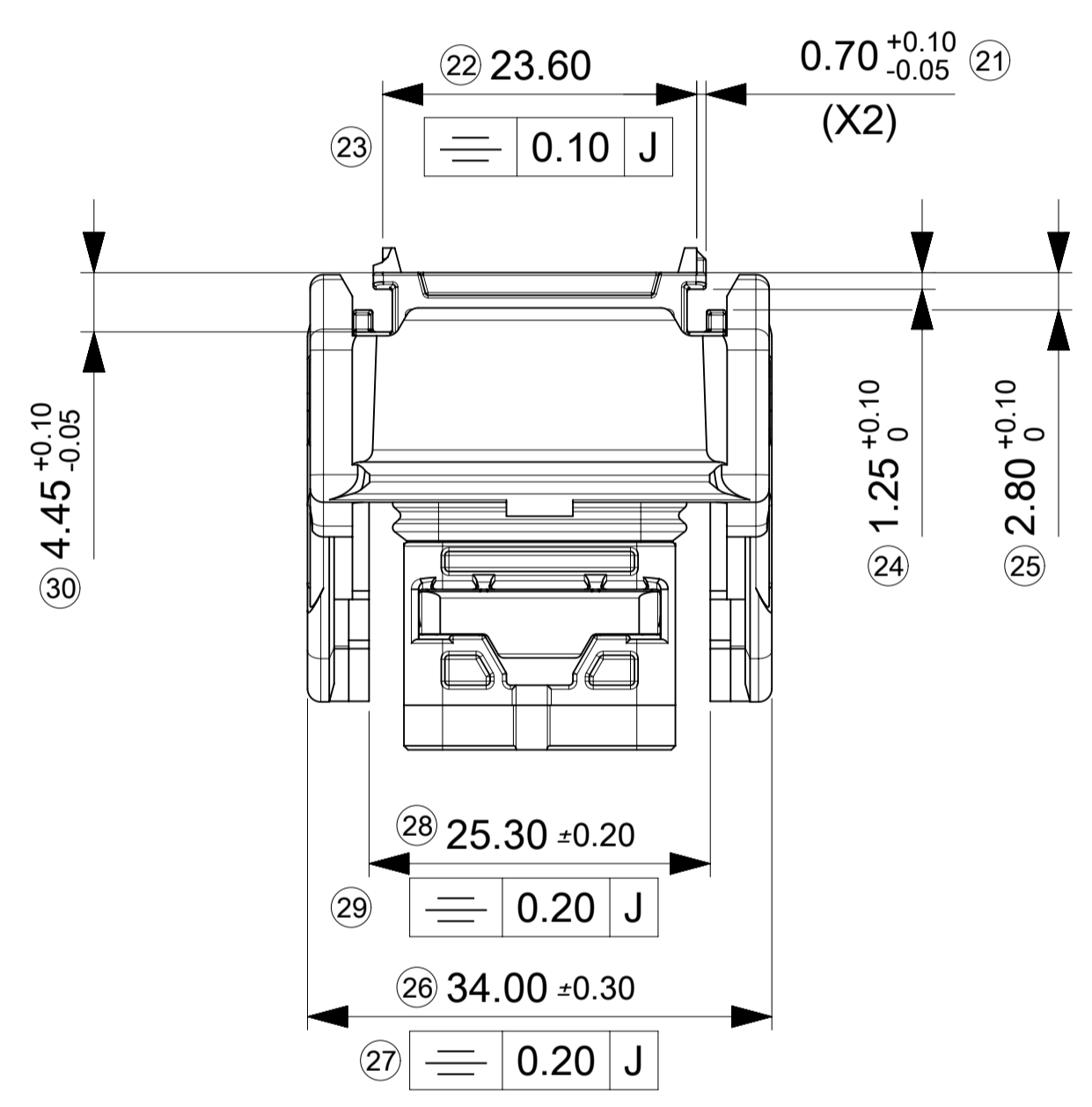
DIMENSION UNITS	SCALE	CURRENT REV DESC: NX RE-MASTERING		
mm	1:1			
GENERAL TOLERANCES (UNLESS SPECIFIED)				
ANGULAR TOL	± 2.0°	EC NO:	603689	
4 PLACES	± 0.1	DRWN:	SLAFAURE	2018/07/17
3 PLACES	± 0.1	CHK'D:	OPLESSIS	2018/08/31
2 PLACES	± 0.1	APPR:	SLAFAURE	2018/09/03
1 PLACE	± 0.1	INITIAL REVISION:		
0 PLACES	±	DRWN:	GDESBRUERES	2008/10/02
		APPR:	OPLESSIS	2008/10/06
DRAFT WHERE APPLICABLE MUST REMAIN WITHIN DIMENSIONS	FIRST ANGLE PROJECTION	DRAWING	SERIES	MATERIAL NUMBER
		A2-SIZE	98644	N/A
DOCUMENT STATUS	P1	RELEASE DATE	2018/09/03	08:17:38
		CUSTOMER	GENERAL MARKET	
		DOCUMENT NUMBER	SD-98644-006	DOC TYPE
		DOC PART	001	REVISION
				B1
		SHEET NUMBER	3 OF 3	



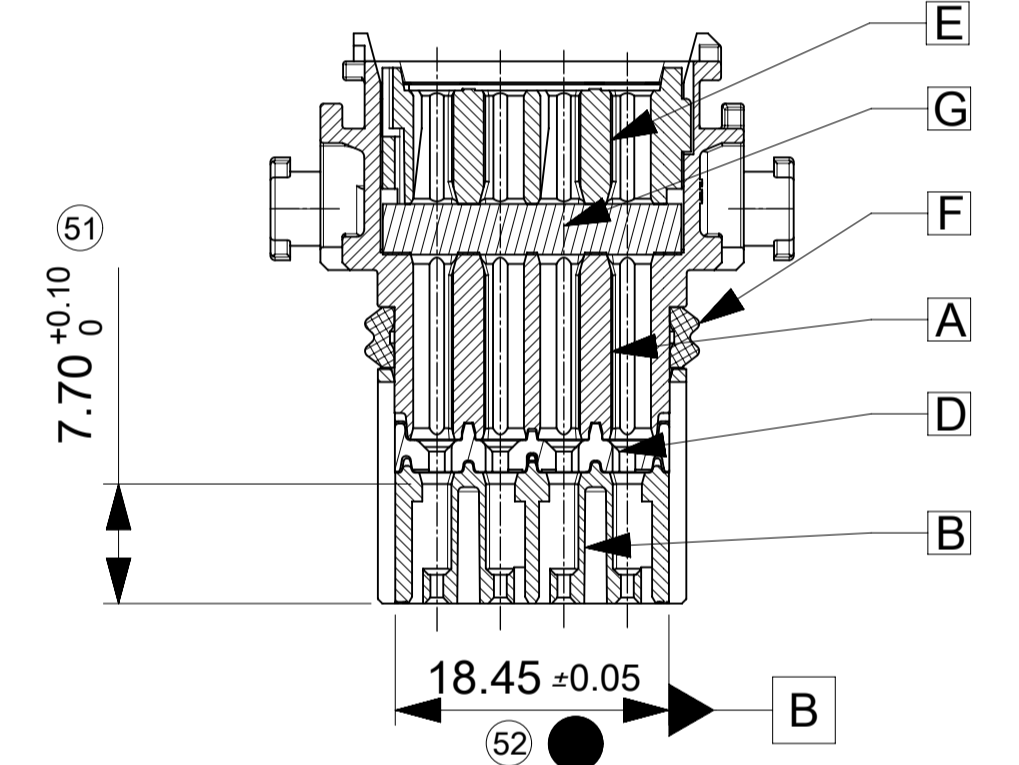
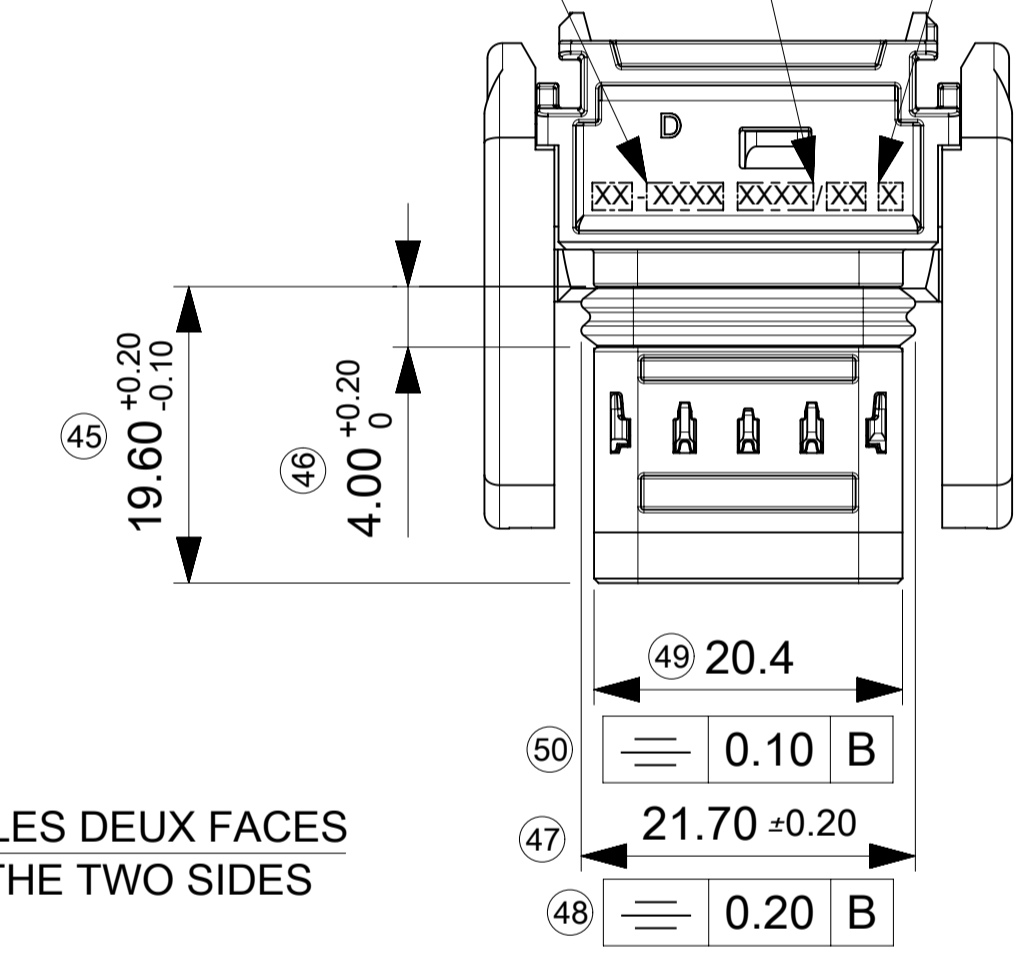
PORTE-CLIPS 48 VOIES SORTIE DROITE FEMALE MODULE 48 WAY RIGHT WIRE OUTPUT	
REF. MOLEX MOLEX PART NUMBER	COULEUR/COLOUR
0989502002	GRIS/GREY
0989502004	VERT/GREEN
0989502005	BLEU/BLUE
PORTE-CLIPS 48 VOIES SORTIE GAUCHE FEMALE MODULE 48 WAY LEFT WIRE OUTPUT	
REF. MOLEX MOLEX PART NUMBER	COULEUR/COLOUR
0989503001	NOIR/BLACK
0989503002	GRIS/GREY
0989503004	VERT/GREEN
0989503005	BLEU/BLUE



(LEVIER NON REPRESENTE)
(LEVER NOT SHOWN)
LETTRE G VISIBLE; SORTIE GAUCHE
LETTRE G VISIBLE; LEFT WIRE OUTPUT



QUANTIEME/ANNEE DE L'ASSEMBLAGE
DAY IN YEAR/YEAR OF ASSEMBLY
IMPRESSION JET D'ENCRE
INK JET PRINTING
REFERENCE MOLEX
MOLEX PART NUMBER
INDICE DE REVISION DU PLAN CLIENT
CUSTOMER DRAWING REVISION LEVEL

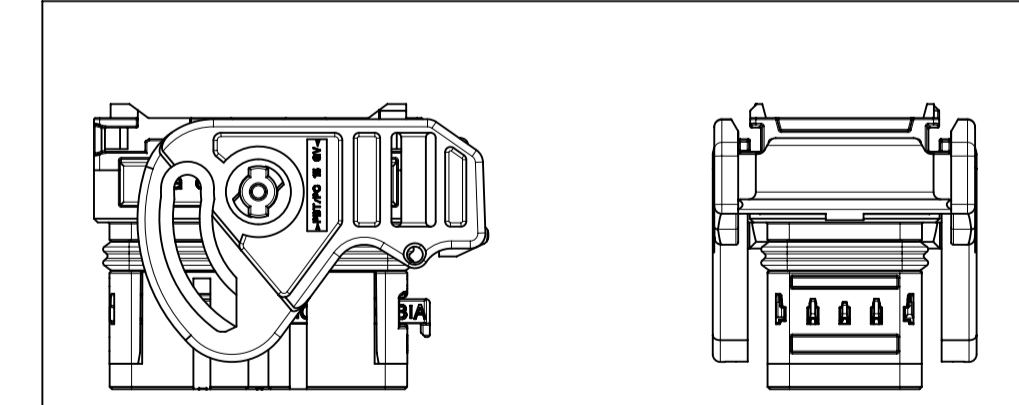


CH. 0.3 X 45° TOUT AUTOUR
CHAMFER 0.3 X 45° ALL AROUND

REPERE BLANC SUR LES DEUX FACES
WHITE MARKING ON THE TWO SIDES

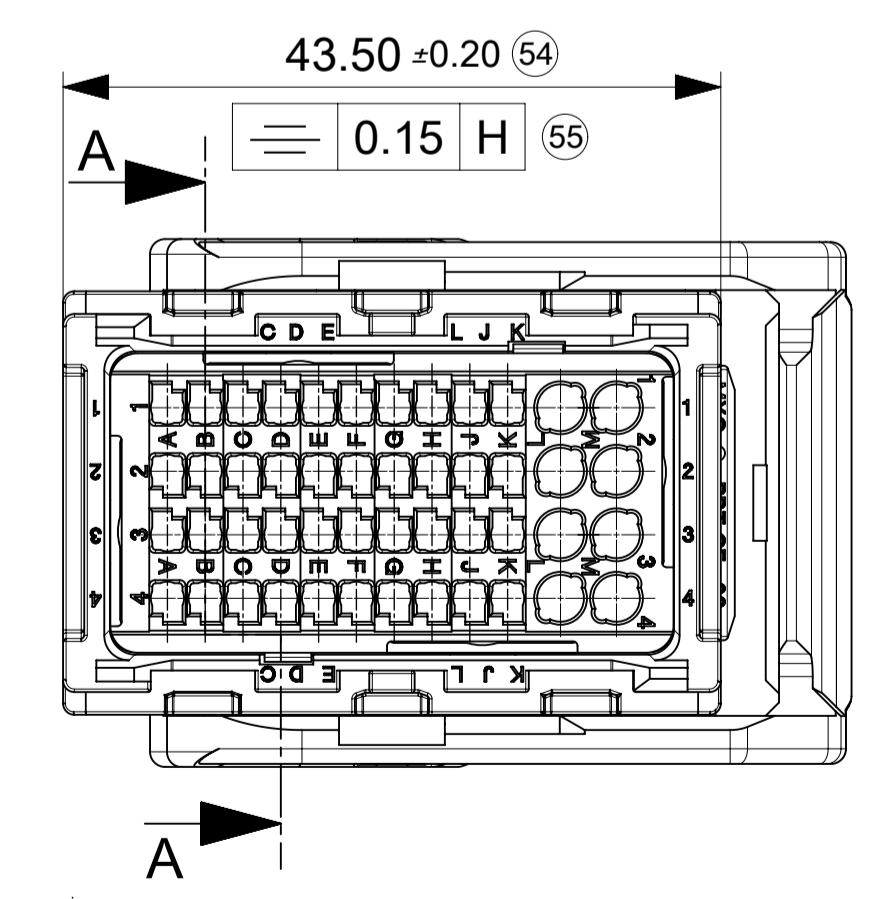
NOTES:

- LE PORTE-CLIPS ASSEMBLE REPRESENTE EST LA VERSION SORTIE DROITE CODAGE 1
FOR ILLUSTRATION PURPOSE THE FEMALE MODULE SHOWN IS THE RIGHT WIRE OUTPUT VERSION CODING 1
- IMPLANTATION DES CLIPS, ENCOMBREMENTS, DETROMPAGE SUIVANT INTERFACE CONNECTIQUE PSA STE 9629500099 ET RENAULT 7710 001 079
CLIPS LAYOUT, CODING FOLLOWING PSA INTERFACE CONNECTIQUE STE 9629500099 AND RENAULT 7710 001 079
- REFERENCE DES CONNEXIONS SUIVANT STE 9637276380 ET STE 9628421380
TERMINAL PART NUMBER FOLLOWING STE 9637276380 AND STE 9628421380
- PRODUIT CONFORME A LA SPECIFICATION PSA STE 9629568099
PRODUCT IN ACCORDANCE WITH PSA SPECIFICATION STE 9629568099
- CAHIER DE PRECONISATION : RAS-98644-005
APPLICATION SPECIFICATION : RAS-98644-005
- LE PORTE-CLIPS EQUIPE S'ASSEMBLE AVEC LE CAPOT REFERENCE : 0986551003
THE ASSEMBLED FEMALE MODULE IS ASSEMBLED WITH THE COVER PART NUMBER : 0986551003
- POIDS PIECE: 36,080 g
PART WEIGHT: 36,080 g



ECHELLE 1:1
SCALE 1:1

0986570002	G	JOINT GEL GROMMET GEL GROMMET SEAL	SILICONE	BLEU/BLUE
0986560002	F	JOINT INTERFACIAL PERIMETER SEAL	SILICONE	ROUGE/RED
0986541001	E	GRILLE DE COMPRESSION REAR SEAL COVER	PBTP 20% G.F.	BLEU/BLUE
0986531001	D	DOUBLE VERROUILLAGE SECONDARY LOCKING	PBTP 30% G.F.	GRIS/GREY
0986521001	C	LEVIER/LEVER	PBT+PC-GF 15%	GRIS/GREY
0986511005	B	BOITIER INFERIEUR BOTTOM HOUSING	PBTP 20% G.F.	BLEU/BLUE
0986511004				VERT/GREEN
0986511003				MARRON/BROWN
0986511002				GRIS/GREY
0986511001				NOIR/BLACK
0986501001	A	BOITIER SUPERIEUR TOP HOUSING	PBTP 20% G.F.	NOIR/BLACK
REF. MOLEX MOLEX PART NUMBER	REP.	DESIGNATION	MATIERE/MATERIAL	COULEUR/COLOUR



INDICATION DIMENSIONS S.P.C
DENOTES S.P.C DIMENSIONS

INDICATION DIMENSIONS CRITIQUES
DENOTES CRITICAL DIMENSIONS

INDICATION DIMENSIONS FONCTIONNELLES
DENOTES FUNCTIONAL DIMENSIONS

QUANTITE PAR FEUILLE INDIVIDUELLE
QUANTITY PER INDIVIDUAL SHEET

0 0 3

THIS DRAWING CONTAINS INFORMATION THAT IS PROPRIETARY TO MOLEX ELECTRONIC TECHNOLOGIES, LLC AND SHOULD NOT BE USED WITHOUT WRITTEN PERMISSION

DIMENSION UNITS mm	SCALE 2:1	CURRENT REV DESC: OBSOLETE PART NUMBER
GENERAL TOLERANCES (UNLESS SPECIFIED)		EC NO: 632260
4 PLACES ±	±	DRWN: VLOKESHA 2020/02/06
3 PLACES ±	±	CHK'D: GGA 2020/02/28
2 PLACES ±	0.1	APPR: GGA 2020/02/28
1 PLACE ±	0.15	INITIAL REVISION:
0 PLACES ±	±	DRWN: PGR 1998/12/13
ANGULAR TOL ±	1.0°	APPR: CBO 2000/02/02
DRAFT WHERE APPLICABLE MUST REMAIN WITHIN DIMENSIONS	FIRST ANGLE PROJECTION	DRAWING A1-SIZE
		SERIES 98950
		MATERIAL NUMBER SEE CHART
		CUSTOMER GENERAL MARKET
		SHEET NUMBER 1 OF 2

moLEX

PORTE-CLIPS 48 VOIES CMC
FEMALE MODULE CMC 48 WAY SALES DRAWING

PRODUCT CUSTOMER DRAWING

DOCUMENT NUMBER
SD-98950-010

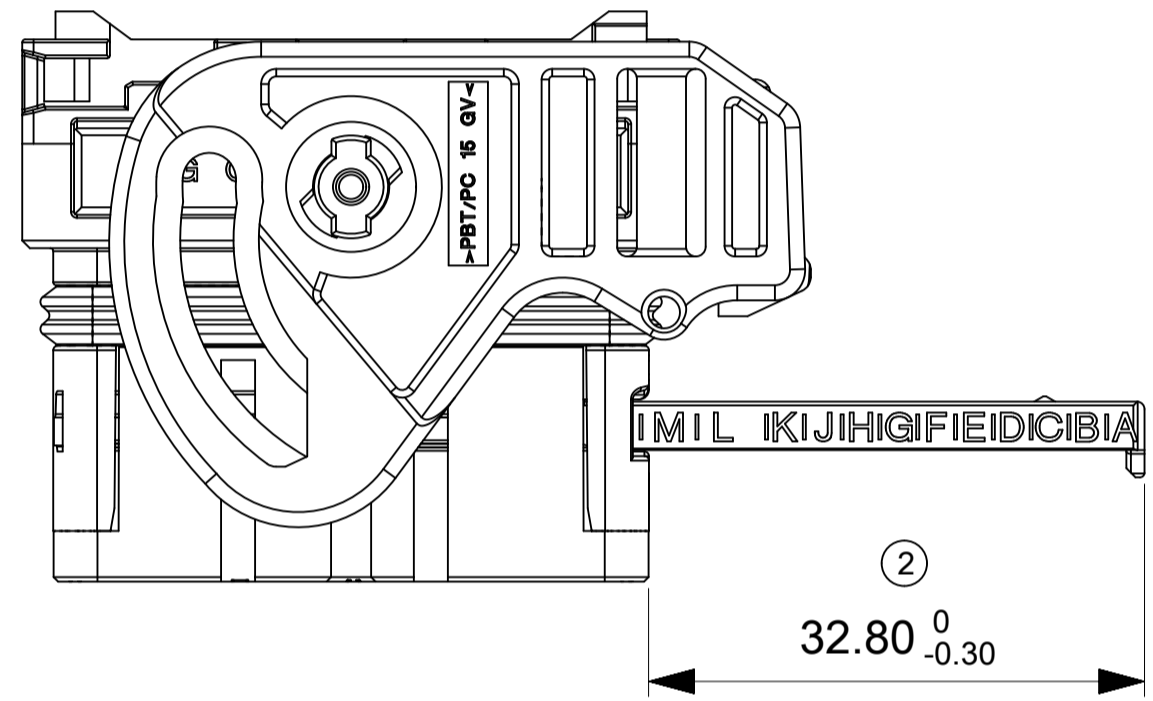
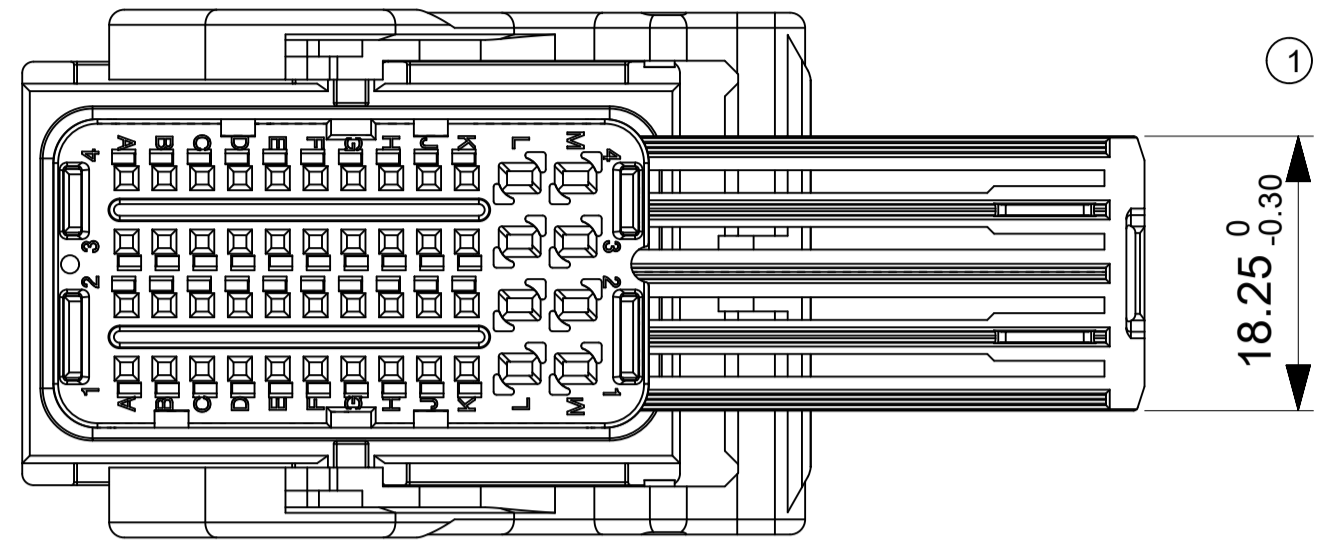
DOC TYPE
PSD

DOC PART
001

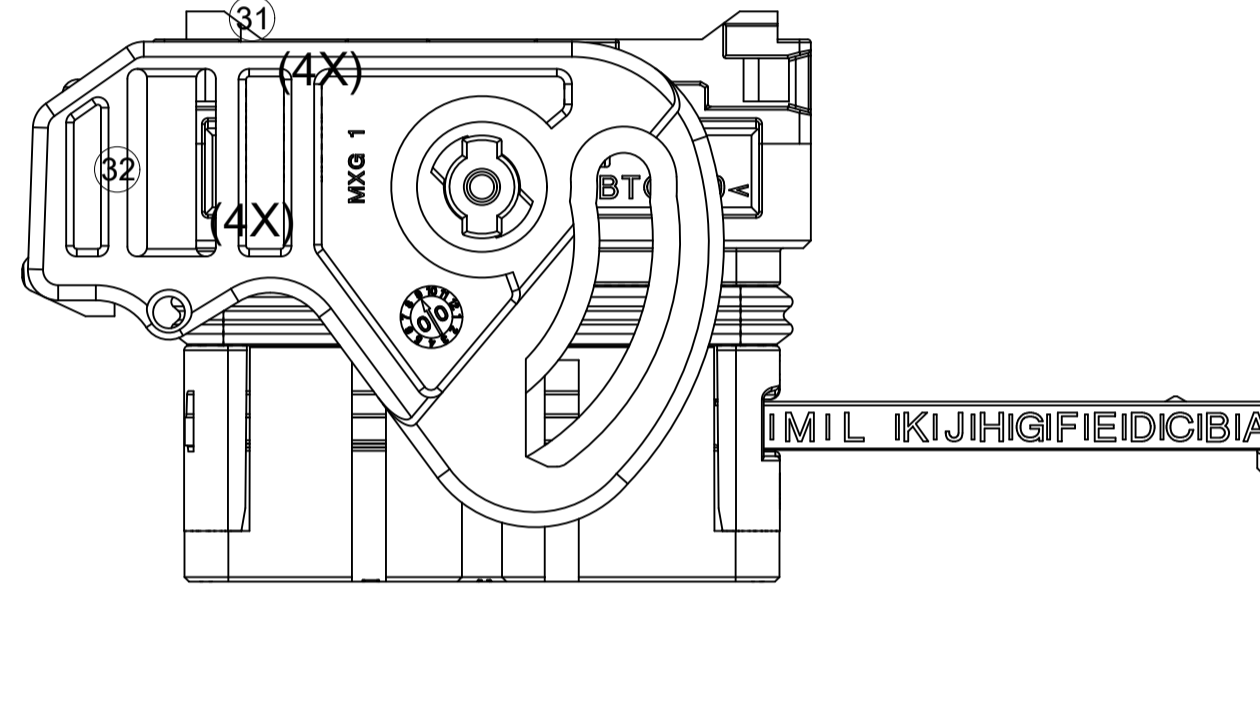
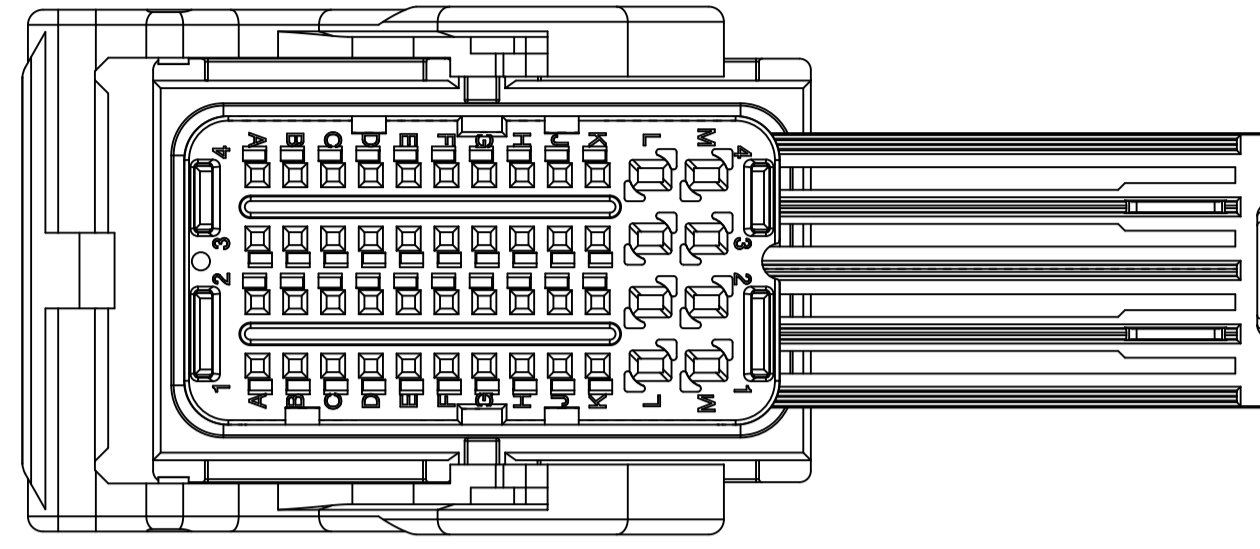
REVISION
D

ENCOMBREMENT PORTE-CLIPS D.V. POSITION MONTAGE CLIP
FEMALE MODULE LAYOUT SECONDARY LOCKING POSITION FOR CLIP ASSEMBLY

PORTE-CLIPS SORTIE DROITE
FEMALE MODULE RIGHT WIRE OUTPUT

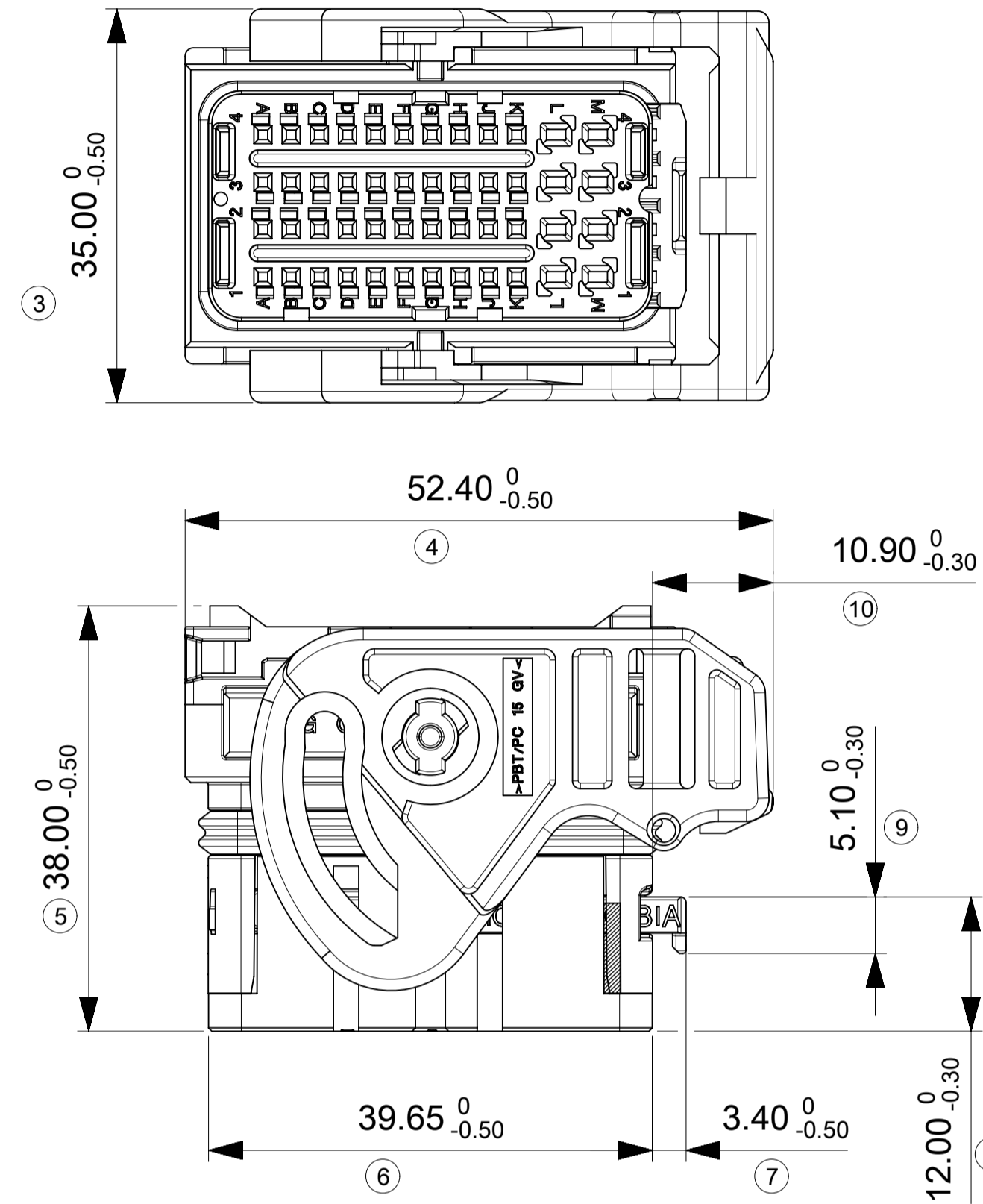


PORTE-CLIPS SORTIE GAUCHE
FEMALE MODULE LEFT WIRE OUTPUT

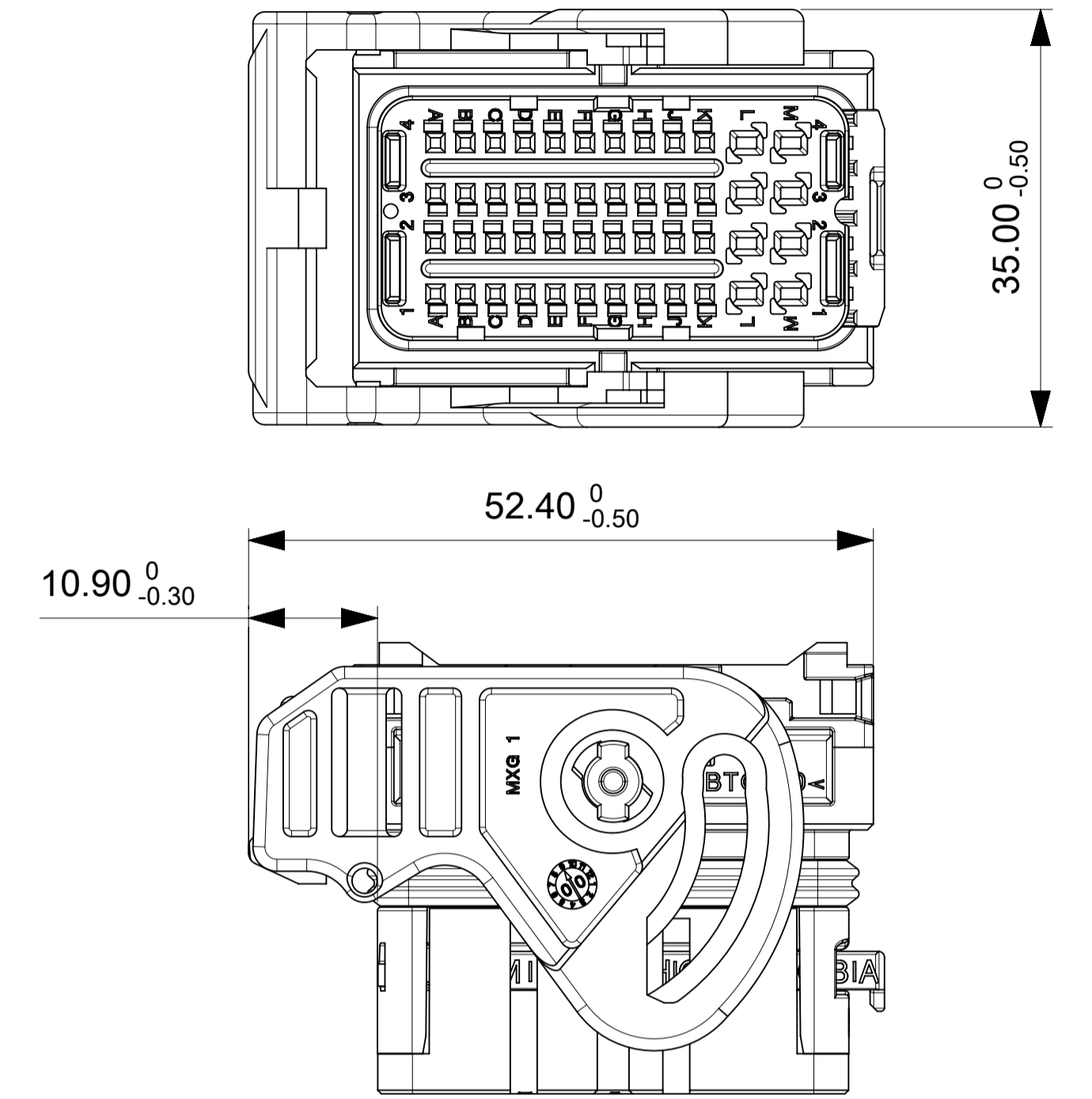


ENCOMBREMENT PORTE-CLIPS D.V. POSITION LIVRAISON
FEMALE MODULE LAYOUT SECONDARY LOCKING IN DELIVERY POSITION

PORTE-CLIPS SORTIE DROITE
FEMALE MODULE RIGHT WIRE OUTPUT



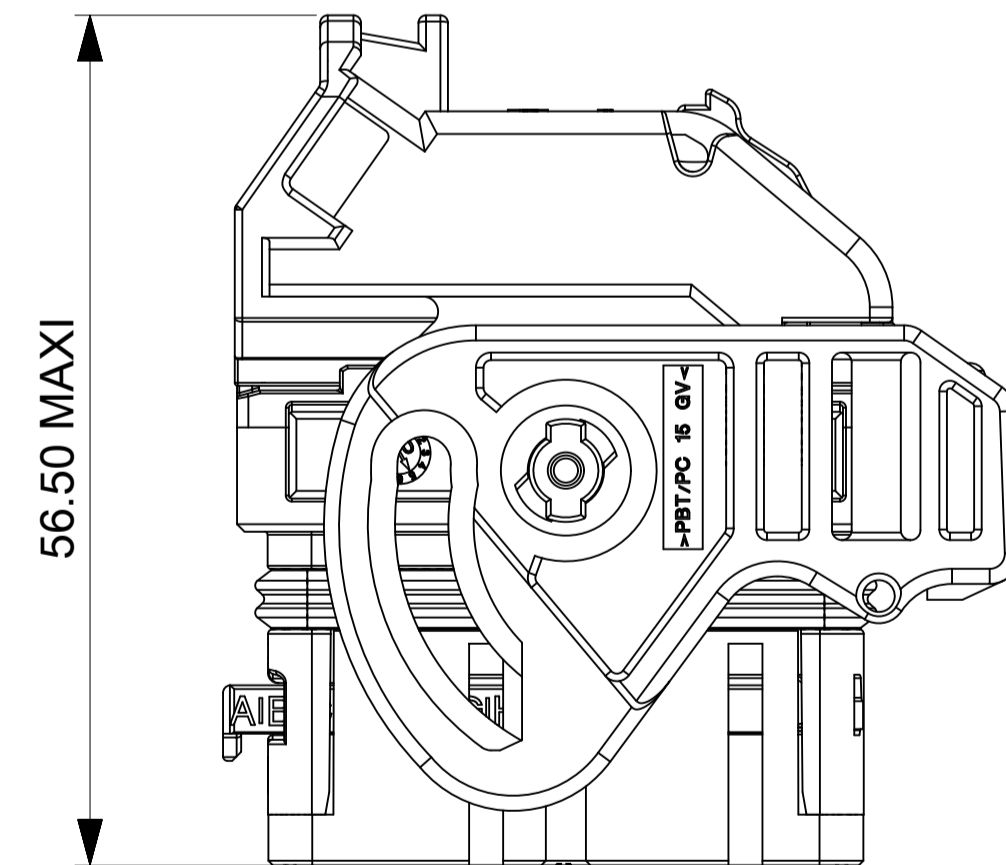
PORTE-CLIPS SORTIE GAUCHE
FEMALE MODULE LEFT WIRE OUTPUT



POSITION DES DETROMPAGES
CODING POSITION

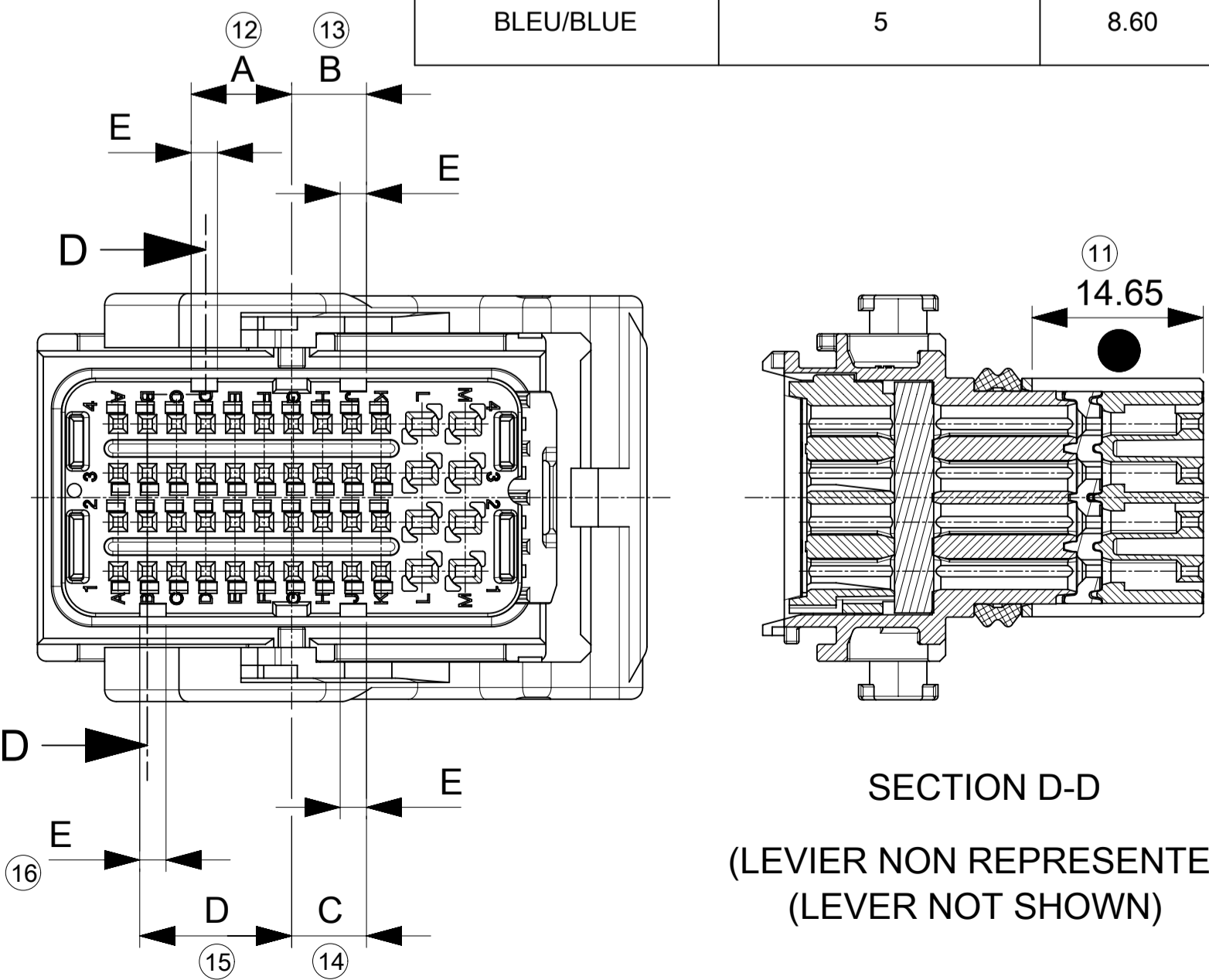
COULEUR/COLOUR	DETROMPAGE/CODING	A ₀ ^{+0.10}	B ₀ ^{+0.10}	C ₀ ^{+0.10}	D ₀ ^{+0.10}	E ₀ ^{+0.10}
NOIR/BLACK	1	8.60	6.40	6.40	12.95	2.25
GRIS/GREY	2	12.95	8.60	8.60	10.75	2.25
MARRON/BROWN	3	12.95	12.95	10.75	8.60	2.25
VERT/GREEN	4	6.40	6.40	12.95	10.75	2.25
BLEU/BLUE	5	8.60	8.60	10.75	6.40	2.25

ENCOMBREMENT HORS-TOUT
OVERALL DIMENSION



CONTACTS
FEMALE TERMINAL

REPÈRE ALVEOLES CAVITIES NUMBER	CONTACTS FEMALE TERMINAL	REF. MOLEX MOLEX P/N	DIAMÈTRE ISOLANT FIL MINI / MAXI MIN / MAX WIRE INSULATION DIAMETER
A1 à K1 A2 à K2 A3 à K3 A4 à K4	CLIP 0.63 (0.35mm2 à 0.60mm2)	0986581211	∅1.25 min / ∅1.90 max
	CLIP 0.63 (0.75mm2)	0986581212	∅1.60 min / ∅1.90 max
L1 à M4 L1 à M4	CLIP 1.5 (0.5mm2 à 1mm2)	0989151029	∅1.40 min / ∅2.15 max
	CLIP 1.5 (> 1mm2 à 2mm2)	0989151039	∅2.25 min / ∅2.65 max



SECTION D-D
(LEVER NON REPRESENTÉ)
(LEVER NOT SHOWN)

- INDICATION DIMENSIONS S.P.C
DENOTES S.P.C DIMENSIONS
 - INDICATION DIMENSIONS CRITIQUES
DENOTES CRITICAL DIMENSIONS
 - INDICATION DIMENSIONS FONCTIONNELLES
DENOTES FUNCTIONAL DIMENSIONS
- QUANTITE PAR FEUILLE INDIVIDUELLE
QUANTITY PER INDIVIDUAL SHEET
- 0 0 1

THIS DRAWING CONTAINS INFORMATION THAT IS PROPRIETARY TO MOLEX ELECTRONIC TECHNOLOGIES, LLC AND SHOULD NOT BE USED WITHOUT WRITTEN PERMISSION

DIMENSION UNITS mm	SCALE 2:1	CURRENT REV DESC: OBSOLETE PART NUMBER		molex	
GENERAL TOLERANCES (UNLESS SPECIFIED)		EC NO: 632260	DRWN: VLOKESHA		
4 PLACES ±	±	3 PLACES ±	±	2 PLACES ± 0.1	±
1 PLACE ± 0.15	±	0 PLACES ±	±	ANGULAR TOL ± 1.0°	±
DRAFT WHERE APPLICABLE MUST REMAIN WITHIN DIMENSIONS		FIRST ANGLE PROJECTION	DRAWING	SERIES	MATERIAL NUMBER
			A1-SIZE	98950	SEE CHART
		CUSTOMER		SHEET NUMBER	
		GENERAL MARKET		2 OF 2	