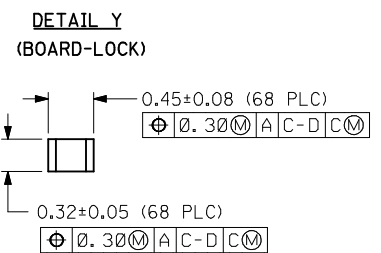
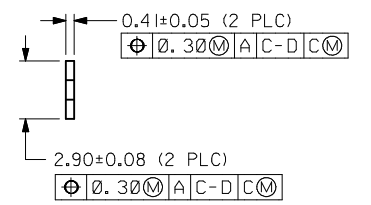
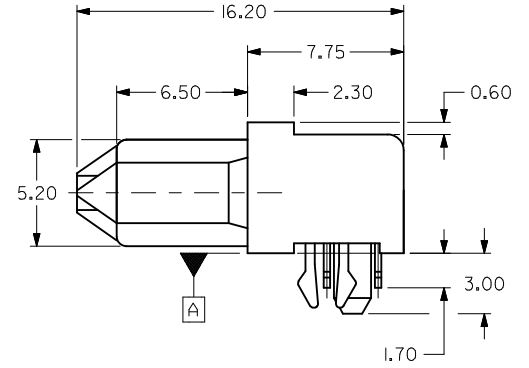
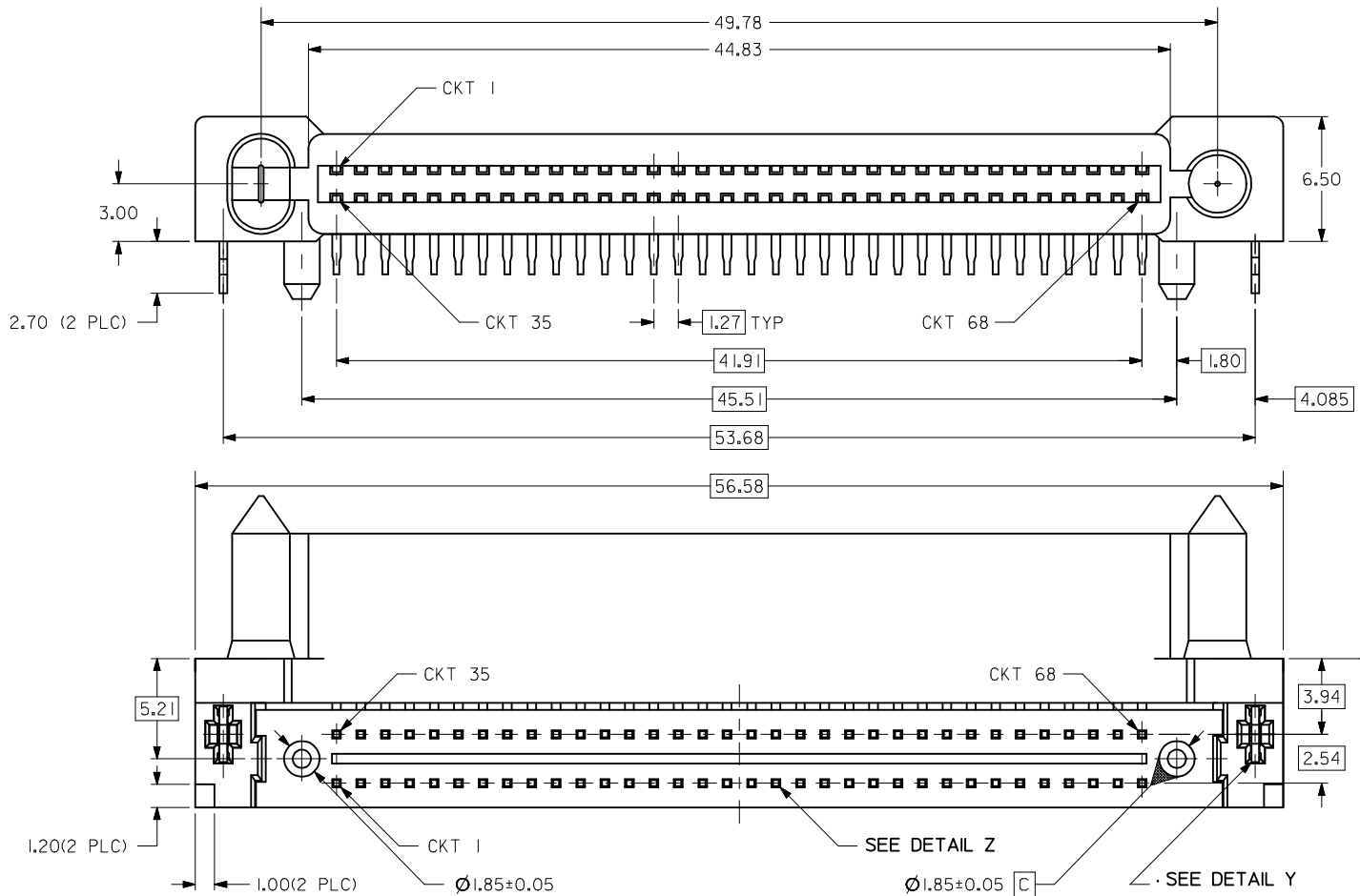
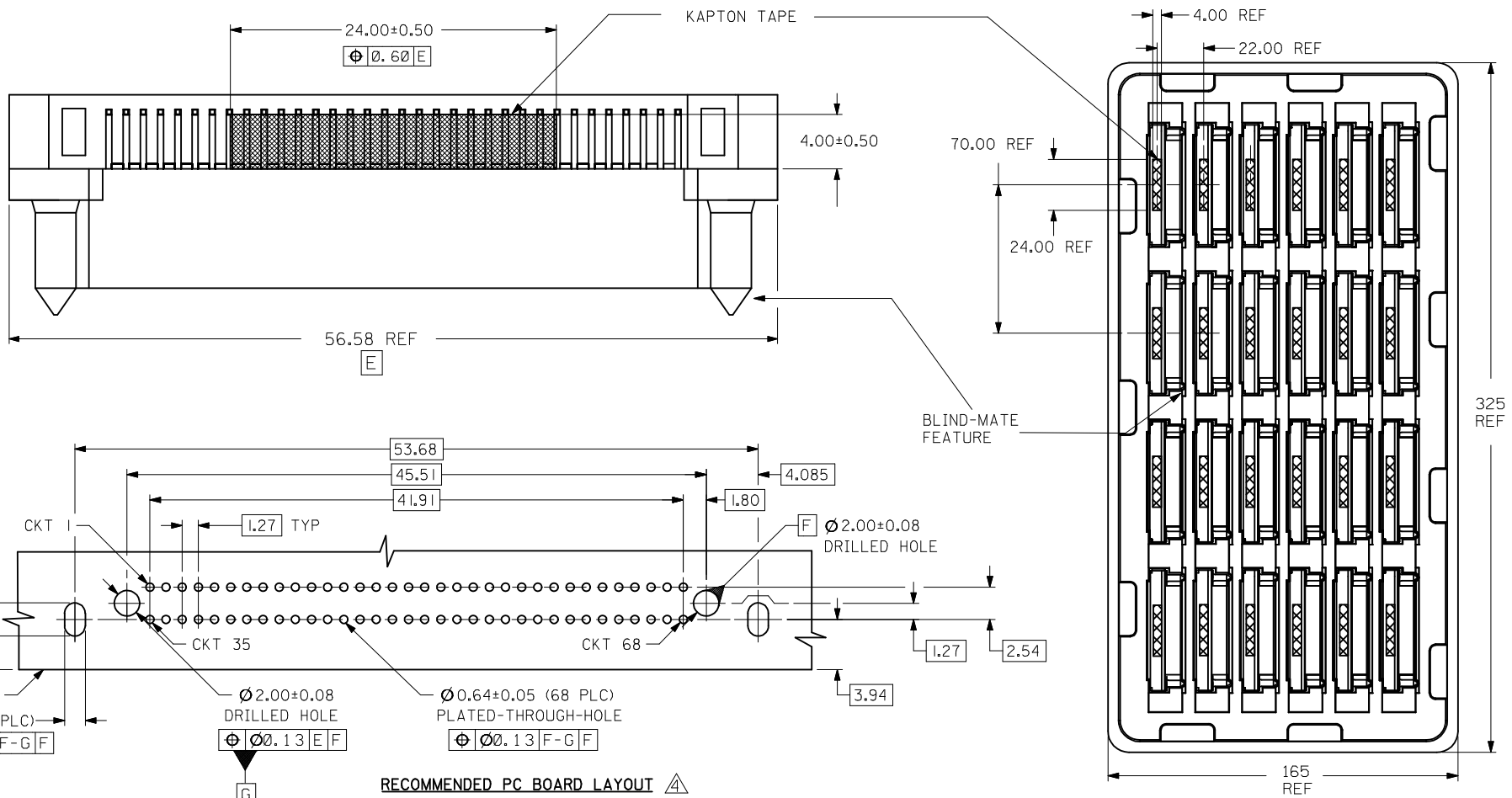


PART STATUS	PART NO. (PACKED IN CARTON)	CKT SIZE	CONTACTS LUBRICATION	WITH KAPTON TAPE
TOOLED	87537-8813	68	NIL	NO
TOOLED	87537-8819	68	YES	NO
TOOLED	87537-8822	68	YES	YES



QUALITY SYMBOLS	GENERAL TOLERANCES (UNLESS SPECIFIED)		DIMENSION STYLE		SCALE	DESIGN UNITS	THIRD ANGLE PROJECTION	
	mm	INCH	MM ONLY		NTS	METRIC		
$\nabla = 0$	4 PLACES	± ---	± ---	DRAWN BY	DATE	TITLE		
$\sphericalcap = 0$	3 PLACES	± ---	± ---	PTL IM	1999/01/05	RECEPTACLE, CONNECTOR		
	2 PLACES	± 0.25	± ---	CHECKED BY	DATE	1.27MM CTR, 68 CKTS, BTB		
	1 PLACE	± ---	± ---	KCL ING	1999/01/14	BLIND-MATE, 3MM HT., R/A		
	ANGULAR ± 3 °			APPROVED BY	DATE	MOLEX INCORPORATED		
	DRAFT WHERE APPLICABLE MUST REMAIN WITHIN DIMENSIONS			SKTOH	1999/01/15	MOLEX INCORPORATED		
				MATERIAL NO.		DOCUMENT NO.		SHEET NO.
				SEE TABLE		SD-87537-002		1 OF 2
				SIZE	THIS DRAWING CONTAINS INFORMATION THAT IS PROPRIETARY TO MOLEX INCORPORATED AND SHOULD NOT BE USED WITHOUT WRITTEN PERMISSION			
				A3				



RECOMMENDED PC BOARD LAYOUT
COMPONENT SIDE

NOTES:

- 1 MATERIALS:
HOUSING - LCP, GLASS FILLED, UL 94V-0, COLOR BLACK
TERMINAL - COPPER ALLOY
- 2 PLATING:
0.76µM MIN. GOLD IN SELECTIVE CONTACT AREA AND
2.54µM MIN. TIN IN SOLDER TAIL AREA.
BOTH OVER 1.27µM MIN. NICKEL
- 3 PRODUCT SPECIFICATION: PS-87537-0001
- 4 RECOMMENDED P.C. BOARD THICKNESS IS 1.20±0.05MM
- 5 CIRCUIT #58 TO BE RECESSED 0.50MM BEHIND
- ALL OTHER CONTACTS
- 6 PART IS LUBRICATED AT TERMINAL CONTACTS TO
MINIMISE UNMATE FORCE

PART ORIENTATION IN TRAY
FOR PART NUMBER 87537-6822 ONLY
QUANTITY PER TRAY: 24 PIECES

UPDATE NOTE1 EC NO: S2007-0852 2007/04/03 DRWN:YKOH 2007/04/03 CHKD:CGTAN 2007/04/03 APPR:KCLING	REV	DESCRIPTION
	C1	

QUALITY SYMBOLS	▽=0
	∇=0

GENERAL TOLERANCES (UNLESS SPECIFIED)	
mm	INCH
4 PLACES ± ---	± ---
3 PLACES ± ---	± ---
2 PLACES ± 0.25	± ---
1 PLACE ± ---	± ---
ANGULAR ± 3 °	

DIMENSION STYLE	
MM ONLY	
DRAWN BY	DATE
PTL IM	1999/01/05
CHECKED BY	DATE
KCL ING	1999/01/14
APPROVED BY	DATE
SKTOH	1999/01/15
MATERIAL NO.	

SCALE	DESIGN UNITS	THIRD ANGLE PROJECTION
NTS	METRIC	
TITLE RECEPTACLE, CONNECTOR 1.27MM CTR, 68 CKTS, BTB BLIND-MATE, 3MM HT., R/A		
MOLEX INCORPORATED		SHEET NO. 2 OF 2

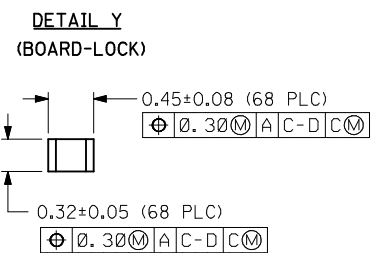
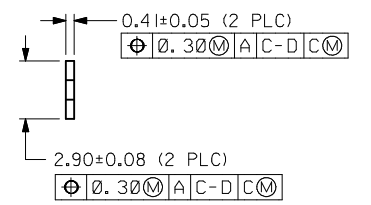
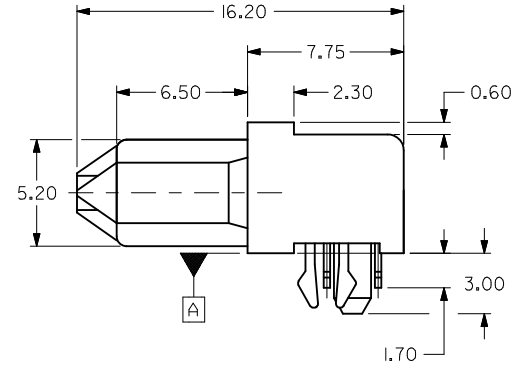
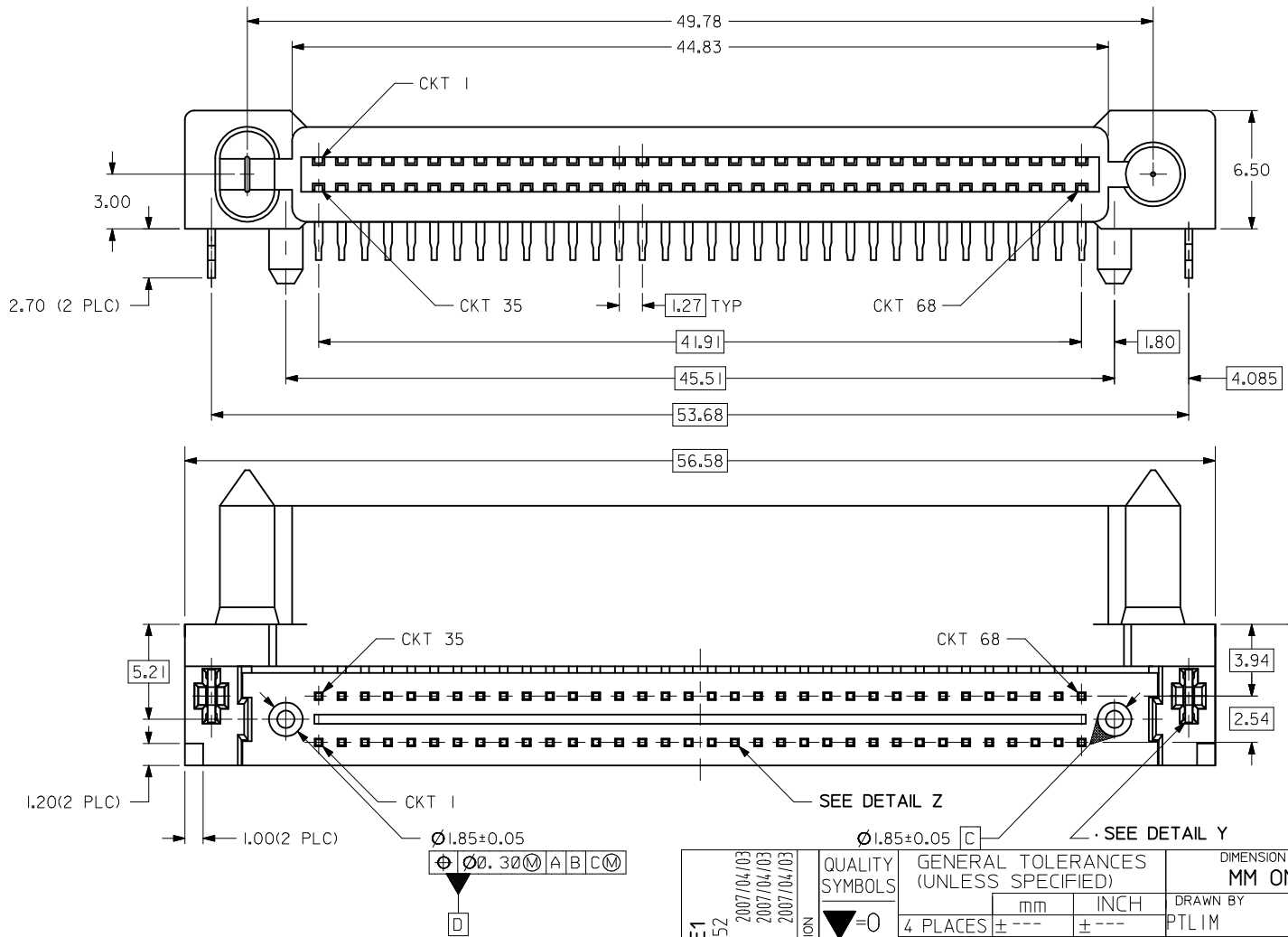
DRAFT WHERE APPLICABLE
MUST REMAIN
WITHIN DIMENSIONS

SEE TABLE

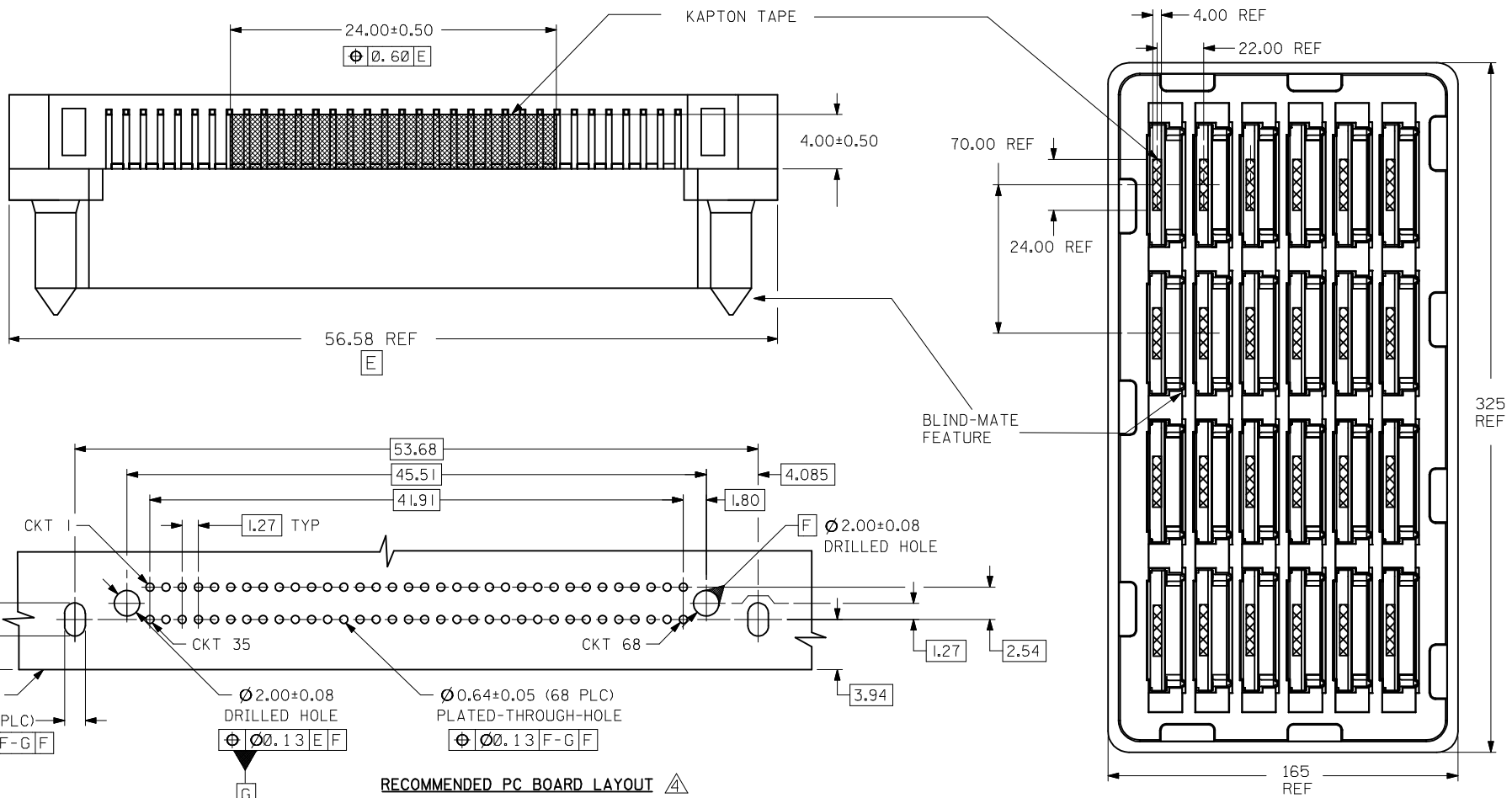
SD-87537-002

THIS DRAWING CONTAINS INFORMATION THAT IS PROPRIETARY TO MOLEX INCORPORATED AND SHOULD NOT BE USED WITHOUT WRITTEN PERMISSION

PART STATUS	PART NO. (PACKED IN CARTON)	CKT SIZE	CONTACTS LUBRICATION	WITH KAPTON TAPE
TOOLED	87537-8813	68	NIL	NO
TOOLED	87537-8819	68	YES	NO
TOOLED	87537-8822	68	YES	YES



UPDATE NOTE 1	QUALITY SYMBOLS	GENERAL TOLERANCES (UNLESS SPECIFIED)		DIMENSION STYLE		SCALE	DESIGN UNITS	THIRD ANGLE PROJECTION	
		mm	INCH	MM ONLY	NTS	METRIC	◎	◁	PROJECTION
EC NO: S2007-0852	▽=0	4 PLACES	± ---	± ---	DRAWN BY	DATE	TITLE	RECEPTACLE, CONNECTOR 1.27MM CTR, 68 CKTS, BTB BLIND-MATE, 3MM HT., R/A	
DRWN:YKOH	◻=0	3 PLACES	± ---	± ---	PTL IM	1999/01/05			
CHKD:CGTAN		2 PLACES	± 0.25	± ---	CHECKED BY	DATE		MOLEX INCORPORATED	
APPR:KCLING		1 PLACE	± ---	± ---	KCL ING	1999/01/14			
		ANGULAR ± 3 °			APPROVED BY	DATE		SD-87537-002	
		DRAFT WHERE APPLICABLE MUST REMAIN WITHIN DIMENSIONS			SKTOH	1999/01/15			
		SEE TABLE			MATERIAL NO.			1 OF 2	
		SEE TABLE			SIZE				
		THIS DRAWING CONTAINS INFORMATION THAT IS PROPRIETARY TO MOLEX INCORPORATED AND SHOULD NOT BE USED WITHOUT WRITTEN PERMISSION							



RECOMMENDED PC BOARD LAYOUT
COMPONENT SIDE

PART ORIENTATION IN TRAY
FOR PART NUMBER 87537-6822 ONLY
QUANTITY PER TRAY: 24 PIECES

NOTES:

- 1 MATERIALS:
HOUSING - LCP, GLASS FILLED, UL 94V-0, COLOR BLACK
TERMINAL - COPPER ALLOY
- 2 PLATING:
0.76µM MIN. GOLD IN SELECTIVE CONTACT AREA AND
2.54µM MIN. TIN IN SOLDER TAIL AREA.
BOTH OVER 1.27µM MIN. NICKEL
- 3 PRODUCT SPECIFICATION: PS-87537-0001
- 4 RECOMMENDED P.C. BOARD THICKNESS IS 1.20±0.05MM
- 5 CIRCUIT #58 TO BE RECESSED 0.50MM BEHIND
- ALL OTHER CONTACTS
- 6 PART IS LUBRICATED AT TERMINAL CONTACTS TO
MINIMIZE UNMATE FORCE

UPDATE NOTE1 EC NO: S2007-0852 2007/04/03 DRAWN:YKOH CHKD:CGTAN 2007/04/03 APPR:KCLING 2007/04/03	QUALITY SYMBOLS	GENERAL TOLERANCES (UNLESS SPECIFIED)	DIMENSION STYLE	SCALE	DESIGN UNITS	THIRD ANGLE PROJECTION
	▽=0 ∇=0	mm INCH	MM ONLY	NTS	METRIC	

4 PLACES	± ---	± ---
3 PLACES	± ---	± ---
2 PLACES	± 0.25	± ---
1 PLACE	± ---	± ---
ANGULAR ± 3 °		
DRAFT WHERE APPLICABLE MUST REMAIN WITHIN DIMENSIONS		

DRAWN BY	DATE
PTLIM	1999/01/05
CHECKED BY	DATE
KCLING	1999/01/14
APPROVED BY	DATE
SKTOH	1999/01/15
MATERIAL NO.	
SEE TABLE	

TITLE		RECEPTACLE, CONNECTOR 1.27MM CTR, 68 CKTS, BTB BLIND-MATE, 3MM HT., R/A	
MOLEX INCORPORATED		MOLEX INCORPORATED	
DOCUMENT NO.	SD-87537-002	SHEET NO.	2 OF 2