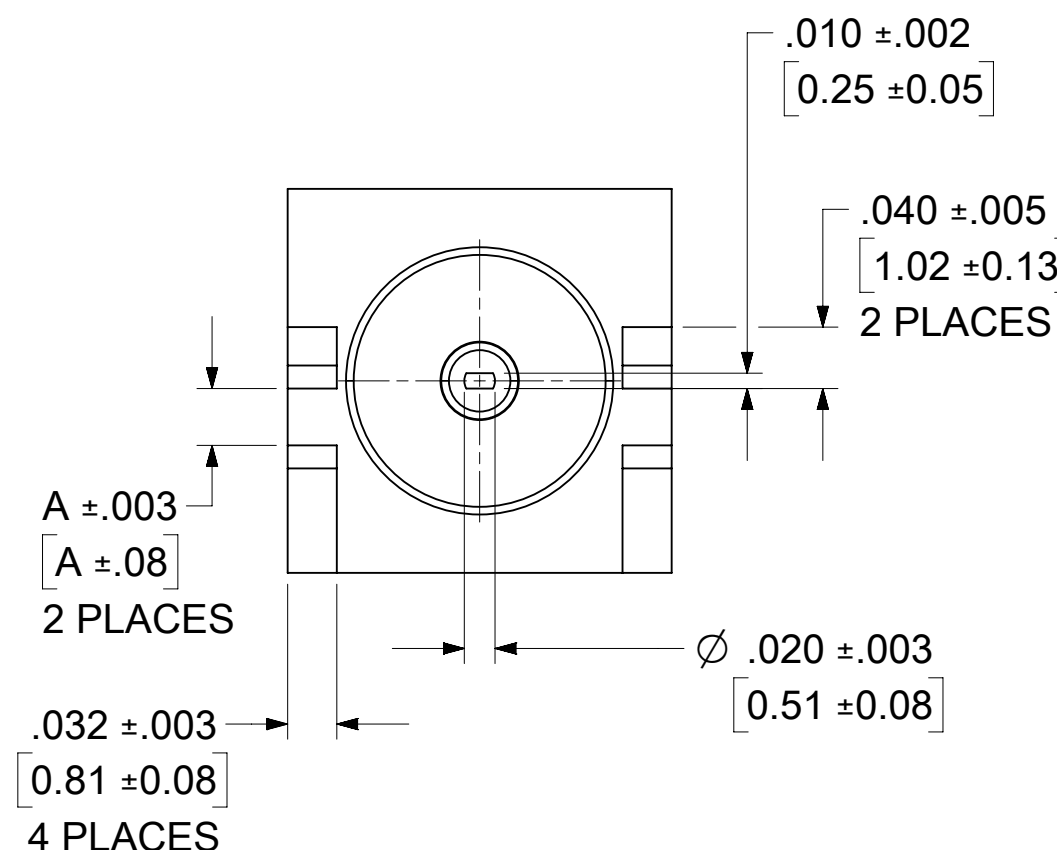
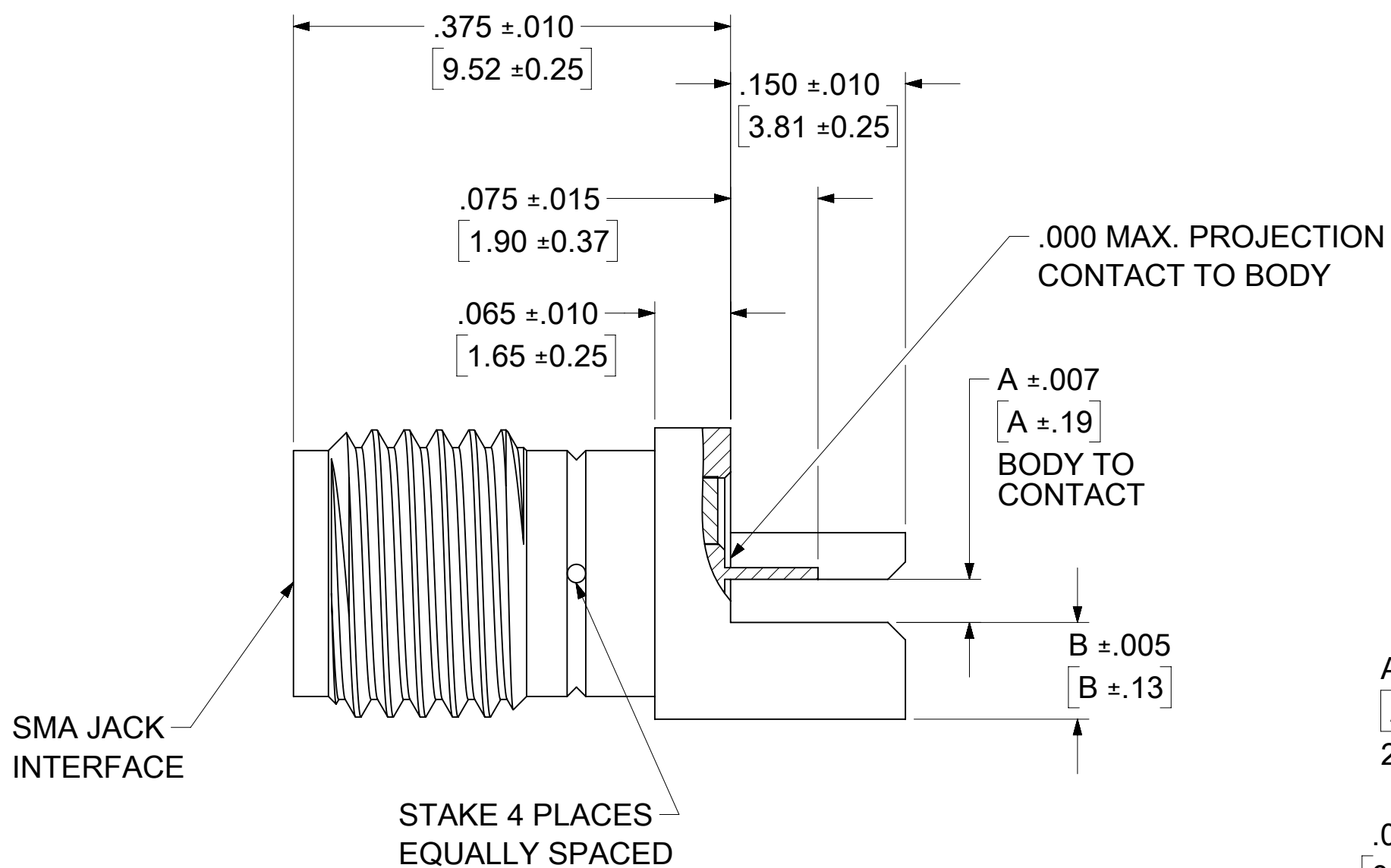
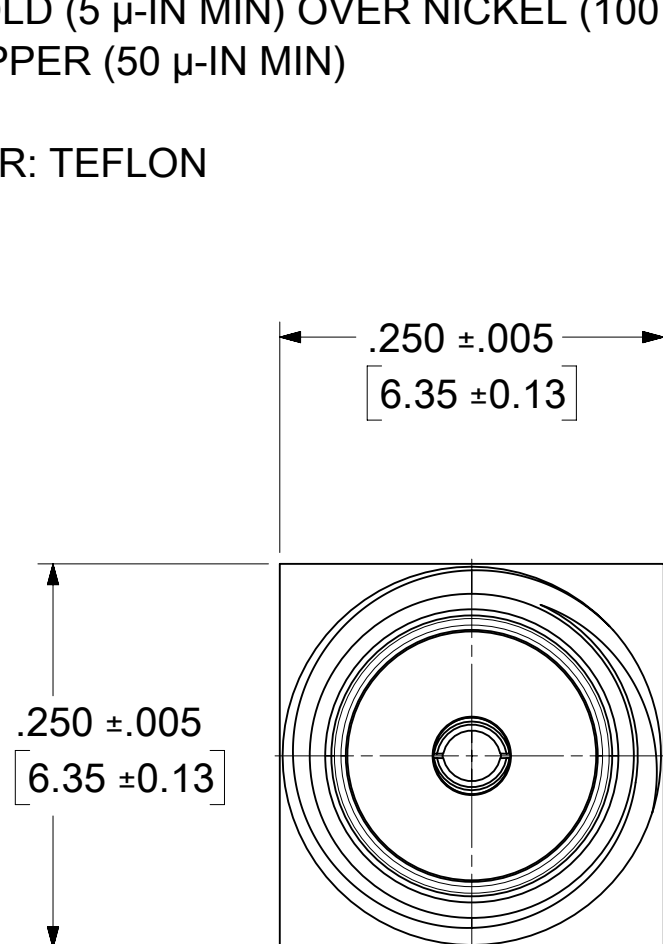
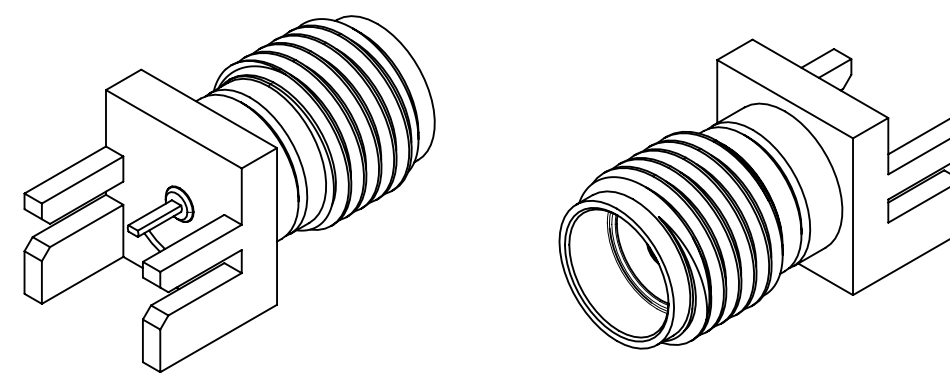


MATERIALS AND FINISHES:

BODY: BRASS
 73251-4430, -4431, -4432
 FINISH GOLD (10 μ-IN MIN) OVER NICKEL (100 μ-IN MIN)
 OVER COPPER (50 μ-IN MIN)
 73251-4433
 FINISH GOLD (1 μ-IN MIN) OVER NICKEL (100 μ-IN MIN)
 OVER COPPER (50 μ-IN MIN)

CONTACT: BERYLLIUM COPPER
 73251-4430, -4431, -4432
 FINISH GOLD (10 μ-IN MIN) OVER NICKEL (50 μ-IN MIN)
 OVER COPPER (50 μ-IN MIN)
 73251-4433
 FINISH GOLD (5 μ-IN MIN) OVER NICKEL (100 μ-IN MIN)
 OVER COPPER (50 μ-IN MIN)

INSULATOR: TEFLON



CONTACT RETENTION:
 AXIAL 26.7 N (6 LB) MIN
 TORQUE 2.82 N-CM (4 IN-OZ) MIN

UL FILE NUMBER E107635

73251-4433	.048	1.22	.072	1.83	BY TRAY, PER 89542-0040
73251-4432	.068	1.73	.052	1.32	
73251-4431	.048	1.22	.072	1.83	
73251-4430	.037	0.94	.083	2.11	
PART NO.	IN	MM	IN	MM	PACKAGING
DIM (X)	DIM A		DIM B		

MIL-STD-348A, FIG.310.2	SMA JACK INTERFACE
PS-89675-346	PRODUCT SPECIFICATION
SPECIFICATION	DESCRIPTION

FUNCTIONAL SYMBOLS	THIS DRAWING CONTAINS INFORMATION THAT IS PROPRIETARY TO MOLEX ELECTRONIC TECHNOLOGIES, LLC AND SHOULD NOT BE USED WITHOUT WRITTEN PERMISSION		CURRENT REV DESC: ADD PKG NOTE PER EWR15242-A		molex				
	FA = 0	IN/MM NTS							EC NO: 709659
GENERAL TOLERANCES (UNLESS SPECIFIED)	ANGULAR TOL ± 2.0°		DRWN: CWEI02	2022/06/06	SMA JACK, PCB END LAUNCH TAB CONTACT, EWR-4636 SMA-J/PCB				
	FC = 0	4 PLACES ±	CHK'D: YCHENG	2022/06/15					
DIVISIONAL SYMBOLS	FP = 0	3 PLACES ±	APPR: YCHENG	2022/06/15	PRODUCT CUSTOMER DRAWING				
		2 PLACES ±	INITIAL REVISION:						
		1 PLACE ±	DRWN: JLEE02	2011/03/07	DOCUMENT NUMBER		DOC TYPE	DOC PART	REVISION
		0 PLACES ±	APPR: JWIENER	2011/04/11	SD-73251-443		PSD	001	A2
DRAFT WHERE APPLICABLE MUST REMAIN WITHIN DIMENSIONS		THIRD ANGLE PROJECTION	DRAWING	SERIES	MATERIAL NUMBER	CUSTOMER	SHEET NUMBER		
			C-SIZE	73251	SEE TABLE	GENERAL MARKET	1 OF 1		