

NOTES:

1. MATERIAL:

HOUSING: LIQUID CRYSTAL POLYMER (LCP), GLAS-FILLED, UL 94V-0,

COLOR: BLASK

TERMINALS: BRASS

2. FINISH:

TERMINAL: 0.76 MICROMETERS/30 MICROINCHES MINIMUM SELECTIVE GOLD

IN CONTACT AREA; 1.27 MICROMETERS/50 MICROINCHES MINIMUM

SELECTIVE TIN IN THE PC TAIL AREA; NICKEL UNDERPLATE OVERALL

3. ASSEMBLY MATES WITH MOLEX P/N SDA-71660-****

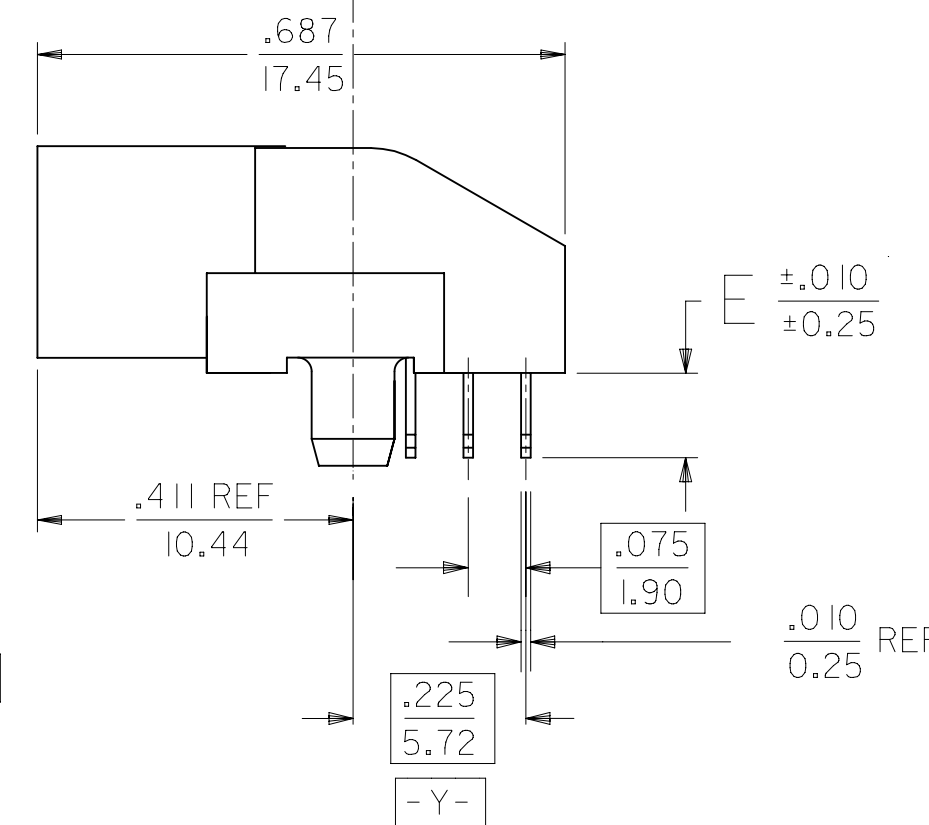
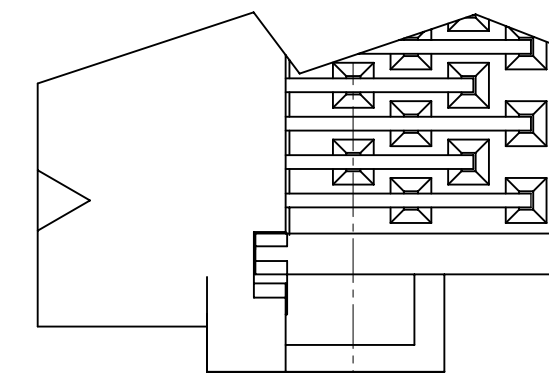
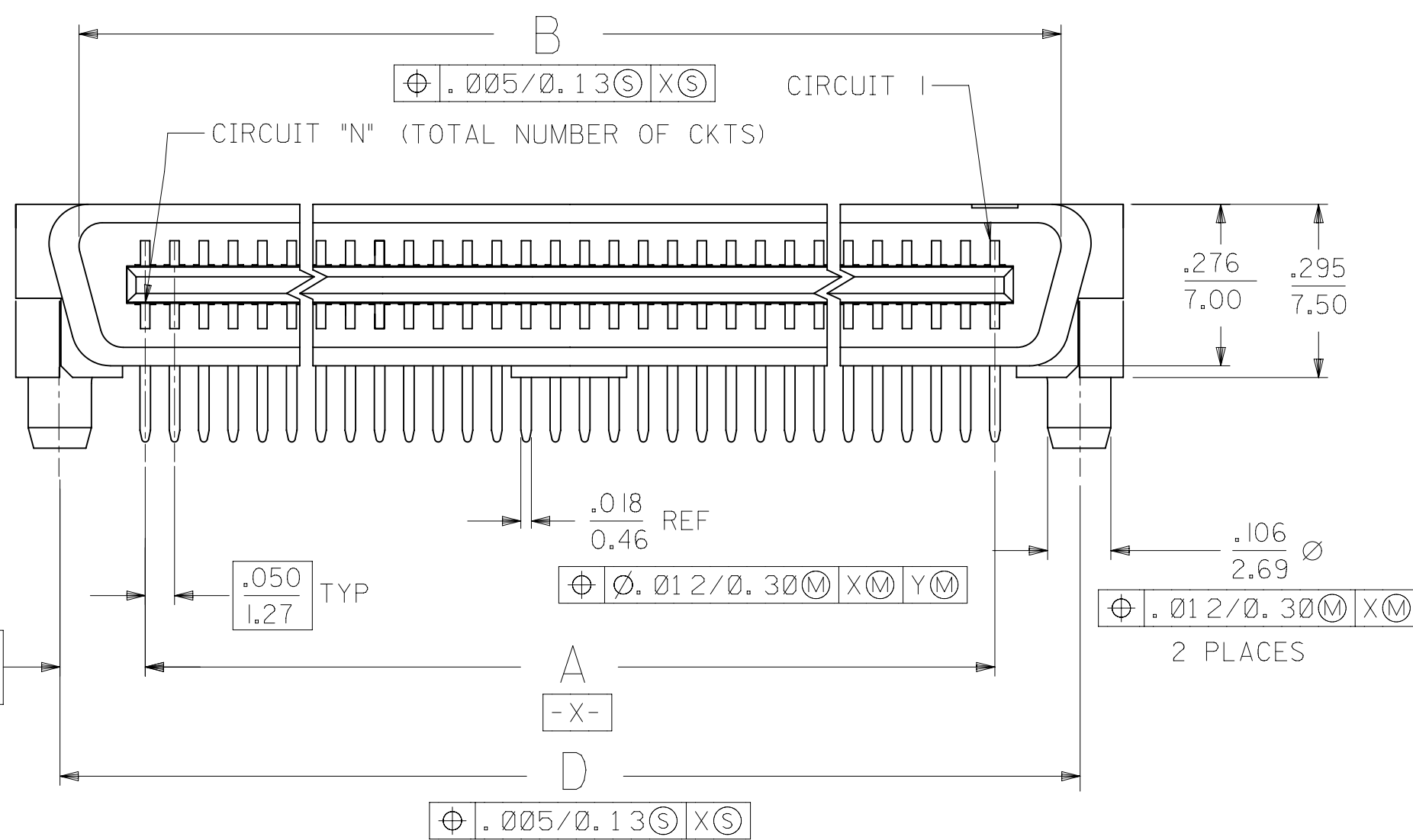
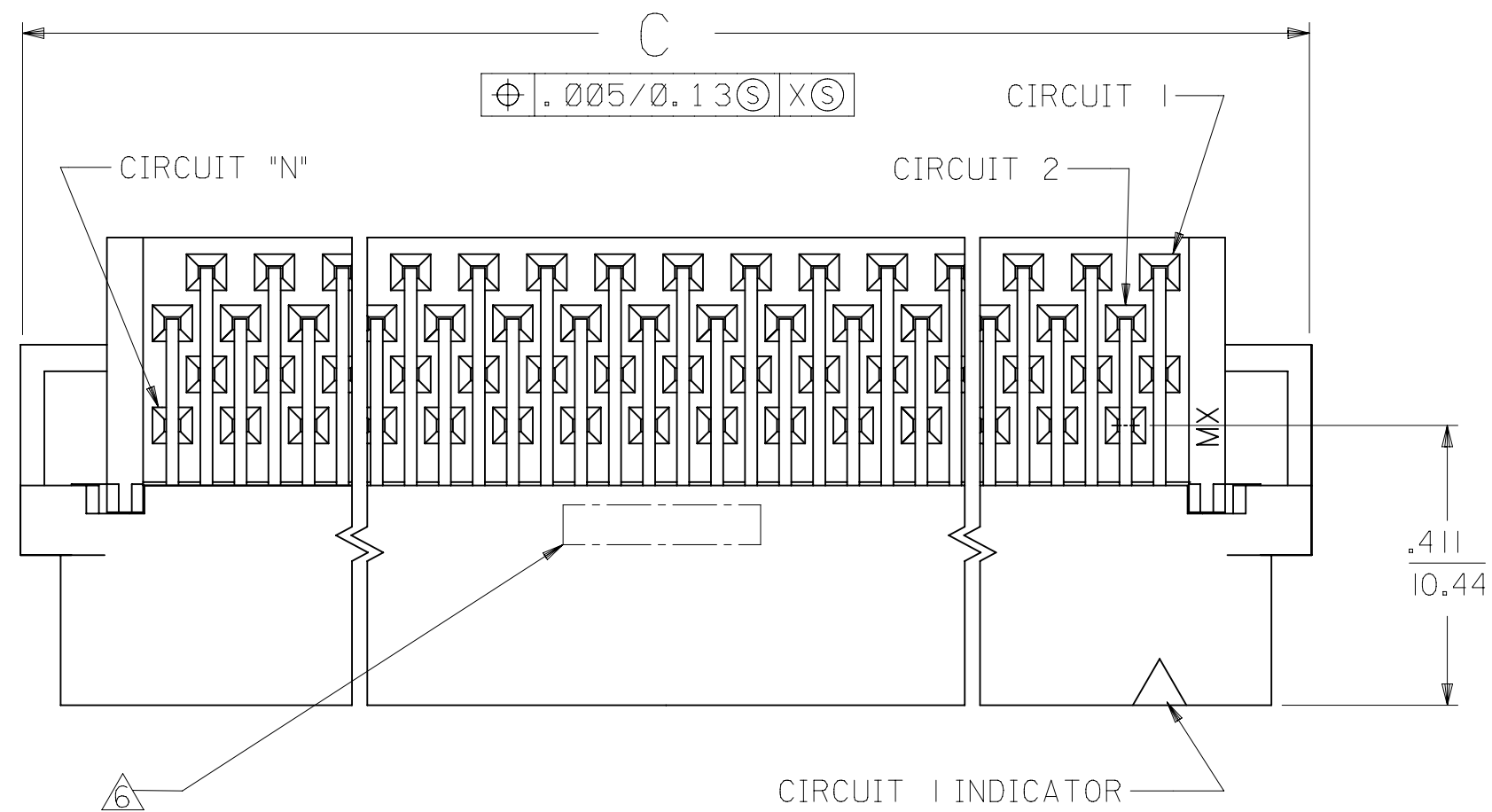
4. CONFORMS TO PRODUCT SPEC: PS-71660

5. RECOMMENDED PC BOARD THICKNESS IS .062/1.60

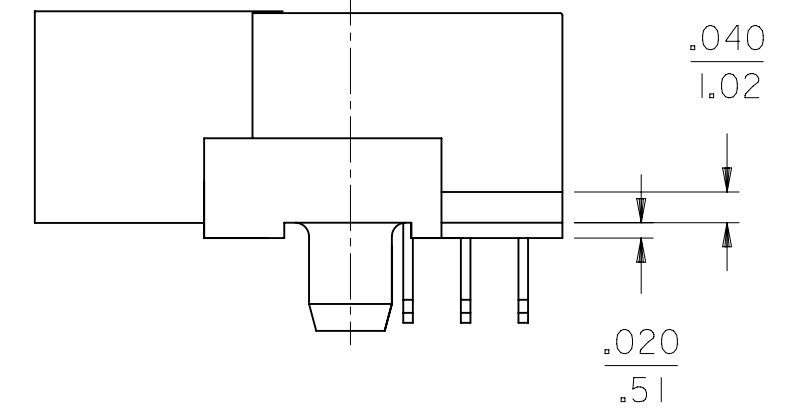
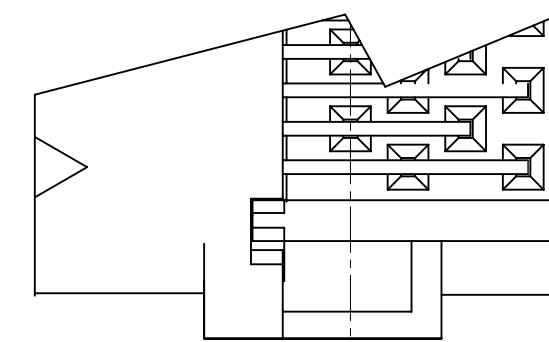
6. FOUR DIGIT DATE CODE (WK, YR) EXAMPLE 26 96 LOCATED IN AREA SHOWN

7. TOOLING STATUS: "X" INDICATES NO TOOLING AVAILABLE

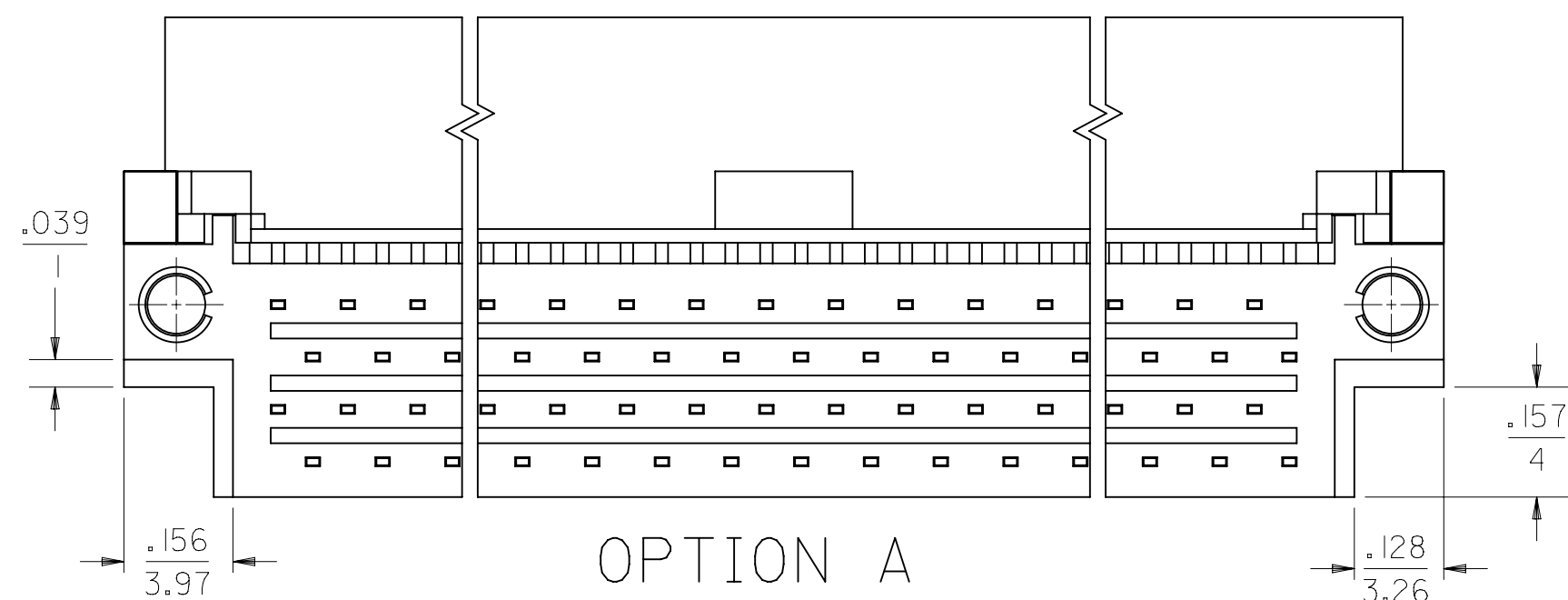
CONTACT FACTORY FOR FURTHER INFORMATION



END DETAIL
OPTION A
(BOTH ENDS)



END DETAIL
OPTION B
(BOTH ENDS)



OPTION A

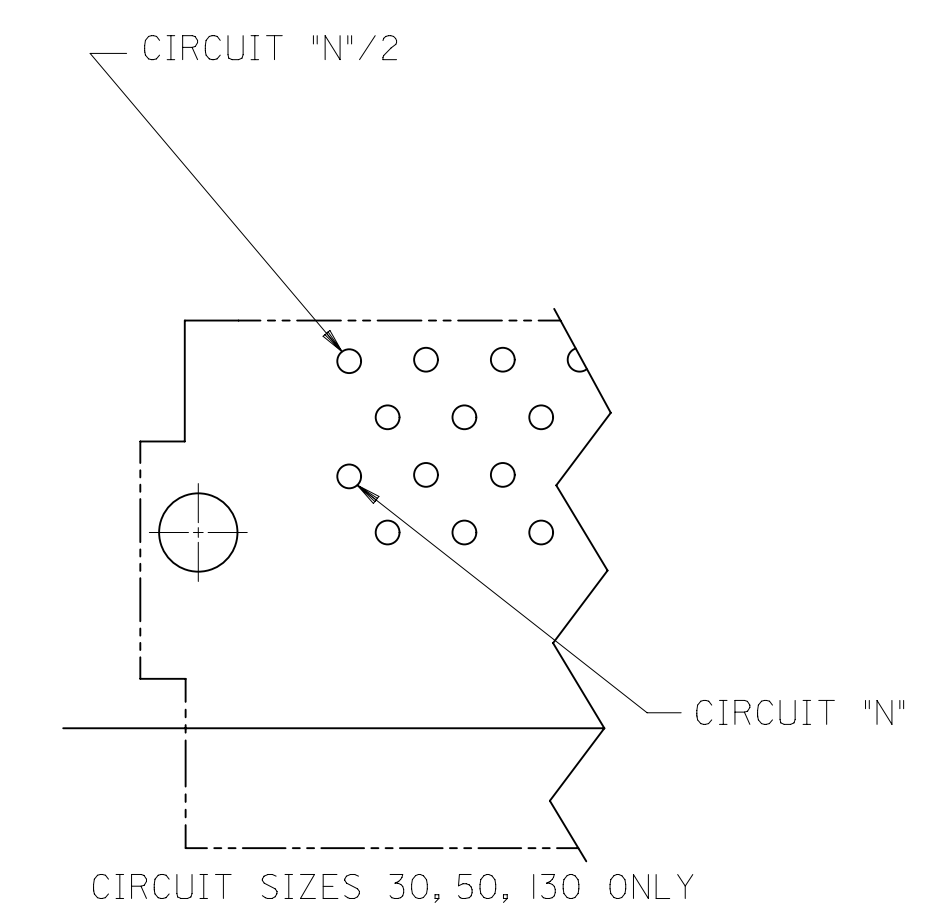
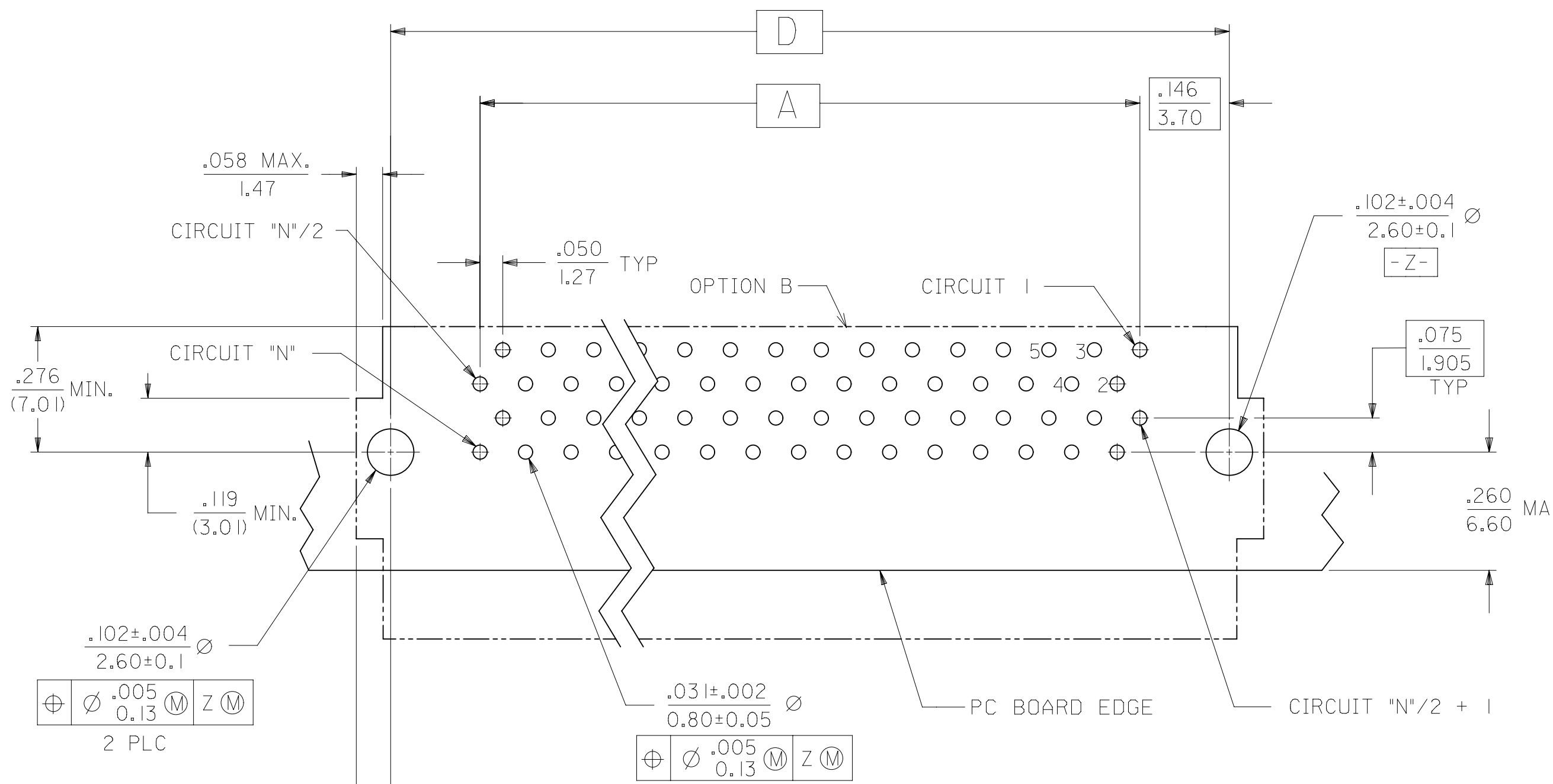
THIS DRAWING CONTAINS INFORMATION THAT IS PROPRIETARY TO MOLEX ELECTRONIC TECHNOLOGIES, LLC AND SHOULD NOT BE USED WITHOUT WRITTEN PERMISSION

DIMENSION UNITS		SCALE		CURRENT REV DESC: OBSOLETE PART NUMBER			
IN/MM		4:1					
GENERAL TOLERANCES (UNLESS SPECIFIED)							
		MM	INCH				
4 PLACES	±						
3 PLACES	±		0.01				
2 PLACES	±	0.25					
1 PLACE	±						
0 PLACES	±						
ANGULAR TOL		± 0.5°					
DRAFT WHERE APPLICABLE MUST REMAIN WITHIN DIMENSIONS				THIRD ANGLE PROJECTION		DRAWING SERIES	
				C-SIZE		71661	
				MATERIAL NUMBER		CUSTOMER	
				SEE TABLE		GENERAL MARKET	
				DOCUMENT NUMBER		DOC TYPE DOC PART REVISION	
				SDA-71661-2XXX		PSD 001 R	
				EC NO: 644856		2020/07/15	
				DRWN: RPRABHUM		2020/10/07	
				CHK'D: GGA		2020/10/07	
				APPR: GGA		2020/10/07	
				INITIAL REVISION:			
				DRWN: RAN		1993/02/23	
				APPR: CAB		1993/02/23	
				SHEET NUMBER		1 OF 2	

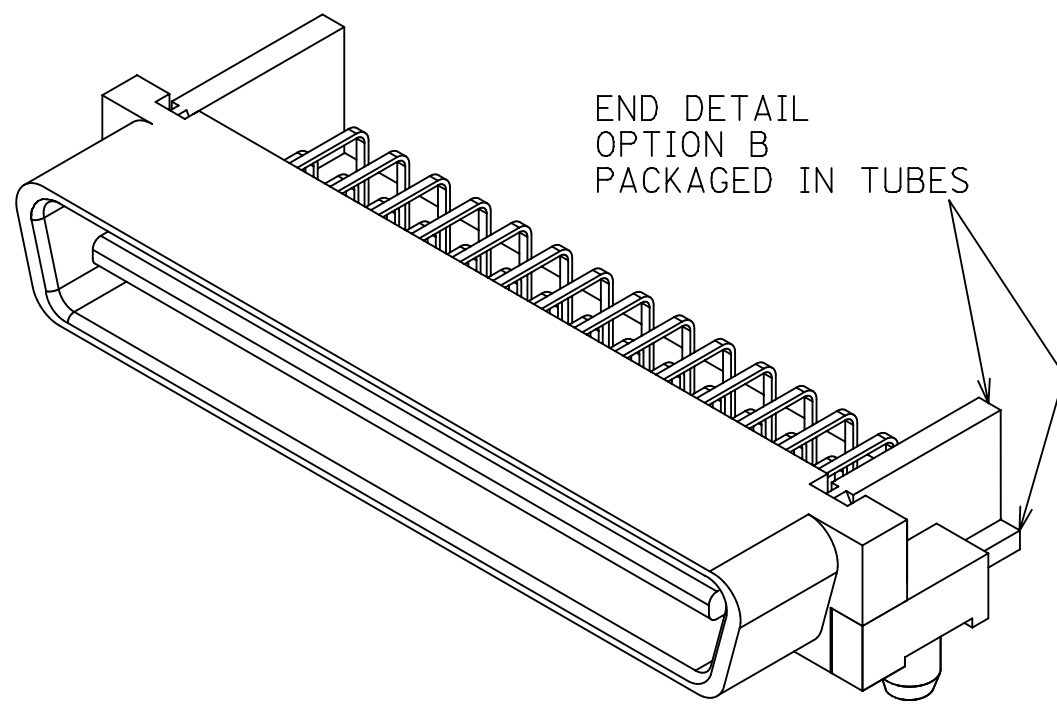
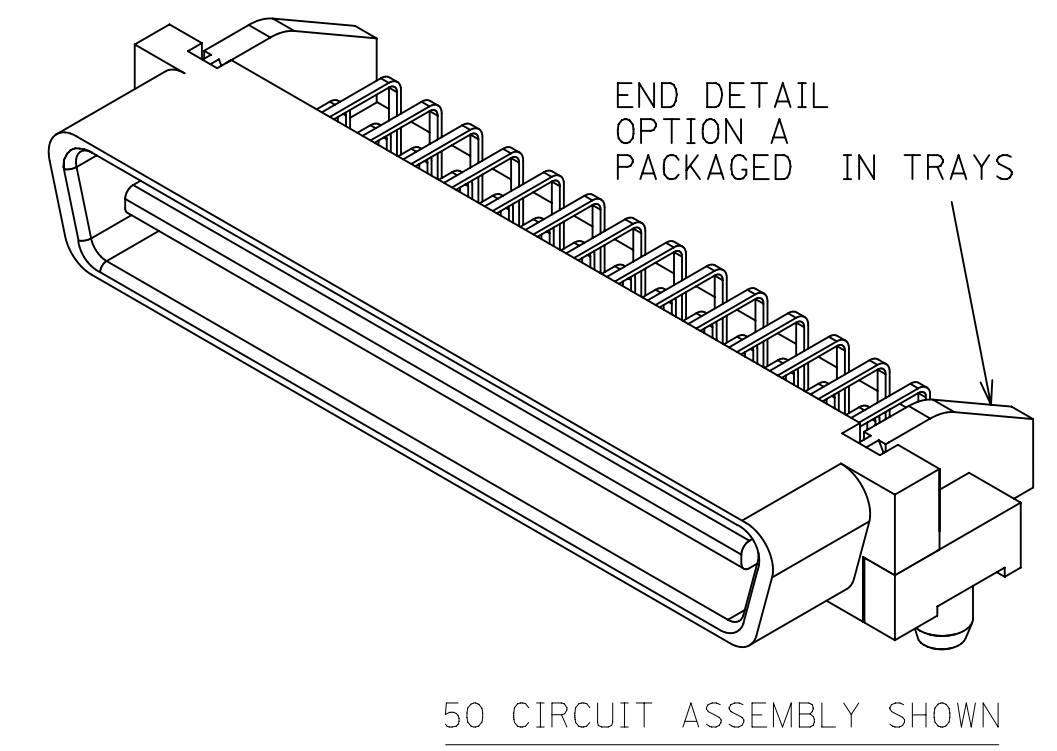
molex

SALES ASSEMBLY
EBBI 50D RIGHT ANGLE PLUG CONNECTOR

PRODUCT CUSTOMER DRAWING



RECOMMENDED PC BOARD LAYOUT COMPONENT SIDE



TRAY PACK
PER SPEC.
PK-70873-084*

END DETAIL
OPTION "A"

.110 (2.79)	2.741 (69.63)	2.892 (73.45)	2.676 (67.97)	2.450 (62.23)	100	71661-2100
	1.941 (49.31)	2.092 (53.13)	1.875 (47.65)	1.650 (41.91)	68	71661-2068
	1.491 (37.88)	1.642 (41.70)	1.426 (36.22)	1.200 (30.48)	50	71661-2050
	1.241 (31.53)	1.392 (35.35)	1.176 (29.87)	.950 (24.13)	40	71661-2040
	.991 (25.18)	1.142 (29.00)	.925 (23.52)	.700 (17.78)	30	71661-2030
E	D	C	B	A	CKT ("N")	ITEM NUMBER

THIS DRAWING CONTAINS INFORMATION THAT IS PROPRIETARY TO MOLEX ELECTRONIC TECHNOLOGIES, LLC AND SHOULD NOT BE USED WITHOUT WRITTEN PERMISSION

DIMENSION UNITS IN/MM	SCALE 4:1	CURRENT REV DESC: OBSOLETE PART NUMBER		molex			
GENERAL TOLERANCES (UNLESS SPECIFIED)		EC NO: 644856					SALES ASSEMBLY EBBI 50D RIGHT ANGLE PLUG CONNECTOR
4 PLACES	±	MM	INCH	DRWN: RPRABHUM	2020/07/15	PRODUCT CUSTOMER DRAWING	
3 PLACES	±	±	0.01	CHK'D: GGA	2020/10/07		
2 PLACES	±	0.25	±	APPR: GGA	2020/10/07	DOCUMENT NUMBER	
1 PLACE	±	±	±	INITIAL REVISION:		DOC TYPE	
0 PLACES	±	±	±	DRWN: RAN	1993/02/23	DOC PART	
ANGULAR TOL	±	0.5°		APPR: CAB	1993/02/23	REVISION	
DRAFT WHERE APPLICABLE MUST REMAIN WITHIN DIMENSIONS	THIRD ANGLE PROJECTION		DRAWING	SERIES	MATERIAL NUMBER	CUSTOMER	SHEET NUMBER
	C-SIZE		71661	SEE TABLE	GENERAL MARKET	2 OF 2	