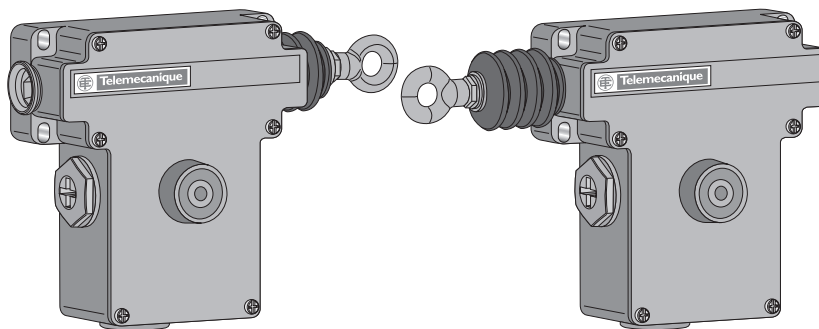


**EMERGENCY STOP ROPE PULL SWITCH**  
**COMMANDE D'ARRET D'URGENCE PAR CABLE DE TRACTION**  
**SEILZUGNOTSCHALTER**  
**INTERRUPTOR DE PARO DE EMERGENCIA A CABLE**  
**INTERRUTTORE A FUNE PER ARRESTO DI EMERGENZA**  
**紧急停止拉绳开关**

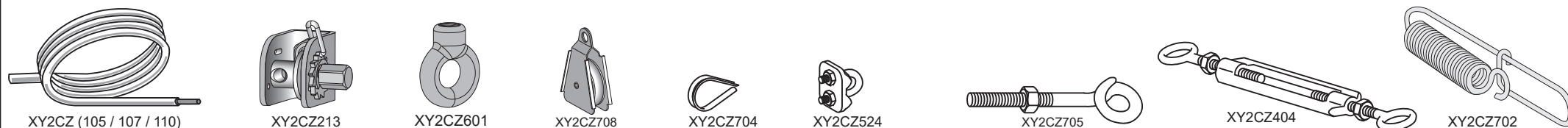


**Manufacturer :**  
 Schneider Electric Industries SAS  
 35 rue Joseph Monier  
 92500 Rueil Malmaison  
 France

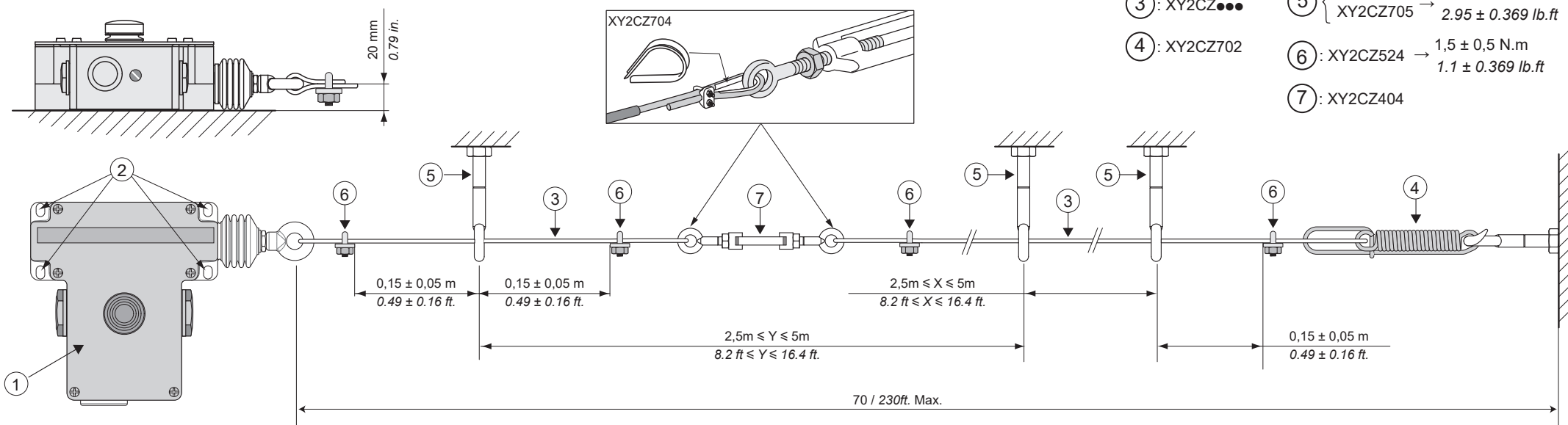


**UK Representative :**  
 Schneider Electric Limited  
 Stafford Park 5  
 Telford, TF3 3BL  
 United Kingdom

**Accessories / Accessoires / Zubehör / Accesorios / Accessori / 附件**



**Fig.1 Installation / Installation / Installation / Instalación / Installazione / 安裝**



**Cable installation with déflexion (angles)**  
**Installation du câble avec déviation (angles)**  
**Kabelinstallation mit Umlenkung (Winkel)**  
**Instalación del cable con desvíos (ángulos)**  
**Installazione del cavo con deflessione (angoli)**  
**电缆安装有偏斜 (角度)**

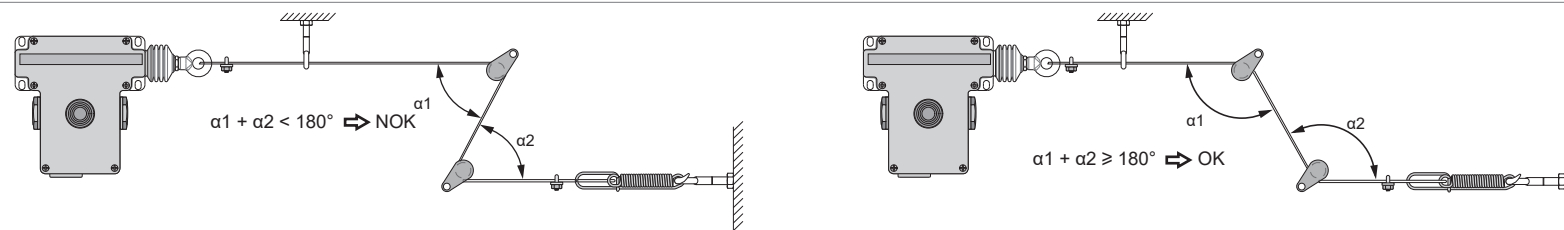


Fig.2

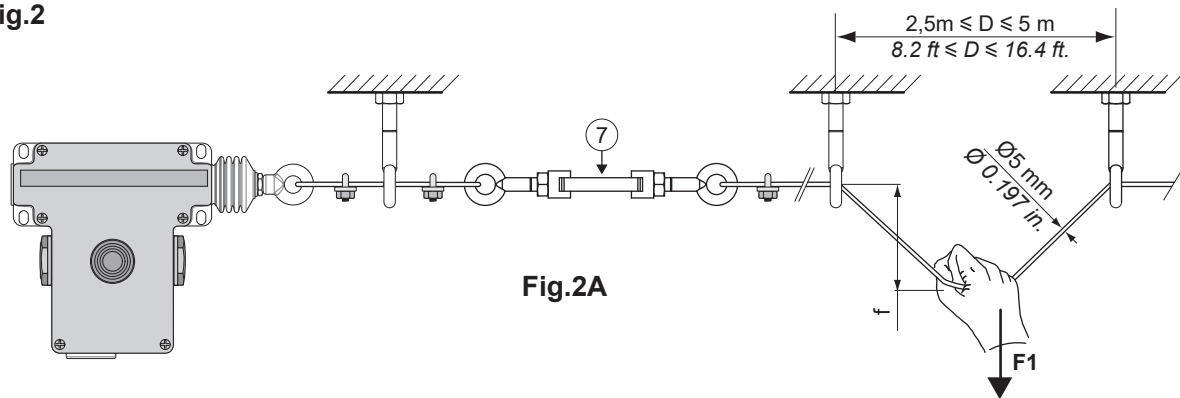


Fig.2A

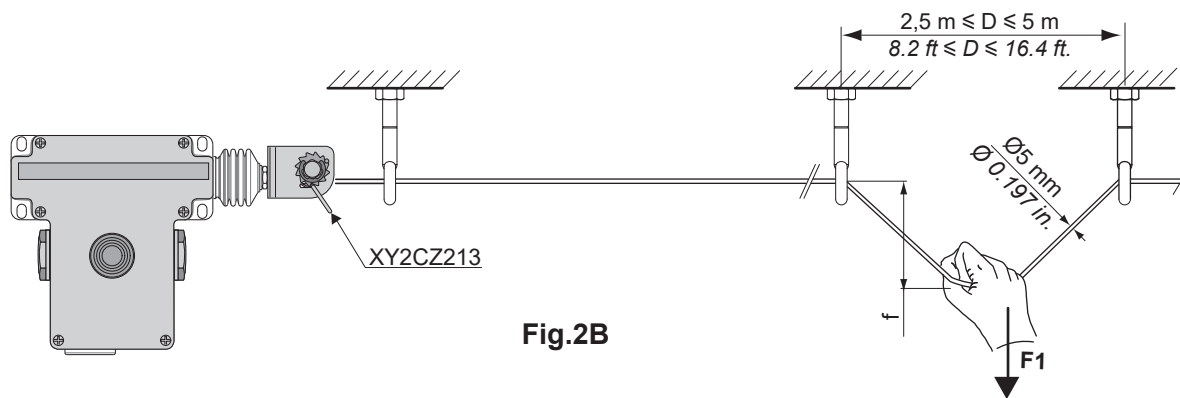
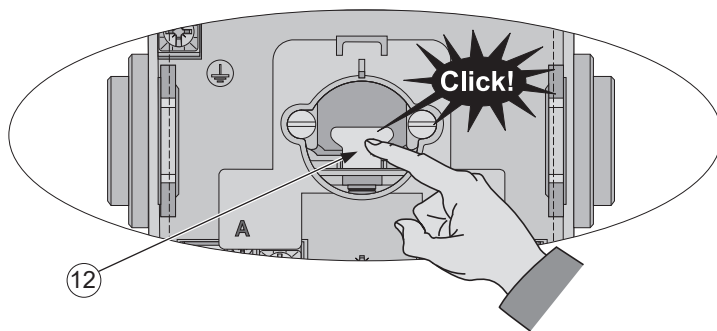


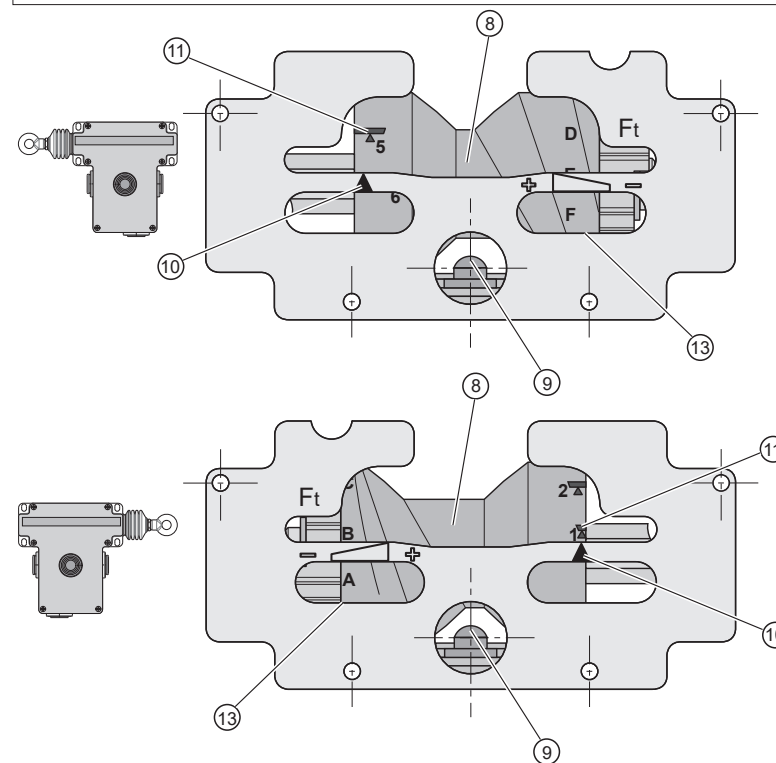
Fig.2B



IEC 60947-5-5

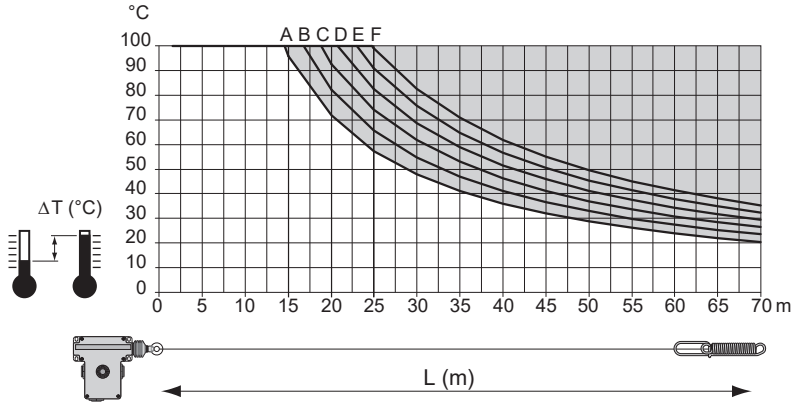
Index Index Index Indice Indice 索引	Standard force version Version effort normal Version normale Belastung Versión capacidad normal Versione sforzo normale 标准版力		Low force version Version effort faible Version schwache Belastung Versión capacidad débil Versione sforzo ridotto 低版本的力		Cam position Position de la came Nocken position Posición de la palanca Posizione della came 凸轮位置
	F1 (daN)	f (mm/in.)	F1 (daN)	f (mm)	
⑪	F1	f	F1	f	
1	7	260 / 10.2	4,4	250 / 9.8	A
2	8,4	280 / 11	4,8	270 / 10.6	B
3	9,6	300 / 11.8	5,1	270 / 10.6	C
4	10,2	320 / 12.6	5,3	280 / 11	D
5	12,3	340 / 13.4	6	290 / 11	E
6	13,3	360 / 14.2	6,6	320 / 12.6	F

Note / Remarque / Anmerkung / Observación / Nota / 注释:  
 A given force corresponds to a single deflection and a single cam position.  
 Un effort donné correspond à une seule flèche et à une seule position de came.  
 Eine bestimmte Belastung entspricht einem einzigen Pfeil und einer einzigen Nockenposition.  
 Una capacidad determinada corresponde a un único desvío y a una única posición de la palanca.  
 Un dato sforzo corrisponde a una sola reccia e a una sola posizione della camma.  
 一个给定的力对应于单个偏转和单个凸轮位置



**Fig.3**

Permissible temperature variation according to cable length for a given cam position.  
 Variation de température admissible en fonction de la longueur de câble pour une position de came donnée.  
 Zulässige Temperaturschwankungen entsprechend der Kabellänge für eine gegebene Nockenposition.  
 Variación de temperatura permisible en función de la longitud del cable para una posición de palanca determinada.  
 Variazione ammissibile della temperatura in funzione della lunghezza del cavo per una data posizione di camma.  
 根据对于给定的凸轮位置的电缆长度可允许的温度变化。



Prohibited area / Zone interdite / Sperrgebiet / zona prohibida / zona vietata / 禁止区域

Recommendations / Recommendations / Empfehlungen / Recomendaciones / Raccomandazioni / 建议 :

Recommended cable Ref. XY2CZ (105 / 107 / 110) - Ø 5 mm - Galvanised steel type with red sleeve Expansion coefficient  $\Delta L = 0,7 \text{ mm / m}$  for a temperature variation of  $60^\circ \text{C}$ .

Câble préconisé : XY2CZ (105 / 107 / 110) - Ø 5 mm - Type acier galvanisé gaine rouge Coefficient de dilatation  $\Delta L = 0,7 \text{ mm / m}$  pour un écart de  $60^\circ \text{C}$ .

Vorgesehenes Kabel : XY2CZ (105 / 107 / 110) - Ø 5 mm - Typ: verzinkter Stahl mit roter Ummantelung Dehnungskoeffizient  $\Delta L = 0,7 \text{ mm / m}$  bei einer Temperaturschwankung von  $60^\circ \text{C}$ .

Cable aconsejado : XY2CZ (105 / 107 / 110) - Ø 5 mm - Tipo: acero galvanizado con envoltura roja Coeficiente de dilatación:  $\Delta L = 0,7 \text{ mm / m}$  para una variación de temperatura de  $60^\circ \text{C}$ .

Cavo consigliato : XY2CZ (105 / 107 / 110) - Ø 5 mm - Tipo: acciaio galvanizzato con guaina rossa Coefficiente di dilatazione  $\Delta L = 0,7 \text{ mm / m}$  per una variazione di temperatura di  $60^\circ \text{C}$ .

推荐线缆参考。XY2CZ (105/107/110) - Ø5毫米 - 镀锌钢型红色套筒膨胀系数  $\Delta L=0.7$ 毫米/米为 $60^\circ \text{C}$ 的温度变化。

**Fig.4**

	<p>Slacken the cable Détendre le câble Lockern Sie die Kabel Aflojar el cable Allentare il cavo 拧松线缆</p>	<p><b>4a</b></p>	
	<p>Tension the cable Tendre le câble Spannen Sie das Kabel Tensión el cable Tension il cavo 张力的线缆</p>	<p><b>4b</b></p>	

Fig.5

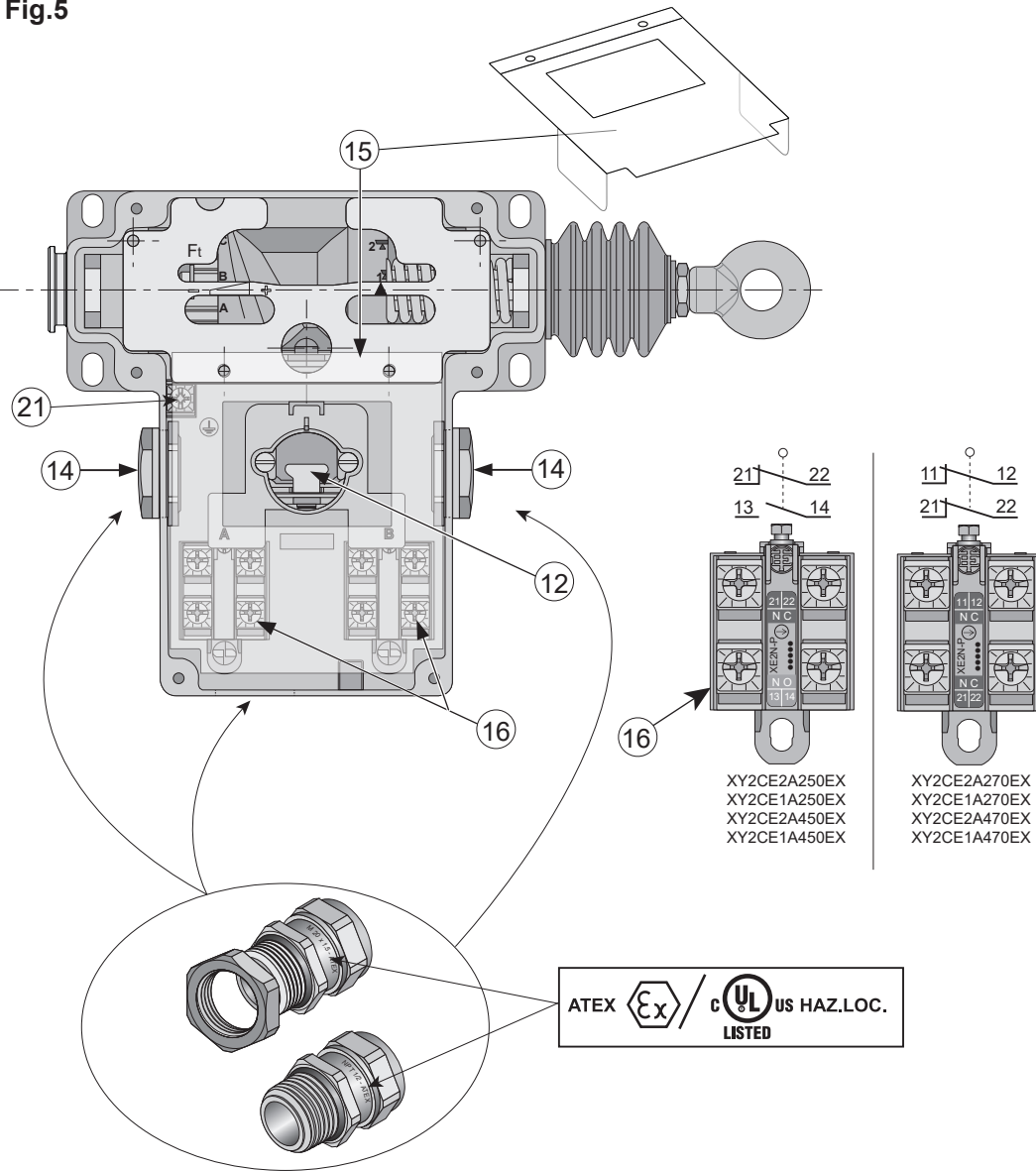


Fig.6

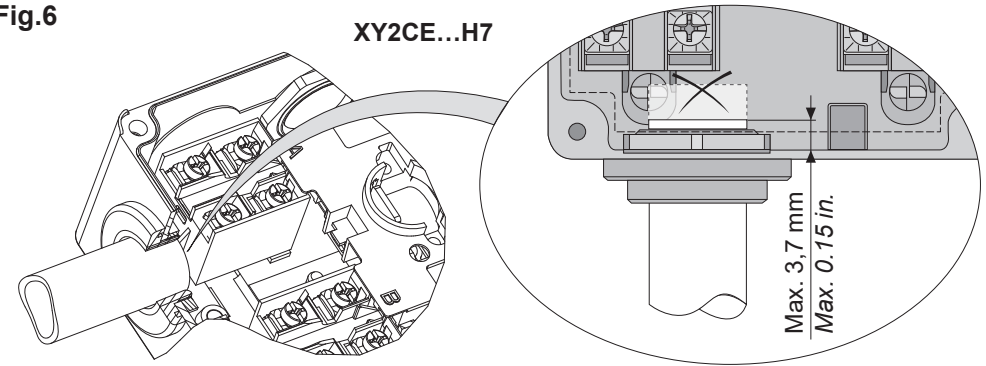


Fig. 7 Setting with the cable tensioner  
 Réglage avec le tendeur de câble  
 Einstellung mit dem Spanngerät  
 Ajuste mediante el tensor del cable  
 Regolazione con il tenditore cavo  
 使用线缆拉紧器设置

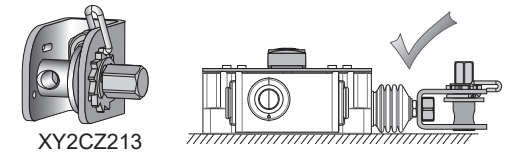


Fig.7A

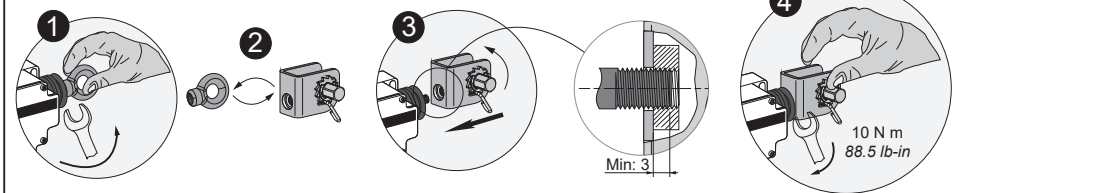


Fig.7B

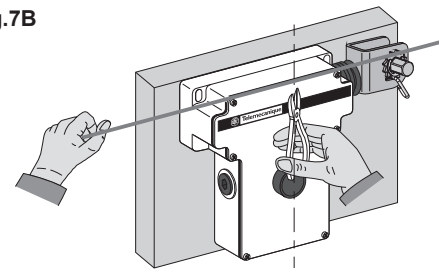


Fig.7D

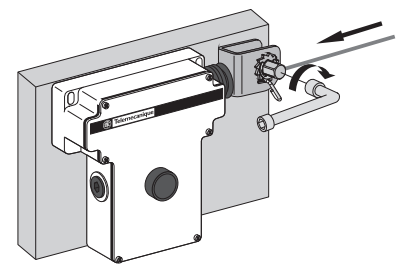


Fig.7C

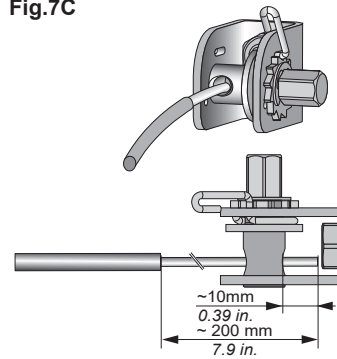


Fig.7E

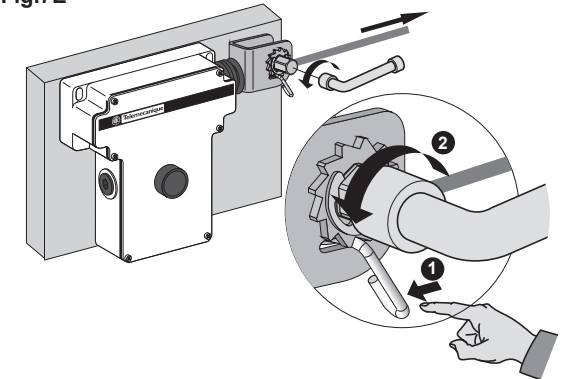


Fig. 8

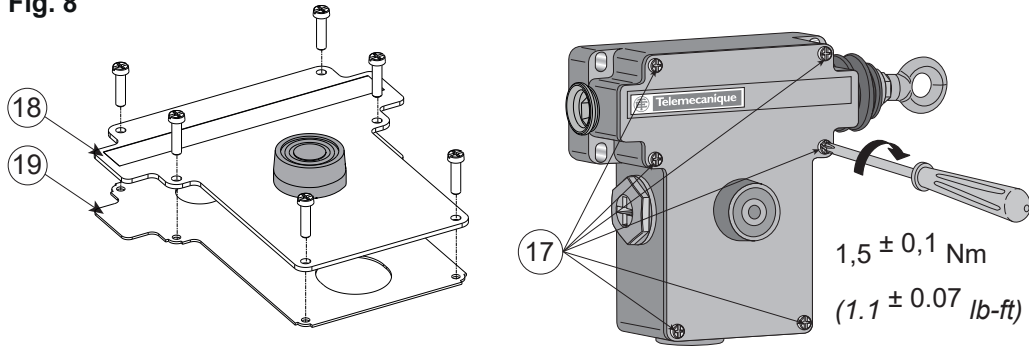


Fig.9

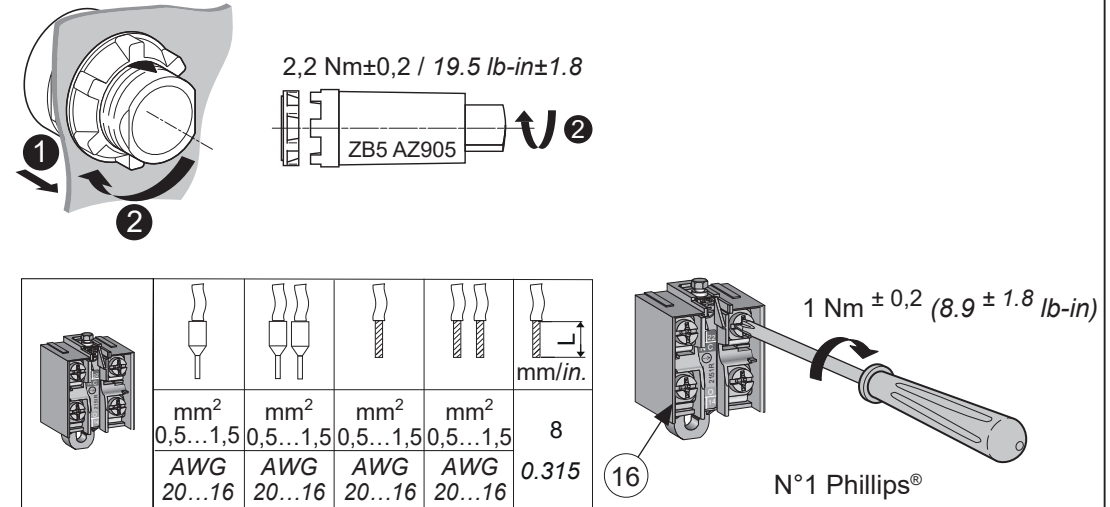
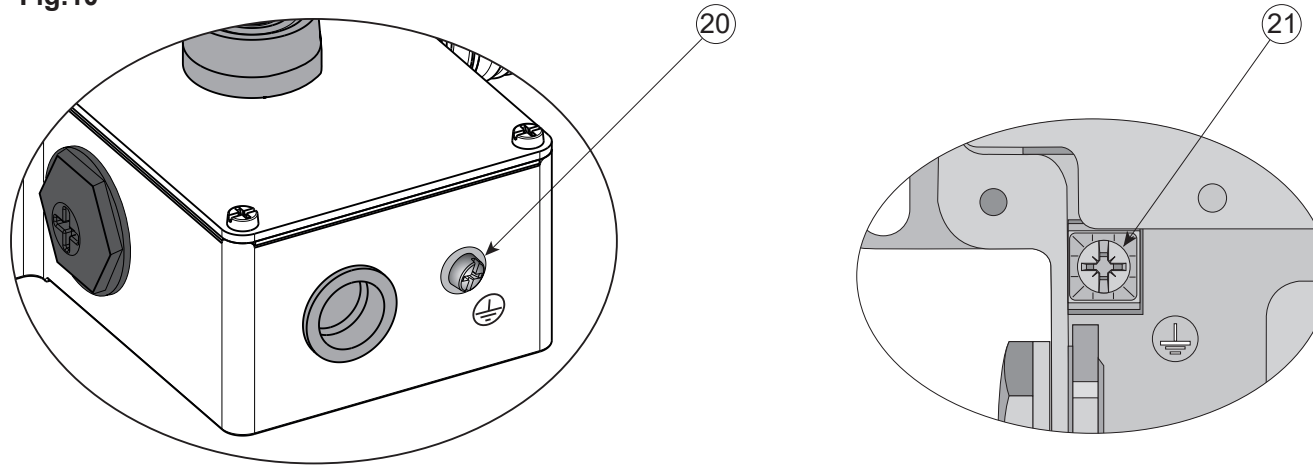
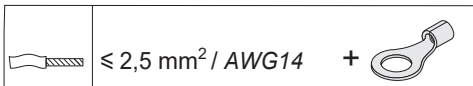


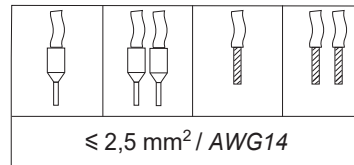
Fig.10



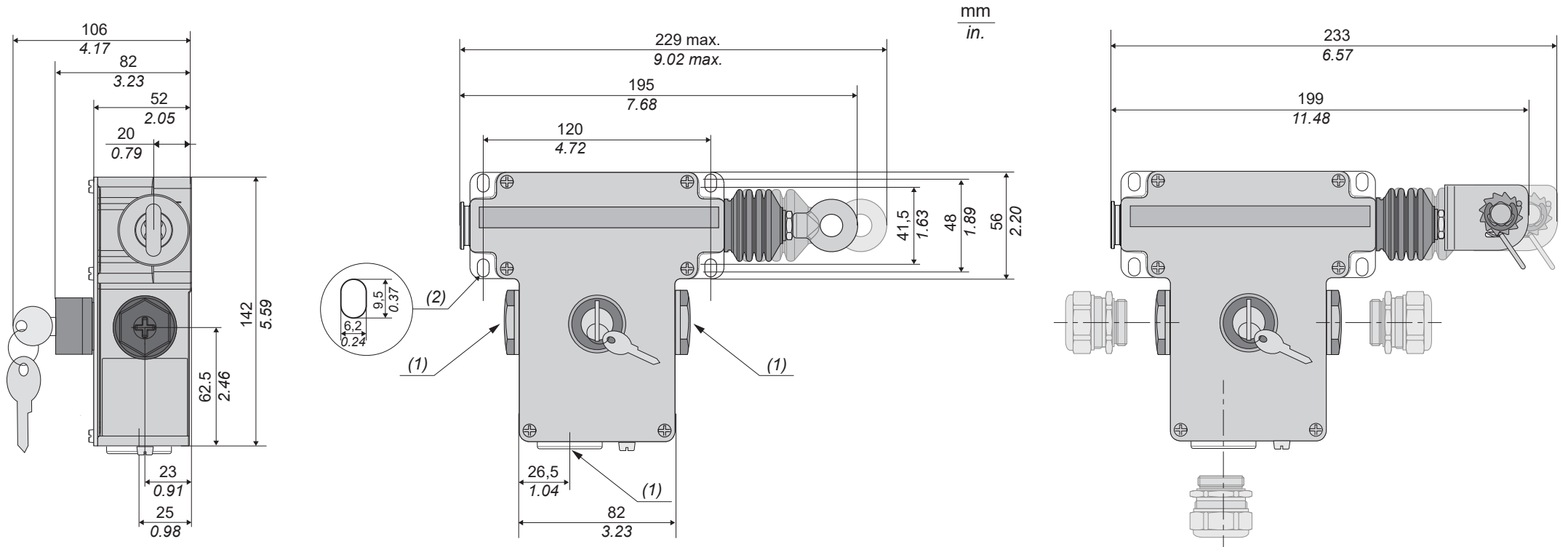
20 : External Unit's earth connection / Raccordement externe du boîtier à la terre  
 Externer Anschluss des Gehäuse an dem Erde / Conexión externa a tierra de la caja  
 Messa esterno a terra della custodia / 外部装置的接地连接



21 : Internal Unit's earth connection / Raccordement interne du boîtier à la terre  
 Interner Anschluss des Gehäuse an dem Erde / Conexión a tierra de la caja  
 Messa interno a terra della custodia / 内部单元的接地连接



## Dimensions / Encombrements / Abmessungen / Dimensiones / Dimensioni / 尺寸



(2): 4 elongated holes for screw with a 6 mm / 0.24 in. diameter  
 4 trous oblongs pour vis de diamètre 6 mm  
 4 Langlöcher für Schrauben mit einem Durchmesser von 6 mm  
 4 agujeros alargados para tornillo con un diámetro de 6 mm  
 4 asole per viti con 6 mm di diametro  
 4个插槽用于螺杆6毫米直径

(1): **XY2CE●●●EX**  
 3 untapped holes for inserting cables in the ATEX certified ISO M20 cable gland  
 3 trous lisses "entrée de câble" pour presse-étoupe ISO M20 certifié ATEX  
 3 glatte Bohrungen als Kabelöffnung für die Kabeleinführungen ISO M20, ATEX-geprüft  
 3 orificios lisos para la entrada del cable para prensaestopa ISO M20 certificado ATEX.  
 3 fori lisci per ingresso cavo per pressacavo ISO M20 certificato ATEX  
 3洞“电缆入口”对电缆接头ISO M20 ATEX认证

(1): **XY2CE●●●H7EX**  
 3 tapped holes 1/2 NPT for Hazardous Location certified cable-gland or plug (EX Tb IIIC T85°C Db IP65)  
 3 trous taraudés 1/2 NPT pour presse-étoupe ou bouchons certifiés Hazardous Location (EX Tb IIIC T85 ° C Db IP65)  
 3 Gewindebohrungen 1/2 NPT für Hazardous Location Kabelverschraubungen oder Stecker (EX Tb IIIC T85 ° C Db IP65)  
 3 orificios roscados 1/2 NPT para prensaestopas o enchufe certificados para Hazardous Location (EX Tb IIIC T85 ° C Db IP65)  
 3 fori filettati 1/2 NPT per pressacavo o spina certificato Hazardous Location (EX Tb IIIC T85 ° C Db IP65)  
 3个螺纹孔1/2 NPT, 用于Hazardous Location 认证的电缆接头或插头 (EX Tb IIIC T85 ° C Db IP65)

**Rated operating power** (Electrical durability)

**Puissance assignée d'emploi** (Durabilité électrique)

**Bemessungsbetriebsleistung** (Elektrische Lebensdauer)

**Potencia nominal de funcionamiento** (Durabilidad eléctrica)

**Potenza nominale di funzionamento** (Durata elettrica)

额定工作功率 (电寿命)

Conforming to EN/IEC 60947-5-1 Appendix C.  
Utilisation categories AC-15 and DC-13  
Frequency: 3600 operating cycles/hour.  
Load factor: 0.5

Según EN / IEC 60947-5-1 Apéndice C.  
categorías de utilización AC-15 y DC-13  
Frecuencia: 3600 ciclos de maniobra / hora.  
El factor de carga: 0,5

Selon EN/IEC 60947-5-1 annexe C.  
Catégories d'emploi AC-15 et DC-13  
Fréquence : 3600 cycles de manoeuvres/heure.  
Facteur de marche : 0,5

Secondo EN / IEC 60947-5-1 Appendice C.  
categorie utilizzo AC-15 e DC-13  
Frequenza: 3600 cicli di manovre / ora.  
Fattore di carico: 0.5

Gemäß EN / IEC 60947-5-1 Anhang C.  
Gebrauchskategorien AC-15 und DC-13  
Frequenz: 3600 Schaltspiele / Stunde.  
Belastungsfaktor : 0.5

符合EN/ IEC60947-5-1附录C.  
应用类别AC-15和DC-13  
频率：3600个操作周期/小时。  
负载率：0.5

**AC power supply** ~ 50/60 Hz  
~ Inductive circuit

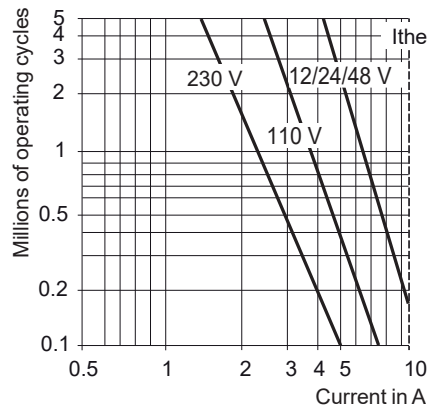
**Alimentation AC** ~ 50/60 Hz  
~ Circuit Selfique

**AC-Stromversorgung** ~ 50/60 Hz  
~ Induktive Schaltung

**fuentes de alimentación AC** ~ 50/60 Hz  
~ Circuito inductivo

**alimentazione AC** ~ 50/60 Hz  
~ Circuito induttivo

交流电源50/ 60Hz的  
~ 感应电路



**DC power supply** ---  
Switching capacity in W  
for 1 million operating cycles.  
~ Inductive circuit

**Fuente de alimentación DC** ---  
Poder de corte en W  
para 1 millón de ciclos de funcionamiento.  
~ Circuito inductivo

**Alimentation DC** ---  
Capacité de commutation en W  
pour 1 million de cycles de  
manoeuvres.  
~ Circuit selfique

**alimentazione DC** ---  
Capacità di commutazione in W  
per 1 milione di cicli di funzionamento.  
~ Induttivo Circuito

**Gleichstromquelle** ---  
Schaltleistung in W  
für 1 Million Schaltspiele  
~ Induktive Schaltung

**直流电源** ---  
以W开关容量  
1百万个操作周期。  
~ 电感电路

Voltage	V	24	48	120
~	W	13	9	7

**EX** Zone 21 - 22  
 II 2 D - Ex tb IIIC T85°C Db IP65

EC type examination certificate:  
 INERIS 04ATEX0015X - IECEx INE 16.0001X

EN/IEC 60079-0  
 EN/IEC 60079-31



Ind. Cont. Eq. for Use in HAZ. LOC.  
 Zn21 AEx tb IIIC T85°C  
 Zn21 Ex tb IIIC T85°C Db

UL 60079-0  
 UL 60079-31

CSA C22.2 N°60079-0:15  
 CSA C22.2 N°60079-31:15

**en EMERGENCY STOP ROPE PULL SWITCHES**

**Use of this device must be solely limited to making emergency stops using a trip wire.**  
 These devices must be installed, used and maintained in accordance with:  
 - Standard EN 60079-14 (Explosive atmospheres), part 14 (Electrical installations design, selection and erection).  
 - Standard EN 60079-17 (Explosive atmospheres), part 17 (Electrical installations inspection and maintenance).  
 - Standard EN 60079-31 (Explosive atmospheres), part 31 (Equipment dust ignition protection by enclosure "t").  
 - Standard NF C 15 100 (Low voltage electrical installations) – European equivalent: IEC 60364.  
 - UL 60079-0, 6th Edition, Explosive atmospheres - Part 0: Equipment - General requirements - Revision Date 2017/10/20  
 - UL 60079-31, 2nd Edition, Explosive Atmospheres – Part 31: Equipment Dust Ignition Protection by Enclosure "t" – Issue Date 2015/06/12  
 - CSA C22.2 No. 60079-0:15, Explosive atmospheres - Part 0: Equipment - General requirements – Edition 3 – Issue Date 2015/10  
 - CSA C22.2 No. 60079-31:15, Explosive Atmospheres - Part 31: Equipment Dust Ignition Protection by Enclosure "t" – Edition 2 – Issue Date 2015/10.  
 - regulations governing setup of the zone or zones for which the devices were designed.  
**We cannot accept any responsibility for failure to observe these regulations.**  
 Device installation, operation and maintenance must be carried out by approved, qualified staff.

**Liability for manufacturer traceability (serial number specified on the certification label) is ensured at the first known delivery destination.**

**● Characteristics**

Mechanical durability	60000 operation cycles				
Maximum safety level (1)	PL=e, category 4 conforming to EN/ISO 13849-1 and SIL 3 conforming to EN/IEC 61508				
Reliability data B10d	300.000 (data value for a service life of 20 years can be limited by contact and mechanical wear)				
Ambient air temperature	Operation: - 20...+ 60 °C / - 4...140 °F - Storage : - 40...+ 70 °C / - 40...158 °F (Store products in their original packaging, in a dry place)				
Degree of protection according to IEC 60529	IP 65				
Rated electric characteristics of use	AC15 ; A300 (Ue=240V, Ie=3A) DC13 ; Q300 (Ue=250V, Ie=0,27A)				
Short-circuit protection	10A gG (gI) cartridge fuse installed out of the ATEX area				
Connection	Screw clamp terminal - 3 cable entries for ISO M20 cable gland				
Clamping capacity	min 1 x 0,5 mm² - max 1 x 2,5 mm² or 2 x 1,5 mm²				
Cable length	70 m / 230 ft.. Distance between cable supports: 2,5...5 m / 8,2...16,4 ft. <b>Fig. 1</b>				
Reset	Booted pushbutton		Key release mushroom head pushbutton (key no. 421)		
Cable anchor points	left	right	left	right	
Slow-break action	(NC + NO)	<b>XY2CE2A250EX (2)</b>	<b>XY2CE1A250EX (2)</b>	<b>XY2CE2A450EX (2)</b>	<b>XY2CE1A450EX (2)</b>
	(NC + NC)	<b>XY2CE2A270EX (2)</b>	<b>XY2CE1A270EX (2)</b>	<b>XY2CE2A470EX (2)</b>	<b>XY2CE1A470EX (2)</b>

(1): Using an appropriate and correctly connected control system.  
 (2): For 1.2"NPT cable entry models, the reference is ending with "H7EX"

**▲ DANGER**

**RISK OF PHYSICAL INJURY**

- Inspect the cable in its entirety to identify the reason for the emergency stop order before restarting.
- Use only Telemecanique Sensors accessories and Telemecanique Sensors Ø 5mm cable.
- Mount the product to its support using 4 screws.
- Use only NC contacts for the emergency stop safety function
- The use of 1 end-spring XY2CZ702 is mandatory.
- Place the cable guides or pulleys no less than 2,5 meters (8.2 ft.) and no more than 5 meters (16.4 ft.) apart from each other.
- Remove all objects placed on or masking the cable.
- Ensure that the cable is free to move.
- Ensure that the cable is accessible along the entire traction zone.
- Check that none of the device components is deformed by an electrical cable once the cover is closed.
- Check that the cover is securely closed.
- Check that the device, cable and accessories are securely mounted in place.
- Check the product installation, setting and functioning based on the information provided in this instruction manual.
- Check the proper working of the XY2CE...EX, cables and accessories after installation and after any work is done on the installation.

**Failure to follow these instructions will result in death or serious injury.**

**▲ ▲ DANGER**

**RISK OF ELECTRICAL SHOCK, EXPLOSION OR ARC FLASH**

- Before any intervention, switch off the power supply of the equipment acting as the support.
- Before any work is done, switch off the power supply of the device.
- Take care not to damage the parts of the support that are normally powered.
- Visually inspect the good condition of the product.
- Use appropriate personal protective equipment (PPE) and follow the recommended instructions for electrical environments. (see NFPA 70E).
- Always use an appropriate electrical measuring device to confirm that the entire installation is powered down.
- Use ATEX/IECEx IP 65 cable glands.
- Protect the installation against power surges.

**Failure to follow these instructions will result in death or serious injury.**

**▲ WARNING**

**RISK OF PHYSICAL INJURY**

- Secure the cable traction zone.
- Do not pull on the cable while adjusting cable tightness.
- Check the tightness of parts such as bellows, gaskets, push button, etc.
- The bellows of the steel pusher and the push-button have to be protected from light.
- Ensure that the product is anchored along the same axis as the cable.
- Configure the device based on the ambient temperature.
- Ensure that the reset button zone remains accessible.
- Remove the cable before dismantling the XY2CE...EX.

**Failure to follow these instructions can result in death, serious injury, or equipment damage.**

**● Installation constraints**  
 Do not use a device if it is damaged  
 Check that the product's labeling specifications are compatible with the conditions permitted for the Ex zone at the site where it is being used:  
 (Group II: Surface industries - Category 2: high protection level - D: Dust - IPxx: degree of protection (protection against solids and liquids) - T85°C: max.surface temperature)  
 The installation must be horizontal.  
 The entire cable length must be visible from the emergency stop device (ISO 13850)  
 The maximum length of the installation must not exceed 70 m (230 ft.) (fig.1).  
 The installation must be performed with an ambient temperature corresponding to the average of the operating temperature range.  
 The maximum cable length must be compatible with acceptable temperature differences (Fig. 2).

- Installation (fig. 1)**
- Mount the device ① to a rigid support using 4 M6 cylindrical head screws through holes ② (tightening torque = 4±0.5 N.m / 2.95±0.37 lb.ft).
  - Securely fasten the cable guides ③ to rigid elements in compliance with the specified distance.
  - Attach the end springs ④ to a rigid element.
  - Connect the cable ③ to the end spring ④ using a cable clamp ⑥.
  - Pass the cable ③ through all the cable guides ⑤.
  - Connect the cable ③ to the product ①.
    - Turnbuckle use (fig. 1 and 2A)
      - Connect the cable ③ to the turnbuckle ⑦ using a cable clamp ⑥.
      - Connect the turnbuckle ⑦ to the device ① with a portion of cable ③ by passing through the cable guides ⑤ and using cable clamps ⑥.
      - Tighten the cable ③ by turning the turnbuckle ⑦.
    - Tensioner use (fig. 2B and 7)
      - Unscrew the front ring XY2CZ501 and replace it with the tensioner XY2CZ213 (fig. 7A).
      - Cut the cable at the center axis of the device (fig. 7B).
      - Strip the cable 200 mm / 7.87 in. and pass it into the tensioner (fig. 7C).
      - Tighten the cable ③ by turning the tensioner (fig. 7D).
      - If necessary, untighten the cable (fig. 7E).

**NOTE :** The list of accessories and spring can be found in the Telemecanique Sensors catalog. A support or element may be described as "rigid" if it is capable of supporting a load of 2,000 N in all directions of stress.

- Setting**
- Remove the cover ⑱ from the device ① by unscrewing the six screws ⑰.
  - Use the turnbuckle ⑦ or the tensioner XY2CZ213 to tighten the cable ③ until it is aligned with the index ⑩ opposite point ⑪.
  - Rotate the cam ⑧ to position it where required, based on the maximum allowable temperature difference in operation (fig. 3).
  - Use the turnbuckle ⑦ or the tensioner XY2CZ213 to reajust the position of the index ⑩.
  - Arm the device by pressing the switch ⑫ : you should hear a "click".
  - Trip the device by pulling the cable ③.
  - Repeat the steps 5 and 6 until the installation is stable.
  - Check the position of the index ⑩ and repeat the steps 4 to 8 if required.
  - Mount the cover ⑱ onto the device ① using the six screws ⑰ (tightening torque = 1,5±0,1 Nm / 1.1±0.07 lb.ft) (fig. 8) or move to the wiring stage. Before closing the cover ⑱, ensure that the seal ⑲ is in good condition and in the correct position.

**NOTE:** You can compensate for expansion/contraction of the cable by adjusting the configuration to take account of temperature variations:  
 • Fig.4a: anticipation of a fall in temperature,  
 • Fig.4b: anticipation of a rise in temperature

- Wiring (fig. 9 and 10)**
- Remove the cover ⑱ from the device ① by unscrewing the 6 screws ⑰.
  - If the pre-mounted cable gland is not at the right place for the application, unscrew the blanking plug ⑭ depending on the desired point of entry.
  - Mount the cable gland by respecting its mounting instructions.
  - Re-mount the blanking plug ⑭ and its nut into the empty hole (tightening torque = 1±0,1 Nm / 0.73±0.07 lb.ft).
  - Lift the protective sheet ⑮ without damaging it.
  - Connect the electrical cables to the yoke screw terminals ⑯ (tightening torque = 1±0,2 Nm / 0.73±0.15 lb.ft).
  - Check that there are no cables passing through the reset switch area ⑮.
  - Carefully put back in place the protective sheet ⑮.
  - Mount the cover ⑱ onto the device ① using the six screws ⑰ (tightening torque = 1,5±0,1 Nm / 1.1±0.07 lb.ft) (fig. 8). Before closing the cover ⑱, ensure that the seal ⑲ is in good condition and in the correct position.

**NOTE:**  
 - For external unit's earth connection ⑳ and for internal unit's earth connection ㉑, see fig.10.  
 - Version XY2CE...H7 (rigid tube connection): see fig. 6.  
 - Use suitable cables and cable-glands to a minimum temperature of 65 °C for an ambient temperature of 60 °C.

**● Servicing and maintenance**  
**The intervals for carrying out servicing and maintenance must be set according to the environment and climatic variations.**  
 • The proper functioning of the XY2CE...EX and its operating line must be checked on a regular basis based on the level of security required by the application (e.g. number of operations, level of environmental pollution, etc.).  
 • Ensure that the device does not become covered in layers of dust: please vacuum regularly.  
 • Do not open when the device is on.  
 • Check the condition of the fixing supports.  
 • The bellows and pushbutton shall be protected from light.  
 • Provision shall be made to prohibit the product from being exposed to mechanical impacts while in use.  
 • Care shall be taken not to install the equipment where propagating brush discharge may occur.  
 • Device shall be cleaned using a damp cloth, compressed air must not be used.  
 • The following items must be checked at least once a year or following a lengthy stoppage period:  
 • All external parts must be undamaged.  
 • the condition and operation of the cable and cam.  
 • if the product or one of its accessories (cable, turnbuckle, etc.) is damaged it must be replaced by identical equipment/parts.  
 • all the screws and cable glands are properly tightened.  
 If any of the items checked is defective, it must be replaced immediately. If the devices are used at the limits of the temperature (- 20...+ 60 °C / - 4...140 °F) and humidity (50 to 95 %) ranges, check the integrity of the connecting devices at regular intervals.  
 • The viewing window ⑬ allows you to check at any time that cable tension is correct (fig. 2)  
 • The replacement of the rearming button (of the same type) must comply with the diagram (fig. 9).

**NOTE:** During regular maintenance, you must check the following:  
 • The tightening torque of the screws and XY2CE...EX components as well as the other accessories (turnbuckle, cable clamp, cable guide, etc.).  
 • The good condition of the cable and related components (turnbuckle, cable clamp, cable guide, etc.).  
 The cable sheath can show signs of fair wear and tear but this must not block the moving of the cable in its accessories. If the cable sheath is damaged, change the cable.  
 • The good condition of the XY2CE...EX bellows. No holes or cracks must be present. If the bellows are worn out, change the XY2CE...EX.  
 • Product rearming: Pull the cable, check that the installation is stopped and rearm the product.

**● Dismantling / Recycling**  
 Dismantle the cable ③ before the XY2CE...EX.  
**NOTE :** The internal mechanism and electrical contact blocks are fitted with springs that may generate flying parts.



## XY2CE●●●EX / XY2CE●●●H7EX



Zone 21 - 22  
II 2 D – Ex tb IIIC T85°C Db IP65

Numéro d'attestation d'examen CE de type :  
INERIS 04ATEX0015X - IECEx INE 16.0001X

EN/IEC 60079-0  
EN/IEC 60079-31



Ind. Cont. Eq. for Use in HAZ. LOC.  
Zn21 AEx tb IIIC T85°C  
Zn21 Ex tb IIIC T85°C Db

UL 60079-0  
UL 60079-31

CSA C22.2 N°60079-0:15  
CSA C22.2 N°60079-31:15

## COMMANDE D'ARRET D'URGENCE PAR CABLE DE TRACTION

L'utilisation de cet appareil doit se limiter à la fonction d'arrêt d'urgence à câble.

Ces matériels doivent être installés, utilisés et entretenus conformément :

- à la norme EN 60079-14 (Atmosphères explosives), partie 14 (Conception, sélection et construction des installations électriques).
- à la norme EN 60079-17 (Atmosphères explosives), partie 17 (Inspection et entretien des installations électriques).
- à la norme EN 60079-31 (Atmosphères explosives), partie 31 (Protection du matériel contre l'inflammation des poussières par enveloppe "I").
- à la norme NF C 15 100 (Installations électriques à basse tension) - Équivalence Européenne : IEC 60364.
- UL 60079-0, 6ème édition, Atmosphères explosives - Partie 0: Matériel - Exigences générales - Date de révision 20/10/2017.
- UL 60079-31, 2ème édition, Atmosphères explosives - Partie 31: Protection du matériel contre l'inflammation des poussières par enveloppe "I" - Date de publication 12/06/2015.
- CSA C22.2 N° 60079-0:15, Atmosphères explosives - Partie 0: Matériel - Exigences générales - Édition 3 - Date de publication 10/2015.
- CSA C22.2 N° 60079-31:15, Atmosphères explosives - Partie 31: Protection du matériel contre l'inflammation des poussières par enveloppe "I" - Édition 2 - Date de publication 10/2015.
- aux règles de l'art d'installation de la ou les zones pour lesquelles il a été conçu.

**Le non-respect de celles-ci ne saurait engager notre responsabilité**

L'installation, la mise en service et la maintenance de cet appareil doivent être réalisées par du personnel qualifié et habilité.

**La responsabilité de la traçabilité constructeur (numéro de série indiqué sur l'étiquette de certification) est assurée au premier lieu de livraison connu**

### ● Caractéristiques

Durabilité mécanique	60000 cycles de manœuvres				
Niveau de sécurité maximale (1)	PL=e, category 4 selon EN/ISO 13849-1 et SIL 3 selon EN/IEC 61508				
Données de fiabilité B10d	300.000 (la valeur des données pour une durée de 20 ans peut être limitée par l'usure due aux contacts et par l'usure mécanique)				
Température de l'air ambiant	Fonctionnement : - 20...+ 60 °C - Stockage : - 40...+ 70 °C (Stockez les produits dans leur emballage d'origine, dans un endroit sec)				
Degré de protection selon IEC 60529	IP 65				
Caractéristiques électriques assignées d'emploi	AC15 ; A300 (Ue=240V, Ie=3A) DC13 ; Q300 (Ue=250V, Ie=0,27A)				
Protection contre les courts-circuits	Cartouche fusible 10A gG (gl) installée hors de la zone ATEX				
Raccordement	Bornes vis étrier - 3 entrées de câble pour presse-étoupe ISO M20				
Capacité de raccordement	min 1 x 0,5 mm <sup>2</sup> - max 1 x 2,5 mm <sup>2</sup> ou 2 x 1,5 mm <sup>2</sup>				
Longueur du câble	70 m. Distance entre les guides-câble : 2,5...5 m <b>Fig. 1</b>				
Réarmement	Bouton-poussoir capuchonné				
Ancrage du câble	à gauche	à droite	à gauche	à droite	
A action dépendante	(NF + NO)	XY2CE2A250EX (2)	XY2CE1A250EX (2)	XY2CE2A450EX (2)	XY2CE1A450EX (2)
	(NF + NF)	XY2CE2A270EX (2)	XY2CE1A270EX (2)	XY2CE2A470EX (2)	XY2CE1A470EX (2)

(1): En utilisant un système de contrôle approprié et correctement connecté.

(2): Pour les modèles avec entrée câble 1/2"NPT, la référence se termine par "H7EX"

### ▲ DANGER

#### RISQUE DE DOMMAGES CORPORELS

- Inspecter toute la longueur du câble afin de déterminer la raison de l'ordre d'arrêt d'urgence avant la remise en service.
- Utiliser uniquement les accessoires et le câble Ø 5 mm de Telemecanique Sensors.
- Fixer le produit sur son support par l'intermédiaire de 4 vis.
- Utiliser uniquement des contacts NF pour la fonction de sécurité d'arrêt d'urgence.
- Utiliser impérativement un ressort d'extrémité XY2CZ702.
- Espacer les guide-câbles ou les poulies de 2,5 mètres au minimum et de 5 mètres au maximum.
- Oter les objets placés sur le câble ou le masquant.
- Laisser le câble libre de son mouvement.
- Rendre accessible le câble dans toute sa zone de traction.
- Vérifier qu'aucun câble électrique ne déforme les composants de l'appareil après fermeture du couvercle.
- Vérifier la bonne fermeture du couvercle.
- Vérifier la bonne fixation de l'appareil, du câble et des accessoires.
- Vérifier l'installation, le réglage et le fonctionnement de l'XY2CE...EX suivant les informations décrites dans cette notice.
- Vérifier le bon fonctionnement des XY2CE...EX, câbles et accessoires après l'installation et après toute intervention sur l'installation.

**Le non-respect de ces instructions provoquera la mort ou des blessures graves.**

### ▲▲ DANGER

#### RISQUE DE CHOC ÉLECTRIQUE, D'EXPLOSION, OU D'ARC ÉLECTRIQUE

- Avant toute intervention, couper l'alimentation électrique de l'équipement servant de support.
- Avant toute intervention, couper l'alimentation du dispositif.
- Ne pas endommager les parties du support normalement sous tension.
- Vérifier le bon état du produit par son aspect.
- Équipez-vous d'un équipement de protection individuel approprié (EPI) et suivez les préconisations de travail en environnement électrique (voir NFPA 70E).
- Toujours utiliser un appareil de mesures électriques approprié pour confirmer l'absence de tension dans toute l'installation.
- Utiliser une presse-étoupe ATEX/IECEX IP 65.
- Protéger l'installation contre les surtensions.

**Le non-respect de ces instructions provoquera la mort ou des blessures graves.**

### ▲ AVERTISSEMENT

#### RISQUE DE DOMMAGES CORPORELS

- Sécuriser la zone de traction du câble.
- Ne pas tirer sur le câble pendant le réglage de la tension du câble.
- Vérifiez le bon état des parties impliquées dans l'étanchéité du produit (soufflets, joints, bouton-poussoir ...).
- Le soufflet du poussoir en acier et le bouton-poussoir doivent être protégés de la lumière.
- Aligner l'axe d'ancrage du produit par rapport au câble.
- Régler l'appareil en fonction de la température ambiante.
- Laisser libre la zone du bouton de réarmement.
- Retirer le câble avant de démonter l'XY2CE...EX

**Le non-respect de ces instructions peut provoquer la mort, des blessures graves ou des dommages matériels.**

### ● Contraintes d'installation

Ne pas mettre en service un appareil endommagé.

Vérifier que les indications de marquage du produit sont compatibles avec les conditions admissibles pour la zone Ex du site d'utilisation : (**Groupe II** : Industries de surface - **Catégorie 2** : haut niveau de protection - **D** : Poussières - **IPxx** : degré de protection (étanchéité aux solides et aux liquides) - **T85°C** : température max. de surface).

L'installation doit être horizontale et rectiligne.

Toute la longueur de câble doit être visible depuis l'appareil d'arrêt d'urgence (ISO 13850)

La longueur maximale de l'installation ne doit pas dépasser 70 m (fig.1).

L'installation doit être effectuée avec une température ambiante correspondant à la moyenne de la plage de température de fonctionnement.

La longueur maximale de câble doit être compatible avec les écarts de température admissibles (fig. 2).

### ● Installation (fig. 1)

- Fixer solidement l'appareil ① sur un support rigide par l'intermédiaire de 4 vis M6 en acier à tête cylindrique à travers les trous ② (couple de serrage = 4±0,5 N.m).
- Fixer solidement les guides-câble ⑤ sur des éléments rigides en respectant l'écartement spécifié.
- Accrocher le ressort d'extrémité ④ sur un élément rigide.
- Lier le câble ③ au ressort d'extrémité ④ à l'aide d'un serre-câble ⑥.
- Faire passer le câble ③ dans tous les guides-câble ⑤.
- Raccorder le câble ③ au produit ①.
  - Utilisation du ridoir (fig.1 et 2A)
    - Lier le câble ③ au ridoir ⑦ à l'aide d'un serre-câble ⑥.
    - Raccorder le ridoir ⑦ à l'appareil ① avec une portion de câble ③ en passant à travers les guides-câble ⑤ et en utilisant des serres-câble ⑥.
    - Tendre le câble ③ en faisant tourner le ridoir ⑦.
  - Utilisation du tendeur (fig.2B et 7)
    - Dévisser l'anneau de tête XY2CZ501 et le remplacer par le tendeur XY2CZ213 (fig. 7A)
    - Couper le câble au niveau de l'axe médian du produit (fig. 7B)
    - Dénuder le câble sur 200 mm et le passer dans le tendeur (fig. 7C)
    - Tendre le câble ③ en faisant tourner le tendeur (fig. 7D)
    - Si besoin, détendre le câble (fig. 7E)

**NOTE** : La liste des accessoires et ressorts est disponible dans le catalogue Telemecanique Sensors. Un support ou un élément est dit « rigide » lorsqu'il peut supporter une charge de 2000 N dans toutes les directions de sollicitation.

### ● Réglage

- Oter le couvercle ⑩ de l'appareil ① en dévissant les six vis ⑰.
- Utiliser le ridoir ⑦ pour tendre le câble ③ jusqu'à l'alignement de l'index ⑪ face au repère ⑩.
- Positionner par rotation la came ⑧ à votre convenance en fonction de l'écart de température maximum admissible en fonctionnement (fig. 3)
- Utiliser le ridoir ⑦ pour réajuster la position de l'index ⑪.
- Armer l'appareil en appuyant sur le verrou ⑫ : un « clic » doit retentir
- Déclencher l'appareil par traction du câble ③.
- Répéter une fois les opérations 5 et 6
- Contrôler la position de l'index ⑪, et répéter les opérations 4 à 8 si nécessaire
- Fixer le couvercle ⑩ de l'appareil ① par l'intermédiaire des six vis ⑰ (couple de serrage = 1,5±0,1 N.m) (fig. 8) ou passer à l'étape de câblage. Avant de refermer le couvercle ⑩, veiller à ce que le joint d'étanchéité ⑨ soit en bon état et dans la bonne position.

**NOTE** : La dilatation du câble se compense par un réglage en fonction de la variation de température :

- **Fig.4a** : anticipation d'une baisse de température.
- **Fig.4b** : anticipation d'une hausse de température.

### ● Raccordement électrique (fig. 9 et 10)

- Oter le couvercle ⑩ de l'appareil ① en dévissant les six vis ⑰.
- Si le presse-étoupe pré-montée n'est pas au bon endroit pour l'application, dévisser le bouchon obturateur ⑭ en fonction de l'entrée souhaitée.
- Monter le presse-étoupe en respectant les instructions de montage.
- Revisser le bouchon obturateur ⑭ et son écrou dans le trou resté vide (couple de serrage = 1±0,1 N.m).
- Soulever le film protecteur ⑮ sans le détériorer.
- Raccorder les câbles électriques aux bornes à vis étriers ⑯ (couple de serrage = 1±0,2 N.m).
- Vérifier qu'aucun câble ne traverse la zone du verrou de réarmement ⑫.
- Repositionner correctement le film protecteur ⑮.
- Fixer le couvercle ⑩ de l'appareil ① par l'intermédiaire des six vis ⑰ (couple de serrage = 1,5±0,1 N.m) (fig. 8). Avant de refermer le couvercle ⑩, veiller à ce que le joint d'étanchéité ⑨ est en bon état et dans la bonne position.

### NOTE :

- Pour le raccordement externe du boîtier à la terre ⑳ et pour le raccordement interne du boîtier à la terre ㉑, voir fig.10.

- Version XY2CE...H7 (Raccordement par conduit rigide) : voir fig. 6.

- Utilisez des câbles et des presse-étoupes appropriés à une température minimale de 65 °C pour une température ambiante de 60 °C.

### ● Maintenance et entretien

**La périodicité des phases de maintenance et d'entretien doit être définie suivant l'environnement et les variations climatiques.**

- Le bon fonctionnement de l'XY2CE...EX et de sa ligne d'actionnement doivent être vérifiés périodiquement en fonction du niveau de sécurité requis par l'application. (Exemple = nombre de manœuvres , niveau de pollution environnante...)
- Éviter toute formation de couche de poussières : effectuer un nettoyage périodique par aspiration avec des moyens appropriés à la zone.
- Ne pas ouvrir lorsque l'appareil est sous tension.
- Vérifier l'état des supports de fixation.
- Le soufflet et le bouton-poussoir doivent être protégés de la lumière.
- Des dispositions doivent être prises pour empêcher le produit d'être exposé à des chocs mécaniques pendant son utilisation.
- Il faut veiller à ne pas installer l'équipement là où des décharges lumineuses (Effluves électriques) peuvent se produire..
- L'appareil doit être nettoyé avec un chiffon humide. L'air comprimé ne doit pas être utilisé.
- La vérification des points suivants doit être effectuée au moins une fois par an ou en cas d'arrêt prolongé :
  - l'ensemble des parties externes ne doit pas être endommagé.
  - L'état et le fonctionnement du câble et de la came.
  - Si le produit ou l'un de ses accessoires (câble, ridoir...) est endommagé, il devra être remplacé par un matériel identique.
  - L'ensemble des serrages des vis et presse-étoupe.

Si l'un des éléments vérifié est défaillant, procéder impérativement à son remplacement. Dans le cas d'un fonctionnement aux limites de température (-20° C...+60° C) et d'humidité (50 et 95 % humidité relative), vérifier régulièrement l'étanchéité des organes de connexion.

- La fenêtre de visualisation ⑬ permet à tout moment de vérifier la tension correcte du câble (fig. 2)
- Le remplacement du bouton de réarmement (de même type) doit être conforme au schéma (fig. 9).

**NOTE** : Lors de la maintenance périodique, vérifier :

- Le couple de serrage des vis et des composants de l'XY2CE...EX, et celui des autres accessoires (tendeur, ridoir, serre-câble, guide-câble...).
- L'état du câble et des autres éléments associés (tendeur, ridoir, serre-câble, guide-câble...).
- La gaine du câble peut être usée mais cette usure ne doit pas interdire le libre déplacement du câble dans les accessoires. Si la gaine se déchire ou si des lambeaux apparaissent, changer le câble.
- L'état du soufflet de l'XYCE...EX : Aucun trou, fente ou craquelure ne doivent être présents. Si un des soufflets est détérioré, changer l'XY2CE...EX.
- Le réarmement du produit : Actionner le câble, vérifier que l'installation est arrêtée et réarmer le produit

### ● Démontage / Recyclage

Démonter le câble ③ avant l'XY2CE...EX.

**NOTE** : Le mécanisme interne et les blocs de contacts électriques sont équipés de ressorts pouvant engendrer la projection de pièces.

**CE-Bescheinigungsnummer, Typ :**  
**II 2 D – Ex tb IIIC T85°C Db IP65**  
**INERIS 04ATEX0015X - IECEX INE 16.0001X**

**EN/IEC 60079-0**  
**EN/IEC 60079-31**



**Ind. Cont. Eq. for Use in HAZ. LOC.**  
**Zn21 AEx tb IIIC T85°C**  
**Zn21 Ex tb IIIC T85°C Db**

**UL 60079-0**  
**UL 60079-31**

**CSA C22.2 N°60079-0:15**  
**CSA C22.2 N°60079-31:15**

**SEILZUGNOTSCHALTER**

**Die Verwendung dieses Geräts muss auf die Not-Aus-Funktion per Kabel beschränkt sein.**  
 Das Material ist gemäß folgender Normen und Richtlinien zu installieren, einzusetzen und zu warten:  
 - Norm EN 60079-14 (Explosionsfähige Atmosphäre), Teil 14 (Projektierung, Auswahl und Errichtung elektrischer Anlagen).  
 - Norm EN 60079-17 (Explosionsfähige Atmosphäre), Teil 17 (Prüfung und Instandhaltung elektrischer Anlagen).  
 - Norm EN 60079-31 (Explosionsfähige Atmosphäre), Teil 31 (Geräte-Staubexplosionsschutz durch Gehäuse "t").  
 - Norm NF C 15 100 (Niederspannungsanlagen) – Europäische Entsprechung: IEC 60364.  
 - UL 60079-0, 6. Ausgabe, Explosionsfähige Atmosphäre - Teil 0: Ausrüstung - Allgemeine Anforderungen - Überarbeitet am 20/10/2017.  
 - UL 60079-31, 2. Ausgabe, Explosionsfähige Atmosphäre - Teil 31: Staubexplosionsschutz durch Gehäuse "t" - Ausgabedatum 2015.06.12.  
 - CSA C22.2 Nr. 60079-0:15, Explosionsfähige Atmosphären - Teil 0: Ausrüstung - Allgemeine Anforderungen - Ausgabe 3 - Ausgabedatum 2015/10.  
 - CSA C22.2 No. 60079-31:15, Explosionsfähige Atmosphäre - Teil 31: Staubexplosionsschutz durch Gehäuse "t" - Ausgabe 2 - Ausgabedatum 2015/10.  
 - Dem Stand der Technik entsprechende Installationsrichtlinien des Bereichs oder der Bereiche, für den/die sie konzipiert wurden.

**Bei Nichteinhaltung dieser Vorschriften übernehmen wir keine Verantwortung.**  
 Die Installation, Inbetriebnahme und Wartung dieses Geräts muss von qualifiziertem und kompetentem Personal durchgeführt werden.

**Die Verantwortlichkeit der Hersteller-Rückverfolgbarkeit (Seriennummer auf dem Zertifikats-Etikett) ist für den ersten bekannten Lieferort gewährleistet.**

**Technische Daten**

mechanische Haltbarkeit	60000 Schaltspiele				
Maximale Sicherheitsniveau (1)	PL=e, category 4 gemäß EN/ISO 13849-1 and SIL 3 gemäß EN/IEC 61508				
Zuverlässigkeitsangaben B10d	300.000 (Datenwert für eine Betriebslebensdauer von 20 Jahren kann durch Berührung und mechanische Abnutzung eingeschränkt werden)				
Umgebungs-temperatur	Betrieb: - 20...+ 60 C° - Lagerung : - 40...+ 70 C° (Produkte in ihrer Originalverpackung an einem trockenen Ort aufbewahren)				
Schutzart gemäß IEC 60529	IP 65				
Zugeordnete elektrische daten	AC15 ; A300 (Ue=240V, Ie=3A) DC13 ; Q300 (Ue=250V, Ie=0,27A)				
Kurzschlußschutz	Sicherung 10A gG (gl) aus der ATEX-Bereich installiert				
Anschluss	Anschluss über Schraubklemmen - 3 Kabelöffnungen für ISO-M20-Kabeleinführungen				
Anschlusskapazität	min 1 x 0,5 mm² - max 1 x 2,5 mm² or 2 x 1,5 mm²				
Kabellänge	70 m. Distanz zwischen den Kabelhalterungen: 2,5...5 m <b>Abb. 1</b>				
Wiedereinschalten	Über verkapselten		Über Pilztaster mit Schlüssel - Nr. 421		
Anbringung der Kabel	links	rechts	links	rechts	
Bei abhängigem Betrieb	(NC + NO)	<b>XY2CE2A250EX (2)</b>	<b>XY2CE1A250EX (2)</b>	<b>XY2CE2A450EX (2)</b>	<b>XY2CE1A450EX (2)</b>
	(NC + NC)	<b>XY2CE2A270EX (2)</b>	<b>XY2CE1A270EX (2)</b>	<b>XY2CE2A470EX (2)</b>	<b>XY2CE1A470EX (2)</b>

(1): Unter Verwendung eines geeigneten und korrekt Steuersystem verbunden.  
 (2): Für 1/2 "NPT Kabeleinführung Modelle, die Referenz endet mit "H7EX"

**▲ GEFAHR**

**GEFAHR DER KÖRPERVERLETZUNG**

- Gesamtes Kabel untersuchen, um vor einem Neustart die Ursache für den Nothalt zu ermitteln.
- Nur Zubehör von Telemecanique Sensors und Kabel mit einem Querschnitt von Ø 5 mm von Telemecanique Sensors verwenden.
- Das Produkt mit 4 Schrauben auf seiner Unterlage befestigen.
- Für die Nothalt-Sicherheitsfunktion nur NC-Kontakte (Öffner) verwenden.
- Die Verwendung eines Erd-Feder XY2CZ702 ist obligatorisch.
- Die Kabelführungen oder Seilrollen nicht weniger als 2,5 Meter und nicht mehr als 5 Meter voneinander entfernt platzieren.
- Keine Gegenstände auf dem Kabel ablegen bzw. das Kabel nicht verdecken.
- Sicherstellen, dass sich das Kabel frei bewegen kann.
- Sicherstellen, dass das Kabel entlang des gesamten Zugbereichs zugänglich ist.
- Sicherstellen, dass keine Gerätekomponenten durch ein elektrisches Kabel deformiert werden, wenn die Abdeckung geschlossen ist.
- Überprüfen, dass die Abdeckung sicher geschlossen ist.
- Sicherstellen, dass Gerät, Kabel und Zubehör sicher in ihrer Position befestigt sind.
- Die Übereinstimmung von Produktinstallation, -einstellung und -betrieb mit den Informationen in dieser Benutzeranleitung überprüfen.
- Nach der Installation und nach Arbeiten an der Anlage den ordnungsgemäßen Betrieb des XY2CE...EX und die fehlerfreie Funktionsweise der Kabel und des Zubehörs überprüfen.

**Die Nichtbeachtung dieser Anweisungen kann schwerwiegende Körperverletzung oder Tod zur Folge haben.**

**▲▲ GEFAHR**

**GEFAHR EINES ELEKTRISCHEN SCHLAGS, EINER EXPLOSION ODER EINES LICHTBOGENS**

- Vor jedem Eingriff die Spannungsversorgung der als Unterlage fungierenden Ausrüstung abschalten.
- Vor jeglichen Arbeiten die Spannungsversorgung des Geräts abschalten.
- Die normal unter Spannung stehenden Teile der Unterlage nicht beschädigen.
- Eine Sichtprüfung durchführen, um den einwandfreien Zustand des Produkts zu gewährleisten.
- Eine geeignete persönliche Schutzausrüstung (PSA) verwenden und die empfohlenen Bedienungsanweisungen für elektrische Umgebungen befolgen (siehe NFPA 70E).
- Immer mithilfe eines geeigneten elektrischen Messgeräts sicherstellen, dass die Spannungszufuhr für die gesamte Anlage abgeschaltet wurde.
- Einen Kabelstutzen nach Atex/IECEX IP 65 verwenden.
- Die Installation vor Überspannung schützen.

**Die Nichtbeachtung dieser Anweisungen kann schwerwiegende Körperverletzung oder Tod zur Folge haben.**

**▲ WARNUNG**

**GEFAHR DER KÖRPERVERLETZUNG**

- Den Kabelzugbereich sichern.
- Bei der Anpassung der Kabelspannung nicht am Kabel ziehen.
- Festigkeit und Dichtigkeit von Komponenten wie Faltenbalgen, Dichtungen, Druckschaltern, usw. überprüfen.
- Das Faltenbalg des Stahlschiebers und der Druckknopf müssen vor Licht geschützt werden.
- Sicherstellen, dass das Produkt entlang derselben Achse wie das Kabel verankert ist.
- Das Gerät entsprechend der Umgebungstemperatur konfigurieren.
- Gewährleisten, dass der Bereich des Reset-Schalters zugänglich bleibt.
- Vor der Demontage des XY2CE...EX das Kabel entfernen

**Die Nichtbeachtung dieser Anweisungen kann Tod, schwere Verletzungen oder Materialschäden zur Folge haben.**

**Installationseinschränkungen**  
 Nie ein beschädigtes Gerät in Betrieb nehmen.  
 Prüfen, ob die Angaben der Produktkennzeichnung mit den für die EX-Bereiche des Einsatzortes gültigen Bedingungen kompatibel sind: (**Gruppe II:** Oberflächen-Industrie - **Kategorie 2:** hohes Schutzniveau - **D:** Stäube - **IPxx:** Schutzart (Dichtigkeit gegenüber festen und flüssigen Stoffen) - **T85°C:** max. Oberflächentemperatur).  
 Die Installation muss horizontal und geradlinig sein.  
 Das Kabel muss von der Nothalt-Vorrichtung aus über seine gesamte Länge sichtbar sein (ISO 13850).  
 Die Anlage darf eine Länge von 70 Metern nicht überschreiten (**Abb. 1**).  
 Die Installation hat bei einer Umgebungstemperatur zu erfolgen, die dem durchschnittlichen Betriebstemperaturbereich entspricht.  
 Die maximale Kabellänge muss mit akzeptablen Temperaturschwankungen kompatibel sein (**Abb. 2**).

- **Installation (Abb. 1)**
  1. Das Gerät ① mithilfe von 4 M6-Zylinderkopfschrauben über die Schraublöcher ② auf einer starren Unterlage befestigen (Anzugsmoment = 4±0,5 Nm).
  2. Die Kabelführungen ⑤ in der vorgegebenen Entfernung sicher an starren Elementen anbringen.
  3. Die Endfedern ④ an einem starren Element befestigen.
  4. Die Kabel ③ mithilfe der Kabelschelle ⑥ an den Endfedern ④ befestigen.
  5. Die Kabel ③ durch sämtliche Kabelführungen ⑤ ziehen.
  6. Die Kabel ③ mit dem Produkt ① verbinden.
    - 6a. Einsatz von Spanschlössern (**Abb. 1 und 2A**)
      1. Die Kabel ③ mithilfe einer Kabelschelle ⑥ mit den Spanschlössern ⑦ verbinden.
      2. Die 2 Spanschlösser ⑦ über ein Teil der Kabel ③ mit dem Gerät ① verbinden, hierzu das Kabel durch die Kabelführungen ⑤ ziehen und Kabelschellen ⑥ verwenden.
      3. Die Spannung der Kabel ③ durch Drehen der Spanschlösser ⑦ anpassen.
    - 6b. Einsatz von Spanngeräten (**Abb. 2B und 7**)
      1. Schrauben Sie den Frontring XY2CZ501 und ersetzen Sie es mit dem Spanner XY2CZ213 (**Abb. 7A**).
      2. Durchtrennen Sie das Kabel an der Mittelachse des Geräts (**Abb. 7B**).
      3. Isolieren Sie das Kabel über eine Länge von 200 mm ab und führen Sie es in das Spanngerät ein (**Abb. 7C**).
      4. Spannen Sie die Kabel ③ durch den Spanner drehen (**Abb. 7D**).
      5. Wenn nötig, lockern Sie das Kabel (**Abb. 7E**).

**HINWEIS:** Eine Liste mit Zubehör und Federn ist im Katalog von Telemecanique Sensors verfügbar. Eine Unterlage oder ein Element kann als «starr» bezeichnet werden, wenn die Fähigkeit zur Unterstützung einer Last von 2.000 N in alle Belastungsrichtungen gegeben ist.

- **Einstellung**
  1. Entfernen Sie die Abdeckung ⑱ des Geräts ① durch Lösen der 6 Schrauben ⑰.
  2. Mithilfe des Spanschlusses ⑦ oder der Spanner XY2CZ213 das Kabel ③ spannen, bis der Index ① gegenüber von Punkt ⑩ ausgerichtet ist.
  3. Die Nocke ⑧ in die erforderliche Position drehen, gemäß der maximal zulässigen Temperaturdifferenz während des Betriebs (**Abb. 3**).
  4. Die Spanschraube ⑦ oder der Spanner XY2CZ213 verwenden, um die Position von Index ① anzupassen.
  5. Das Gerät durch Drücken des Schalters ⑫ spannen: Sie sollten einen „Klick“ hören.
  6. Das Gerät auslösen, hierzu das Kabel ③ ziehen.
  7. Die Schritte 5 und 6 erneut wiederholen.
  8. Die Position von Index ① überprüfen und ggf. die Schritte 4 bis 8 wiederholen.
  9. Die Abdeckung ⑱ mit den sechs Schrauben ⑰ am Gerät ① befestigen (Anzugsmoment = 1,5 ± 0,1 Nm), (**Abb. 8**) oder mit der Verkabelung fortfahren. Vor dem Schließen der Abdeckung ⑱ sicher, dass die Dichtung ⑲ in einem guten Zustand ist und in die richtige Position.

**HINWEIS:** Sie können die Dehnung/Kontraktion des Kabels kompensieren, indem Sie die Konfiguration zur Berücksichtigung von Temperaturschwankungen anpassen:  
 • Abb. 4a: Erwartung eines Temperaturabfalls.  
 • Abb. 4b: Erwartung eines Temperaturanstiegs.

- **Verkabelung (Abb. 9 und 10)**

1. Entfernen Sie die Abdeckung ⑱ des Geräts ① durch Lösen der 6 Schrauben ⑰.
2. Wenn die vormontierte Kabelverschraubung nicht an der richtigen Stelle für die Anwendung ist, schrauben Sie die Verschlussstopfen ⑭ auf dem gewünschten Eintrittspunkt abhändig.
3. Montieren Sie die Kabelverschraubung durch seine Montageanleitung zu respektieren.
4. Befestigen Sie den Verschlussstopfen ⑭ und die zugehörige Mutter erneut im leeren Loch (Anzugsmoment = 1±0,1 Nm).
5. Heben Sie den Schutzfilm ⑮ an, ohne ihn zu beschädigen.
6. Schließen Sie die Stromkabel an die Schraubklemmen ⑯ an (Anzugsmoment = 1±0,2 Nm).
7. Vergewissern Sie sich, dass keine Kabel durch den Bereich des Reset-Schalters ⑫ geführt sind.
8. Bringen Sie den Schutzfilm ⑮ vorsichtig wieder in Position.
9. Die Abdeckung ⑱ mit den sechs Schrauben ⑰ am Gerät ① befestigen (Anzugsmoment = 1,5±0,1 Nm) (**Abb. 8**). Vor dem Schließen der Abdeckung ⑱ sicher, dass die Dichtung ⑲ in einem guten Zustand ist und in die richtige Position.

**HINWEIS:**  
 - Für die Externer Anschluss des Gehäuse an dem Erde ⑳ und für die interner Anschluss des Gehäuse an dem Erde ㉑, siehe **Abb.10**.  
 - Version XY2CE...H7 (starrer Schlauchanschluss): siehe **Abb. 6**.  
 - Verwenden Sie geeignete Kabel und Kabelverschraubungen mit einer Mindesttemperatur von 65 °C bei einer Umgebungstemperatur von 60 °C.

- **Wartung und Instandhaltung**
- Die Periodizität der Wartungs- und Instandhaltungsarbeiten ist entsprechend der Umgebung und der klimatischen Bedingungen festzulegen.**
- Der ordnungsgemäße Betrieb des XY2CE...EX und die fehlerfreie Funktionsweise der gesamten Betriebslinie müssen regelmäßig in Anlehnung an die für die Anwendung erforderliche Sicherheitsstufe überprüft werden (z. B. Anzahl der Betriebsvorgänge, Grad der Umweltbelastung usw.).
  - Jegliche Bildung von Staubschichten ist zu vermeiden: Periodische Reinigungen mittels Absaugung durchführen.
  - Das Gerät nicht öffnen, wenn es unter Spannung steht.
  - Den Zustand der Befestigungshalterungen überprüfen.
  - Der Balg und der Drucktaster müssen vor Licht geschützt sein.
  - Es muss Vorsorge getroffen werden, dass das Produkt während des Gebrauchs keinen mechanischen Einwirkungen ausgesetzt wird.
  - Es ist darauf zu achten, dass Gerät nicht dort zu installieren, wo eine "Fortlaufende büstenentladung" auftreten kann.
  - Das Gerät muss mit einem feuchten Tuch gereinigt werden. Es darf keine Umgebungsluft verwendet werden.
  - Die Überprüfung folgender Punkte ist mindestens einmal pro Jahr oder im Falle eines längeren Stillstands durchzuführen:
    - Keines der externen Teile darf beschädigt sein.
    - Der Zustand und der Betrieb des Kabels und der Nocke.
    - Wenn das Produkt oder eines seiner Komponenten (Kabel, Spanschlösser...) beschädigt ist, ist es durch ein identisches Teil zu ersetzen.
    - Alle Einspannungen der Schrauben und Kabeleinführungen.
- Wenn eines der geprüften Komponenten ausfällt, ersetzen Sie dieses sofort. Erfolgt der Betrieb in der Höhe der Temperatur (-20 °C...+60 °C) und Luftfeuchtigkeits-Grenzwerte (50 und 95 % relative Luftfeuchte), ist regelmäßig die Dichtigkeit der Verbindungsteile zu überprüfen.
- Die korrekte Spannung des Kabels kann jederzeit im Sichtfenster ⑬ überprüft werden (**Abb. 2**)
  - Der Ersatz der rearming Taste (des gleichen Typs) muss mit dem Diagramm entsprechen (**Abb. 9**).
- HINWEIS:** Bei der regelmäßigen Wartung ist Folgendes zu überprüfen:
- Das Anzugsmoment der Schrauben und XY2CE...EX-Komponenten sowie der anderen Zubehöerteile (Spanschlösser, Kabelschelle, Kabelführung usw.).
  - Der Zustand des Kabels und der zugehörigen Komponenten (Spanschlösser, Kabelschelle, Kabelführung usw.).
- Der Kabelmantel darf durchaus Anzeichen einer leichten Abnutzung aufweisen, dies darf jedoch nicht die Bewegungsfreiheit des Kabels innerhalb der Zubehöerteile behindern. Bei einer Beschädigung des Kabelmantels ist das Kabel auszutauschen.
- Der Zustand der XY2CE...EX-Faltenbalge. Es dürfen weder Löcher noch Risse vorhanden sein. Bei einer Abnutzung der Faltenbalge muss der XY2CE...EX ausgewechselt werden.
  - Reaktivierung des Produkts: Am Kabel ziehen, sicherstellen, dass die Anlage angehalten ist und Gerät reaktivieren.

- **Demontage/Recycling**
- Das Kabel ③ vor dem XY2CE...EX demontieren.
- HINWEIS:** Der interne Funktionsmechanismus und die elektrischen Kontaktblöcke sind mit Federn ausgestattet, die ein Fortschleudern von Einzelteilen verursachen können.



Zona 21 - 22  
II 2 D - Ex tb IIIC T85°C Db IP65

Número de certificado CE de tipo :  
INERIS 04ATEX0015X - IECEx INE 16.0001X

EN/IEC 60079-0  
EN/IEC 60079-31



Ind. Cont. Eq. for Use in HAZ. LOC.  
Zn21 AEx tb IIIC T85°C  
Zn21 Ex tb IIIC T85°C Db

UL 60079-0  
UL 60079-31

CSA C22.2 N°60079-0:15  
CSA C22.2 N°60079-31:15

**INTERRUPTOR DE PARO DE EMERGENCIA A CABLE**

**Este aparato sólo debe utilizarse para la función de paro de emergencia por cable.**  
Estos materiales deben instalarse, utilizarse y mantenerse conforme a:  
- La norma EN 60079-14 (Atmósferas explosivas), Parte 14 (concepción, selección y construcción de las instalaciones eléctricas).  
- La norma EN 60079-17 (Atmósferas explosivas), Parte 17 (Inspección y mantenimiento de las instalaciones eléctricas).  
- La norma EN 60079-31 (Atmósferas explosivas), Parte 31 (Protección del material contra la inflamación de polvo por envolvente «tD».)  
- la norma NF C 15 100 (Instalaciones eléctricas de baja tensión) – Equivalencia europea: IEC 60364.  
- UL 60079-0, 6ª edición, Atmósferas explosivas - Parte 0: Equipo - Requisitos generales - Fecha de revisión 20/10/2017.  
- UL 60079-31, 2ª edición, Atmósferas explosivas - Parte 31: Protección de equipos contra el encendido de polvo por el gabinete "E" - Fecha de publicación 12/06/2015.  
- CSA C22.2 No. 60079-0:15, Atmósferas explosivas - Parte 0: Equipo - Requisitos generales - Edición 3 - Fecha de publicación 10/2015.  
- CSA C22.2 No. 60079-31:15, Atmósferas explosivas - Parte 31: Protección de los equipos contra el encendido de polvo por el gabinete "E" - Edición 2 - Fecha de publicación 10/2015.  
- Las reglas para la instalación aplicables al área o áreas para las que haya estado concebido.

**No nos hacemos responsables de la inobservancia de las normas anteriores.**  
La instalación, la puesta en servicio y el mantenimiento de este aparato deben llevarse a cabo por personal cualificado y autorizado.

**La responsabilidad del seguimiento desde el origen del constructor (número de serie indicado en la etiqueta de certificación) se garantiza en el primer lugar de entrega conocido.**

**Características**

Durabilidad mecánica	60000 ciclos de maniobras					
Nivel de seguridad máximo (1)	PL = e, categoría 4 según EN / ISO 13849-1 y SIL 3 según EN / IEC 61508					
Datos de fiabilidad de B10d	300.000(es posible que el valor de datos para una vida útil de 20 años se vea limitada a causa del contacto o el desgaste mecánico)					
Temperaturas ambiente	Funcionamiento: - 20...+ 60 °C - Almacenamiento : - 40...+ 70 °C (El producto debe almacenarse en su embalaje original en un lugar seco)					
Grado de protección según la norma IEC 60529	IP 65					
Características eléctricas asignadas de utilización	AC15 ; A300 (Ue=240V, Ie=3A) DC13 ; Q300 (Ue=250V, Ie=0,27A)					
Protección contra los cortocircuitos	Cartucho fusible 10A gG (gl) instalado fuera de la zona ATEX					
Conexión	Borne con tornillo de estribo - 3 entradas de cable para prensaestopa ISO M20					
Capacidad de conexión	min 1 x 0,5 mm² - max 1 x 2,5 mm² or 2 x 1,5 mm²					
Longitud del cable	70 metros. Distancia entre los soportes del cable: 2,5...5 metros <b>Fig. 1</b>					
Rearme	Botón pulsadorcon protector		Botón que funciona a golpecon llave n° 421			
Anclaje del cable	Izquierdo	Derecho	Izquierdo	Derecho		
Acción dependiente	(NC + NO)		<b>XY2CE2A250EX (2)</b>	<b>XY2CE1A250EX (2)</b>	<b>XY2CE2A450EX (2)</b>	<b>XY2CE1A450EX (2)</b>
	(NC + NC)		<b>XY2CE2A270EX (2)</b>	<b>XY2CE1A270EX (2)</b>	<b>XY2CE2A470EX (2)</b>	<b>XY2CE1A470EX (2)</b>

(1): El uso de un sistema de control adecuado y correctamente conectado.  
(2): Para los modelos con entrada de cables 1/2 "NPT, la referencia termina con " H7EX "

**PELIGRO**

**RIESGO DE LESIONES FÍSICAS**

- Antes de reiniciar, inspeccione el cable en su totalidad para identificar el motivo por el que se ha producido la solicitud de la parada de emergencia.
- Utilice únicamente los accesorios y cables de Ø 5 mm de Telemecanique Sensors.
- Fije el producto al soporte con la ayuda de 4 tornillos.
- Utilice únicamente contactos NC para la función de seguridad de parada de emergencia.
- El uso de un XY2CZ702-resorte terminal es obligatorio.
- Ponga las guías de cable o las poleas a una distancia de 2,5 m como mínimo y 5 m como máximo.
- Retire todos los objetos situados sobre el cable o que lo cubran.
- Asegúrese de que el cable puede moverse con holgura.
- Asegúrese de que es posible acceder al cable a lo largo de toda la zona de tracción.
- Una vez cerrada la tapa, compruebe que ninguno de los componentes del dispositivo presenta deformaciones provocadas por un cable eléctrico.
- Compruebe que la tapa se ha cerrado correctamente.
- Compruebe que el dispositivo, el cable y los accesorios están correctamente fijados.
- Compruebe la instalación, la configuración y el funcionamiento del producto según indica la información incluida en este manual de instrucciones.
- Compruebe que los cables, los accesorios y el XY2CE...EX funcionen correctamente tras la instalación y tras cualquier intervención en la instalación.

**Si no se siguen estas instrucciones, pueden producirse lesiones graves o incluso la muerte.**

**PELIGRO**

**RIESGO DE DESCARGA ELÉCTRICA, EXPLOSIÓN O ARCO ELÉCTRICO**

- Antes de cualquier intervención, desconecte la fuente de alimentación del equipo que actúa como soporte.
- Antes de cualquier intervención, desconecte la fuente de alimentación del dispositivo.
- Tenga cuidado de no dañar las piezas del soporte que normalmente reciben alimentación.
- Realice una inspección visual para comprobar que el producto está en buen estado.
- Utilice el equipo de protección personal adecuado (PPE) y siga las instrucciones pertinentes para los entornos eléctricos (consulte NFPA 70E).
- Utilice siempre un aparato de medición eléctrica adecuado para confirmar que la instalación está apagada en su totalidad.
- Utilice un casquillo para paso de cable Atex/IECEx IP 65.
- Proteja la instalación contra sobretensiones de alimentación.

**Si no se siguen estas instrucciones, pueden producirse lesiones graves o incluso la muerte.**

**ADVERTENCIA**

**RIESGO DE LESIONES FÍSICAS**

- Fije la zona de tracción del cable.
- No tire del cable mientras esté ajustando la tensión del cable.
- Compruebe la estanqueidad de los componentes, tales como fuelles, juntas, botón pulsador, etc.
- El fuelle del empujador de acero y el pulsador deben protegerse de la luz
- Asegúrese de que el producto está acoplado en el mismo eje que el cable.
- Configure el dispositivo según la temperatura ambiente.
- Asegure el fácil acceso a la zona del botón de reseteo.
- Retire el cable antes de desmontar el XY2CE...EX.

**Si no se siguen estas instrucciones, podrían ocasionarse lesiones graves o mortales, o daños en el equipo.**

**Limitaciones de instalación**

Los aparatos dañados no deben utilizarse.  
Compruebe que las indicaciones de las marcas del producto sean compatibles con las condiciones permisibles en la área Ex del lugar de utilización: (Grupo II: industrias de superficie - Categoría 2: alto nivel de protección - D: polvo - IPxx: grado de protección (estanqueidad de sólidos y líquidos) - T 85 °C: temperatura máxima de superficie).  
La instalación debe ser horizontal y rectilínea.  
Toda la longitud del cable debe ser visible desde el dispositivo de parada de emergencia (ISO 13850).  
La longitud máxima de la instalación no puede sobrepasar los 70 m (**fig. 1**).  
La instalación debe realizarse con una temperatura ambiente que corresponde a la media del rango de temperatura de funcionamiento.  
La longitud máxima de cable debe ser compatible con las diferencias de temperatura admisibles (**fig. 2**).

**Instalación (fig. 1)**

1. Fije el dispositivo ① a un soporte rígido mediante 4 tornillos de cabeza cilíndrica M6 a través de los orificios ② (par de apriete= 4±0,5 Nm).
2. Fije con firmeza las guías de cable ⑤ a los elementos rígidos respetando la distancia especificada.
3. Coloque el resorte de extremidad ④ en un elemento rígido.
4. Conecte el cable ③ con el resorte de extremidad ④ mediante una abrazadera para cables ⑥.
5. Pase el cable ③ por todas las guías de cable ⑤.
6. Conecte el cable ③ al producto ①.

**6a. Uso del tensor (fig. 1 y 2A)**

1. Conecte el cable ③ con el tensor ⑦ mediante una abrazadera para cables ⑥.
2. Conecte el tensor ⑦ al dispositivo ① con un trozo de cable ③ pasando por las guías de cable ⑤ y utilizando abrazaderas de cables ⑥.
3. Apriete el cable ③ girando el tensor ⑦.

**6b. Uso del tensor de trinquete (fig. 2B y 7)**

1. Desenrosque el anillo frontal XY2CZ501 y sustituirlo por el tensor XY2CZ213 (**fig. 7A**).
2. Corte el cable por el eje central del dispositivo (1) (**fig. 7B**).
3. Saque el cable 200 mm y páselo por el tensor de trinquete (**fig. 7C**).
4. Apriete el cable ③ girando el tensor de trinquete (**fig. 7D**).
5. Si es necesario, afloje el cable (**fig. 7E**).

**NOTA:** Encontrará la lista de accesorios y resortes en el catálogo de Telemecanique Sensors. Un soporte o un elemento puede describirse como "rígido" si admite una carga de 2.000 N en cualquier dirección de esfuerzo.

**Configuración**

1. Retire la cubierta ⑩ del dispositivo ① desatornillando los 6 tornillos ⑪.
2. Utilice el tensor ⑦ o el tensor XY2CZ213 para apretar el cable ③ hasta que se alinee con el punto opuesto ⑩ del índice ①.
3. Gire la leva ⑧ para colocarla en el lugar necesario, según la diferencia permitida máxima de temperatura durante el funcionamiento (**fig. 3**).
4. Utilice el tensor ⑦ o el tensor XY2CZ213 para reajustar la posición del índice ①.
5. Arme el aparato presionando el conmutador ⑫; debería escuchar un "clic".
6. Accione el aparato estirando del cable ③.
7. Repita los pasos 5 y 6 una vez más.
8. Compruebe la posición del índice ① y, si es necesario, repita los pasos del 4 al 8.
9. Fije la cubierta ⑩ del dispositivo ① con la ayuda de los seis tornillos ⑬ (par de apriete = 1,5±0,1 Nm). (**fig. 8**) o pase a la fase de cableado. Antes de cerrar la cubierta ⑩, asegúrese de que el sello ⑭ está en buenas condiciones y en la posición correcta.

**NOTA:** Puede compensar la extensión/contracción del cable ajustando la configuración para que se tengan en cuenta las variaciones de la temperatura:

• **Fig.4a:** anticipación a un descenso de la temperatura.

• **Fig.4b:** anticipación a un aumento de la temperatura.

**Cableado (fig. 9 y 10)**

1. Retire la cubierta ⑩ del dispositivo ① desatornillando los 6 tornillos ⑬.
2. Si la entrada de cables premontados no está en el lugar correcto para la aplicación, desenrosque el tapón de cierre ⑭ en función del punto de entrada deseada.
3. Coloque el casquillo para paso de cable respetando sus instrucciones de montaje.
4. Coloque de nuevo el tapón obturador ⑭ y su tuerca en el orificio vacío (par de apriete = 1±0,1 Nm).
5. Levante la hoja protectora ⑮ sin dañarla.
6. Conecte los cables eléctricos a los terminales de los tornillos de entrada ⑯ (par de apriete = 1±0,2 Nm).
7. Compruebe que no pasan cables por el área del interruptor de puesta a cero ⑰.
8. Vuelva a colocar con cuidado la hoja protectora ⑮.
9. Fije la cubierta ⑩ del dispositivo ① con la ayuda de los seis tornillos ⑬ (par de apriete = 1,5±0,1 Nm) (**fig. 8**) o antes de cerrar la cubierta ⑩, asegúrese de que el sello ⑭ está en buenas condiciones y en la posición correcta.

**NOTA:**

- Para la conexión externa a tierra de la caja ⑳ y para la conexión interna a tierra de la caja ㉑, ver **fig.10**.
- Versión XY2CE... H7 (conexión con tubo rígido): consulte la **fig. 6**.
- Utilice cables y prensaestopas adecuados a una temperatura mínima de 65 °C para una temperatura ambiente de 60 °C.

**Mantenimiento**

**La frecuencia del servicio de mantenimiento debe definirse en función del ambiente y las variaciones climáticas.**

- Se debe revisar regularmente el correcto funcionamiento del XY2CE...EX y de su línea de accionamiento en función del nivel de seguridad requerido por la aplicación (p. ej., número operaciones, nivel de contaminación medioambiental, etc.).
- Debe evitarse la formación de capas de polvo: efectúe periódicamente una limpieza con un aspirador.
- El aparato no debe abrirse mientras está conectado.
- Comprobar el estado de los soportes de fijación.
- El fuelle y el botón deben estar protegidos de la luz.
- Se deben tomar medidas para prohibir que el producto quede expuesto a impactos mecánicos mientras está en uso.
- Se debe tener cuidado de no instalar el equipo donde puedan producirse descargas de luz (Efluvios eléctricos).
- El dispositivo debe limpiarse con un paño húmedo, no debe utilizarse aire comprimido.
- Las siguientes comprobaciones deben realizarse anualmente o en el caso de un paro prolongado del aparato:
  - El conjunto de las piezas externas no debe estar dañado.
  - El estado y el funcionamiento del cable de la palanca.
  - Si el producto o alguno de sus accesorios (cable, polioplasto, etcétera) está dañado, deberá reemplazarse con un material idéntico.
  - El conjunto de los aprietes de los tornillos y de la prensaestopa.
- Si uno de los elementos verificados es defectuoso, debe sustituirse. En el caso de un funcionamiento con límites de temperatura (de -20° a +60 °C) y humedad (entre 50 y 95 % de humedad relativa), compruebe regularmente la estanqueidad de los componentes de conexión.
- La ventana de visualización ⑬ permite en cualquier momento para comprobar la correcta tensión del cable (**fig. 2**).
- La sustitución del botón de rearme (del mismo tipo) debe cumplir con el diagrama (**fig. 9**).


**NOTA:** Durante el mantenimiento periódico se debe comprobar lo siguiente:

- Par de apriete de los tornillos y los componentes de XY2CE...EX, así como de otros accesorios (tensor de tornillo, abrazadera para cables, guía de cable, etc.).
  - Estado correcto del cable y de los elementos relacionados (tensor de tornillo, abrazadera para cables, guía de cable, etc.).
- La funda del cable puede mostrar signos de desgaste, pero esto no debe impedir el movimiento del cable en los accesorios. Si la funda del cable está dañada, cambie el cable.
- Buen estado de los fuelles del dispositivo XY2CE...EX. No pueden estar agujereados ni agrietados. Si los fuelles están desgastados, cambie el dispositivo XY2CE...EX.
  - Restablecimiento del producto: Tire del cable, compruebe que se haya detenido la instalación y restablezca el producto.

**Desmontaje/Reciclaje**

Desmonte el cable ③ así como el XY2CE...EX.

**NOTA:** El mecanismo interno y los bloques de contactos eléctricos tienen resortes que pueden provocar que algunas piezas salgan despedidas.

	<b>Zona 21 - 22</b> <b>II 2 D – Ex tb IIIC T85°C Db IP65</b>	<b>Numero di attestazione CE di questo tipo :</b> <b>INERIS 04ATEX0015X - IECEx INE 16.0001X</b>	<b>EN/IEC 60079-0</b> <b>EN/IEC 60079-31</b>
---	---	---	---



**Ind. Cont. Eq. for Use in HAZ. LOC.**  
**Zn21 AEx tb IIIC T85°C**  
**Zn21 Ex tb IIIC T85°C Db**

**UL 60079-0**  
**UL 60079-31**

**CSA C22.2 N°60079-0:15**  
**CSA C22.2 N°60079-31:15**

## it INTERRUPTORE A FUNE PER ARRESTO DI EMERGENZA

**Limitare l'impiego di questo apparecchio alla funzione d'arresto d'emergenza tramite cavo.**


Installare, utilizzare ed eseguire la manutenzione di questi materiali in conformità a:

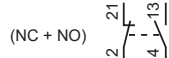
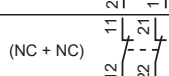
- norma EN 60079-14 (Atmosfere esplosive), Parte 14 (concezione, selezione e costruzione degli impianti elettrici).
- norma EN 60079-17 (Atmosfere esplosive), Parte 17 (Ispezione e intervista degli impianti elettrici).
- norma EN 60079-31 (Atmosfere esplosive), Parte 31 (Apparecchi con modo di protezione mediante custodie "I" destinati ad essere utilizzati in presenza di polveri combustibili).
- alla norma NF C 15 100 (Impianti elettrici a bassa tensione) – Equivalenza Europea: IEC 60364.
- UL 60079-0, 6a edizione, Atmosfere esplosive - Parte 0: Apparecchiatura - Requisiti generali - Data di revisione 2017/10/20
- UL 60079-31, 2a edizione, Atmosfere esplosive - Parte 31: Protezione da accensione per polveri da parte di Enclosure "I" - Data di pubblicazione 2015/06/12
- CSA C22.2 N. 60079-0: 15, Atmosfere esplosive - Parte 0: Apparecchiatura - Requisiti generali - Edizione 3 - Data di pubblicazione 2015/10
- CSA C22.2 N. 60079-31: 15, Atmosfere esplosive - Parte 31: Protezione da accensione per polveri da parte di Enclosure "I" - Edizione 2 - Data di pubblicazione 2015/10.

- regole tecniche relative all'installazione della(e) zona(e) per le quali è stato progettato.

**L'inosservanza di quanto sopra solleva il costruttore da ogni responsabilità.**

Affidare a personale qualificato e abilitato l'installazione, l'avviamento e la manutenzione di questo apparecchio.

 **Si garantisce la rintracciabilità del costruttore (numero di serie riportato sull'etichetta di certificazione) al primo luogo di consegna noto.**

● Caratteristiche						
Durabilità meccanica	60000 cicli di manovra					
Massimo livello di sicurezza (1)	PL = e, categoria 4 secondo EN / ISO 13849-1 e SIL 3 secondo EN / IEC 61508					
Affidabilità dati B10d	300.000 (il valore espresso per una durata operativa di 20 anni può essere inferiore a causa del contatto e dell'usura meccanica)					
Temperatura dell'aria ambiente	Funzionamento: - 20... + 60 °C - Immagazzinaggio : - 40... + 70 °C (Conservare i prodotti nell'imballaggio originale, in un ambiente asciutto)					
Grado di protezione secondo IEC 60529	IP 65					
Caratteristiche elettriche di impiego attribuite	AC15 ; A300 (Ue=240V, Ie=3A) DC13 ; Q300 (Ue=250V, Ie=0,27A)					
Protezione contro i cortocircuiti	Cartuccia fusibile 10A gG (gl) installato fuori dalla zona ATEX					
Collegamento	A morsetto su vite ad anello - 3 ingressi di cavo su pressacavo ISO M20					
Capacità di collegamento	min 1 x 0,5 mm <sup>2</sup> - max 1 x 2,5 mm <sup>2</sup> or 2 x 1,5 mm <sup>2</sup>					
Lunghezza del cavo	70 metri. Distanza tra i supporti del cavo: 2,5...5 metri <b>Fig. 1.</b>					
Riarmo	Mediante pulsante cappuccio					
Ancoraggio del cavo	a sinistra	a destra	a sinistra	a destra		
Ad azione dipendente	(NC + NO)		<b>XY2CE2A250EX (2)</b>	<b>XY2CE1A250EX (2)</b>	<b>XY2CE2A450EX (2)</b>	<b>XY2CE1A450EX (2)</b>
	(NC + NC)		<b>XY2CE2A270EX (2)</b>	<b>XY2CE1A270EX (2)</b>	<b>XY2CE2A470EX (2)</b>	<b>XY2CE1A470EX (2)</b>

(1): Utilizzando un sistema di controllo adeguato e correttamente collegato.

(2) Per i modelli con ingresso cavi 1/2 "NPT, il riferimento termina con " H7EX "

### ▲ PERICOLO

#### RISCHIO DI LESIONI FISICHE

- Ispezionare il cavo nella sua interezza per individuare la causa dell'ordine di arresto di emergenza prima di riavviare.
- Utilizzare solo cavi da Ø5 mm e accessori per sensori Telemecanique.
- Installare il prodotto all'apposito supporto utilizzando 4 viti.
- Utilizzare solo contatti NC per la funzione di arresto di sicurezza.
- L'uso di un XY2CZ702 end-molla è obbligatoria.
- Installare i passacavi o le puleghe a non meno di 2,5 metri e a non più di 5 metri di distanza l'uno dall'altro.
- Rimuovere tutti gli oggetti posizionati sul cavo o di ostacolo ad esso.
- Accertarsi che il cavo sia libero di muoversi.
- Assicurarsi che il cavo sia accessibile lungo tutta la zona di trazione.
- Verificare che nessuno dei componenti del dispositivo venga deformato da un cavo elettrico dopo la chiusura del coperchio.
- Verificare che il coperchio sia chiuso saldamente.
- Verificare che il dispositivo, il cavo e gli accessori siano saldamente installati.
- Controllare l'installazione, l'impostazione e il funzionamento del prodotto in base alle informazioni contenute nel presente manuale di istruzioni.
- Verificare il corretto funzionamento del XY2CE...EX, di cavi e accessori dopo l'installazione e dopo ogni intervento effettuato.

**Il mancato rispetto di queste istruzioni provocherà il decesso o lesioni gravi.**

### ▲▲ PERICOLO

#### RISCHIO DI SCOSSE ELETTRICHE, ESPLOSIONE O ARCO ELETTRICO

- Prima di ogni intervento, rimuovere l'alimentazione dell'apparecchiatura di supporto.
- Prima di ogni intervento, rimuovere l'alimentazione al dispositivo.
- Fare attenzione a non danneggiare le parti del supporto che sono normalmente alimentate.
- Completare un'ispezione visiva per verificare che il prodotto sia in buone condizioni.
- Utilizzare dispositivi di protezione individuali adeguati e seguire le istruzioni raccomandate per ambienti elettrici (vedere NFPA 70E).
- Utilizzare un dispositivo di misurazione elettrica per verificare che tutta l'installazione sia fuori tensione.
- Usare un premistoppa AteX/IECEx IP 65.
- Proteggere l'installazione da picchi di tensione.

**Il mancato rispetto di queste istruzioni provocherà il decesso o lesioni gravi.**

### ▲ AVVERTIMENTO

#### RICHIO DI LESIONI FISICHE

- Proteggere la zona di trazione del cavo.
- Non tirare il cavo durante la regolazione della sua tensione.
- Verificare la stabilità di parti come soffiotti, guarnizioni, pulsante, ecc.
- Il muggito del pusher acciaio e il pulsante deve essere al riparo dalla luce
- Accertarsi che il prodotto sia fissato lungo lo stesso asse del cavo.
- Configurare il dispositivo in base alla temperatura ambiente.
- Accertarsi che l'area del pulsante di ripristino rimanga sempre accessibile.
- Rimuovere il cavo prima di smantellare l'unità XY2CE...EX.

**La mancata osservanza di queste istruzioni può causare il decesso, lesioni gravi o danni all'apparecchiatura.**

#### ● Vincoli per l'installazione

non avviare un dispositivo danneggiato  
verificare che le indicazioni della marcatura del prodotto siano compatibili con le condizioni ammissibili per la zona Ex del sito d'utilizzo: (Gruppo II: Industrie di superficie - Categoria 2: alto livello di protezione - D: Polveri - IPxx: grado di protezione (tenuta ai solidi e ai liquidi) - T85°C: temperatura max. in superficie)

L'installazione deve essere orizzontale e rettilinea.

L'intera lunghezza del cavo deve essere visibile dal dispositivo di arresto di emergenza (ISO 13850).

La lunghezza massima dell'installazione non deve superare i 70 m (fig. 1).

L'installazione deve essere eseguita con una temperatura ambiente corrispondente alla media dell'intervallo di temperatura operativa.

La lunghezza massima del cavo deve essere compatibile con differenze di temperatura accettabili (fig. 2).

#### ● Installazione (fig. 3)

- Montare il dispositivo ① ad un supporto rigido con 4 viti a testa cilindrica M6 fori passanti ② (coppia di serraggio = 4 ± 0,5 N.m).
- Fissare saldamente le guide cavo ⑤ a elementi rigidi nel rispetto della distanza specificata.
- Fissare le molle finali ④ ad un elemento rigido.
- Collegare il cavo ③ alla sorgente fine ④ utilizzando un morsetto ⑥.
- Far passare il cavo ③ attraverso tutte le guide dei cavi ⑤.
- Collegare il cavo ③ al prodotto ①.
  - uso del tenditore (fig. 1 e 2A)
    - Collegare il cavo ③ al tenditore ⑦ utilizzando un morsetto ⑥.
    - Collegare il tenditore ⑦ al dispositivo ① con una porzione di cavo ③ passando attraverso le guide dei cavi ⑤ e utilizzando dei morsetti ⑥.
    - Serrare il cavo ③ ruotando il tenditore ⑦.
  - uso del tendicavo (fig. 2B e 7)
    - svitare il XY2CZ501 anello frontale e sostituirlo con il tendicavo XY2CZ213 (fig 7A.).
    - Tagliare il cavo in corrispondenza dell'asse centrale del dispositivo (fig 7B.).
    - Spellare il cavo di 200 mm e farlo passare nel tendicavo (fig 7C.).
    - Serrare il cavo ③ ruotando il tendicavo (fig 7D.).
    - Se necessario, allentare il cavo (fig 7E.).

**NOTA:** l'elenco di accessori e molle è disponibile nel catalogo di Sensori Telemecanique. Un supporto o elemento può essere descritto come "rigido" se è capace di sopportare un carico di 2.000 N in tutte le direzioni di sollecitazione.

#### ● Impostazione

- Rimuovere il coperchio ⑩ dal dispositivo ① svitando le sei viti ⑦
- Utilizzare il tenditore ⑦ o il tendicavo XY2CZ213 per stringere il cavo ③ fino a quando non è allineato con l'indice ① sulla parte opposta ⑩.
- Ruotare l'ecclentore ⑧ per posizionarlo dove necessario, in base alla differenza di temperatura di funzionamento massima consentita (fig. 3)
- Utilizzare il tenditore ⑦ o il tendicavo XY2CZ213 per regolare la posizione dell'indice ①
- Armare il dispositivo premendo l'interruttore ⑫ fino a sentire uno scatto
- Azionare il dispositivo tirando il cavo ③
- Ripetere ancora una volta la procedura dei punti 5 e 6
- Verificare la posizione dell'indice ① e ripetere se necessario i punti da 4 a 8
- Installare il coperchio ⑩ sul dispositivo ① utilizzando le sei viti ⑦ (coppia di serraggio = 1,5±0,1 Nm) (fig. 8) oppure passare alla fase di cablaggio.

Prima di chiudere il coperchio ⑩, garantisce che la guarnizione ⑲ è in buone condizioni e nella posizione corretta.

#### ● Cablaggio (fig. 9 e 10)

- Rimuovere il coperchio ⑩ dal dispositivo ① svitando le sei viti ⑦.
- Se il pressacavo premontato non è al posto giusto per l'applicazione, svitare il tappo di chiusura ⑭ seconda del punto di entrata desiderato.
- Montare il premistoppa rispettando le istruzioni di montaggio.
- Rimontare il tappo cieco ⑬ e il relativo dado nel foro vuoto (coppia di serraggio = 1±0,1 Nm).
- Solleverare il foglio di protezione ⑮ senza danneggiarlo.
- Collegare i cavi elettrici ai terminali delle viti della brida ⑯ (coppia di serraggio = 1±0,2 Nm).
- Verificare che nell'area dell'interruttore di ripristino ⑫ non passino cavi.
- Riposizionare con cura il foglio di protezione ⑮.
- Installare il coperchio ⑩ sul dispositivo ① utilizzando le sei viti ⑦ (coppia di serraggio = 1,5±0,1 Nm) (fig. 8). Prima di chiudere il coperchio ⑩, garantisce che la guarnizione ⑲ è in buone condizioni e nella posizione corretta.

#### NOTA:

- Per il messa esterno a terra della custodia ⑳ e per il messa interno a terra della custodia ㉑, vedere **fig.10**.
- Versione XY2CE...H7 (connessione tubo rigida ): vedere **fig. 6**.
- Utilizzare cavi e pressacavi adatti a una temperatura minima di 65 ° C per una temperatura ambiente di 60 ° C.

#### ● Manutenzione

##### Definire la periodicità delle fasi di manutenzione in base all'ambiente e alle variazioni climatiche.

- Il corretto funzionamento di XY2CE...EX e della relativa linea operativa deve essere verificato regolarmente in base al livello di sicurezza richiesto dall'applicazione (ad esempio numero di operazioni, livello di inquinamento ambientale, ecc.)
- Evitare la formazione di strati di polvere: eseguire una pulizia periodica mediante aspirazione.
- Non aprire quando l'apparecchio è sotto tensione.
- Verificare la condizione dei supporti di fissaggio.
- Il soffiotto e il pulsante devono essere protetti dalla luce.
- Devono essere presi provvedimenti per vietare che il prodotto venga esposto a impatti meccanici durante l'uso.
- Si deve prestare attenzione a non installare l'apparecchiatura in cui possono verificarsi scariche di bagliore (Effluvi elettrici).
- Il dispositivo deve essere pulito con un panno umido, l'aria compressa non deve essere utilizzata.
- Verificare i seguenti punti almeno una volta all'anno o dopo un arresto prolungato:
  - l'insieme delle parti esterne non deve essere danneggiato ;
  - stato e funzionamento del cavo e della camma;
  - se il prodotto o uno degli accessori (cavo, tenditore, eccetera) sono danneggiati, sostituirli con un prodotto identico;
  - serraggi delle viti e dei pressacavo.

Se uno degli elementi controllati risulta difettoso, procedere in modo tassativo alla sua sostituzione. In caso di funzionamento ai limiti della emperatura (-20° C... +60° C) e dell'umidità (50 e 95 % di umidità relativa), controllare regolarmente la tenuta degli organi di collegamento.

- La finestra di visualizzazione ⑬ permette di verificare in qualsiasi momento che la tensione del cavo è corretta (fig. 2).
- La sostituzione del pulsante riarmo (dello stesso tipo) deve rispettare il diagramma (fig. 9).

#### NOTA: durante le operazioni di manutenzione periodica, verificare quanto segue :

- La coppia di serraggio delle viti e dei componenti XY2CE...EX e gli altri accessori (tenditore, morsetto, guida cavi, ecc.).
- La condizione ottimale del cavo e degli altri componenti associati (tenditore, morsetto, guida cavi, ecc.).
- Il rivestimento del cavo può mostrare segni di leggera usura ma questo non deve bloccare il movimento del cavo all'interno dei relativi accessori. Se il rivestimento del cavo è danneggiato, sostituirlo il cavo.
- La condizione ottimale dei soffiotti di XY2CE...EX. Non devono essere presenti fori né tagli. Se i soffiotto sono usurati, sostituire l'intero prodotto XY2CE...EX.
- Riarmo prodotto: Tirare il cavo, verificare che l'installazione sia arrestata e riarmare il prodotto.

#### ● Smantellamento/Smaltimento

Smantellare il cavo ③ prima del XY2CE...EX.

**NOTA :** il meccanismo interno e i blocchi dei contatti elettrici sono dotati di molle che possono far saltare componenti fuori dal prodotto.

	<b>II 2 D – Ex tb IIIC T85°C Db IP65</b>	<b>EC型式检验证书：</b> <b>INERIS 04ATEX0015X - IECEx INE 16.0001X</b>	<b>EN/IEC 60079-0</b> <b>EN/IEC 60079-31</b>	 <b>LISTED</b> <b>E501196</b>	<b>Ind. Cont. Eq. for Use in HAZ. LOC.</b> <b>Zn21 AEx tb IIIC T85°C</b> <b>Zn21 Ex tb IIIC T85°C Db</b>	<b>UL 60079-0</b> <b>UL 60079-31</b>	<b>CSA C22.2 N°60079-0:15</b> <b>CSA C22.2 N°60079-31:15</b>
---	--	--	---	---	--	---	---

## zh) 紧急停止拉绳开关


**该设备的使用必须是仅限于用一种绊线紧急停止。**

必须安装这些设备，使用和维护依据：

- 标准EN 60079-14（爆炸性环境），第14部分（电气装置设计，选择和安装）。
- 标准EN60079-17（爆炸性环境），第17部分（电气装置的检查和维护）。
- 标准EN60079-31（爆炸性环境），部分31（由围地T设备防尘点火保护“”）。
- 标准NF C15100（低压电气装置）-相当于欧洲：IEC60364.
- UL 60079-0，第6版，爆炸性环境-第0部分：设备- 一般要求 - 修订日期2017/10/20
- UL 60079-31，第2版，爆炸性环境-第31部分：通过外壳“t”进行的设备粉尘保护 - 发布日期2015/06/12
- CSA C22.2 No. 60079-0: 15，爆炸性环境-第0部分：设备- 一般要求 -第3版 - 发行日期2015/10
- CSA C22.2 No. 60079-31: 15，爆炸性环境-第31部分：通过外壳“t”设备粉尘着火保护 -第2版 - 发布日期2015/10.
- 标准EN ISO 13850（机械安全 - 紧急停止 - 设计原理)
- 管理被设计的设备区域或区域设置的规定。

**我们不能接受对未能遵守这些规定任何责任。**

设备安装，操作和维护必须由获得批准，合格的工作人员进行。

-  生产厂家可追溯性（认证标签上指定的序列号）在责任第一个已知的传递目标保证。

<b>●特点</b>					
机械耐久性	60000次操作				
最高安全等级 <i>(1)</i>	PL= E, 4类符合EN/ ISO 13849-1和SIL 3符合EN/ IEC 61508				
可靠性数据B10d	300.000（为20年使用寿命的数据值可通过接触和机械磨损的限制）				
周围空气温度	操作： - 20...+60°C / - 4... 140 F° - 存储 - 40... + 70°C / - 40... 158 F°（存储产品在原包装，在干燥的地方）				
防护等级根据IEC 60529	<b>IP 66</b>				
使用额定电气特性	<b>AC15<span> </span>; A300 (Ue=240V, Ie=3A)</b> <b>DC13<span> </span>; Q300 (Ue=250V, Ie=0,27A)</b>				
短路保护	安装了ATEX区10A的gG (GL) 保险丝盒				
联系	螺丝夹终端 - ISO M20电缆固定头3电缆				
夹紧容量	最低限度 1 x 0,5 mm² - 最大 1 x 2,5 mm² 或 2 x 1,5 mm²				
线缆长度	70米/230英尺.电缆之间的距离支持：2.5...5米/8.2...16.4英尺图。1				
重置	启动的按钮				
线缆锚点	剩下	对	剩下	对	
慢断动作		<b>XY2CE2A250EX (2)</b>	<b>XY2CE1A250EX (2)</b>	<b>XY2CE2A450EX (2)</b>	<b>XY2CE1A450EX (2)</b>
		<b>XY2CE2A270EX (2)</b>	<b>XY2CE1A270EX (2)</b>	<b>XY2CE2A470EX (2)</b>	<b>XY2CE1A470EX (2)</b>

- (1)*: 使用合适和正确连接控制系统。
- (2)*: 对于1/2 “NPT线缆入门车型，参考由H7EX结束

<b><span>▲</span> 危险</b>
<b>人身伤害危险</b> <ul style="list-style-type: none"><li>在重新启动之前，检查线缆是否完整以确定紧急停止指令的原因。</li> <li>只可使用 Telemecanique Sensors 附件和 Telemecanique Sensors Ø5 mm 线缆。</li> <li>用 4 颗螺钉将产品安装在其支架上。</li> <li>对于紧急停止安全功能，只可使用常闭触点。</li> <li>使用结束弹簧XY2CZ702的是强制性的。</li> <li>放置线缆导轮或滑轮时，使它们彼此相距既不小于 2.5 米（9.84 英尺）也不大于 5 米（16.4 英尺）。</li> <li>取下放置在线缆上的或者遮盖线缆的物体。</li> <li>确保线缆可自由移动。</li> <li>确保沿着整个牵引区都能触及线缆。</li> <li>当护盖关闭之后，立即核实电气电缆没有导致任何设备组件变形。</li> <li>核实护盖关闭可靠。</li> <li>核实设备、线缆和附件牢固地安装到位。</li> <li>根据本说明手册中提供的信息对产品安装、设置和功能进行检查。</li> <li>当安装完成之后，或者当在装置上进行任何工作之后，核实 XY2CE...EX、线缆和附件工作正常。</li></ul>
<b>不遵照上述指示可导致严重的人身伤害甚至死亡。</b>

<b><span>▲▲</span> 危险</b>
<b>电击、爆炸或电弧危险</b> <ul style="list-style-type: none"><li>在进行任何干预之前，关闭用作支架的设备的电源。</li> <li>在进行任何工作之前，关闭设备的电源。</li> <li>注意不要损坏正常通电的支架的零件。</li> <li>执行目视检查以确保产品处于良好状态。</li> <li>使用合适的个人防护设备 (PPE)，并遵循电气环境的相关推荐指示。（见 NFPA 70E）。</li> <li>务必使用合适的电动测量设备以确认整个装置已经断电。</li> <li>使用 Atex/IECEx IP 65 电缆密封套。</li> <li>避免装置遭遇电力激增。</li></ul>
<b>不遵照上述指示可导致严重的人身伤害甚至死亡。</b>

<b><span>▲</span> 警告</b>
<b>人身伤害危险</b> <ul style="list-style-type: none"><li>确保线缆牵引区的安全。</li> <li>调整线缆松紧度时，切勿拉扯电缆。</li> <li>检查零件的松紧度，例如波纹管、垫圈、按钮和等。</li> <li>波纹管钢柱基和所述按钮必须被保护不受光。</li> <li>确保产品沿着与线缆相同的轴线锚固。</li> <li>根据环境温度配置设备。</li> <li>确保复位按钮区仍可触及。</li> <li>在拆卸 XY2CE...EX 之前取下线缆。</li></ul>
<b>不遵照上述指示可导致死亡、重伤或者设备损坏。</b>

#### ●安装约束

不要使用设备，如果它被损坏
检查产品的标签规范与允许在现场ATEX认证（防爆）区，在那里它正在使用的条件兼容（第二组：表面行业 - 2类：高防护级别 - D: 粉尘 - IPXX：度保护（防止固体和液体） - T85° C：最高表面温度）
安装必须水平和直线。

从紧急停止设备 (ISO 13850) 处必须能够看见完整长度的线缆。
装置的最大长度不得超过 70 米（230 英尺）（见图 1）。
必须在与工作温度范围平均值相符合的环境温度下执行安装。
线缆最大长度必须与可接受的温度差异相符（见图 2）。

#### ●安装（见图 3）

- 安装设备 ① 使用 4 个 M6 圆柱头螺钉通孔的刚性支撑 ②（拧紧扭矩=4±0.5 牛米/2.95±0.37 磅·英尺）。
- 牢牢地拧紧的电缆导向 ⑤ 在符合规定的距离的刚性因素。
- 将结束弹簧 ④ 在刚性元素。
- 将线缆 ③ 到底弹簧连接 ④ 使用电缆夹 ⑥。
- 使线缆 ③ 穿过所有线缆导轮 ③。
- 将线缆 ③ 连接到产品 ①。

#### 6a.螺丝扣的使用（见图 1 和 2A）

- 使用线缆夹 ⑥，将线缆 ③ 连接至螺丝扣 ⑦ 上。
- 穿过线缆导轮 ⑤，并使用线缆夹 ⑥，将 2 个螺丝扣 ⑦ 连接至带有一部分线缆 ③ 的设备 ① 上。
- 转动螺丝扣 ⑦，绷紧线缆 ③。

#### 6b.张紧器的使用（见图 2B 和 7）

- 旋下正面的圆环 XY2CZ501，并用张紧器 XY2CZ213 取代它们（见图 7A）。
- 在设备 (1) 的中心轴线处剪切线缆（见图 7B）。
- 剥去 200 毫米/7.87 英寸的线缆外皮，将电缆传入张紧器（见图 7C）。
- 转动张紧器，绷紧线缆 ③（见图 7D）。
- 如有必要，可松开线缆（见图 7E）。

注意：附件和弹簧清单可见 Telemecanique Sensors 目录。支架或元件如果能够在受到各方向应力的状态下支撑 2,000 N 的负荷，则可能会被描述为“刚性”部件。

#### ●设置

- 旋下 6 颗螺钉 ⑦，将护盖 ⑧ 从设备 ① 上取下。
- 使用螺丝扣 ⑦ 或张紧XY2CZ213收紧线缆 ③ 直到它与索引 ⑪ 相对点 ⑩ 对齐。
- 旋转凸轮在需要的基础上，在操作中允许的最大温度差（图3） ⑧ 定位它。
- 使用螺丝扣 ⑦ 或张紧XY2CZ213调整索引 ⑪ 的位置。
- 按下开关 ⑫ 武装设备：你应该听到“咔嚓”。
- 通过拉动线缆跳闸 ③ 设备。
- 重复步骤5和6，直到安装是稳定的。
- 检查索引 ⑪ 的位置并在需要时重复步骤4至8。
- 使用 6 颗螺钉 ⑦，将护盖 ⑩ 安装至设备 ① 上（拧紧力矩 = 1,5±0.1 Nm/1.1±0.07 lb.ft）（图8），或移动到布线阶段。在合盖 ⑩，确保密封件 ⑨ 处于良好状态，并在合适的位置。

#### ●接线（图 9和10）

- 旋下 6 颗螺钉 ⑦，将护盖 ⑩ 从设备 ① 上取下。
- 如果预安装电缆接头是不是在应用程序的正确位置，拧开堵头 ⑭ 取决于入境所需的点。
- 尊重它的安装说明安装电缆接头。
- 重新将堵器基 ⑭ 及其螺母安装至空白的孔口中（拧紧力矩 = 1 ±0.1 Nm/0.73±0.07 lb.ft）。
- 抬起保护板 ⑮，但不要损坏它。
- 将电气电缆连接至偏转线圈螺钉端子 ⑯（拧紧力矩 = 1 ±0.2 Nm/0.73±0.15 lb.ft）。
- 核实没有任何电缆穿过复位开关区 ⑫。
- 小心地将保护板 ⑮ 放回原位。
- 使用 6 颗螺钉 ⑦，将护盖 ⑩ 安装至设备 ① 上（拧紧力矩 = 1,5±0.1 Nm/1.1±0.07 lb.ft）（图8）。在合盖 ⑩，确保密封件 ⑨ 处于良好状态，并在合适的位置。

#### 注意:

- 对于外部设备的接地连接⑳和内部单位的接地连接 ㉑见图10

- 版本 XY2CE...H7（硬管连接）：见图 6。

- 使用合适的电缆和电缆密封管，工作温度最低为65° C，环境温度为60° C。

#### ●维护

用于进行维修和保养的时间间隔必须根据环境和气候的变化来设置。

- 所述XY2CE...EX 及其操作线的正常运作，必须定期的基础上由应用所需的（例如，一些操作，环境污染的水平等）的安全级别进行检查。
- 确保设备不会成为覆盖的粉尘层：请定期吸尘。
- 当设备上不要打开。
- 检查定影支撑的状态。
- 波纹管 and 按钮应避免光。

- 应采取措​​施禁止产品在使用时受到机械冲击。
- 必须注意不要安装在可能发生辉光放电（电Efflues）的设备。
- 设备应使用湿布清洁，不得使用高压空气。
- 以下物品必须托运一年或以下漫长的停工期至少一次：
  - 所有的外部零件必须是完好无损。
  - 线缆和凸轮的状态和操作。
- 如果产品或其附件（线缆，螺丝扣等），一个是破坏它必须用相同的设备/部件进行更换。
- 所有的螺丝和电缆密封是否正确拧紧。

如果任何检查项目的是有缺陷的，必须立即更换。如果设备在该温度下的极限使用（ - 20 ... + 60°C° / - 4 ... 140° F° ）和湿度（50％至95％）的范围内，则检查连接设备的完整性定期。

- 观察窗 ③ 可让您随时检查电缆的张力是正确的（图2）
- 更换重新武装按钮（同一类型的）的，必须遵守的（图9）。

注意：在定期维护时，必须检查以下各项：

- 螺钉、XY2CE...EX 组件以及其他附件（螺丝扣、线缆夹、线缆导轮等）的拧紧力矩。
- 线缆和相关组件（螺丝扣、线缆夹、线缆导轮等）完好
- 允许线缆护套显露一定程度地磨损和撕裂迹象，但决不允许线缆套阻碍线缆在其附件中的移动。如果线缆护套已损坏，则更换线缆。
- XY2CE...EX 波纹管完好。不得出现任何孔洞或裂纹。如果波纹管已磨损，则更换 XY2CE...EX。
- 产品重装：拉动线缆，核实装置已停止，并重装产品。

#### ●拆卸/回收

在拆卸 XY2CE...EX 之前，先拆卸线缆 ③。

注意：内部机构和电气接触块装有可能会产生飞溅零件的弹簧。