

PRODUCT SPECIFICATION DRAWING

P2RFD-1673-4

FINISH:
BODIES &
HARDWARE: WHITE BRONZE

CONTACTS: SILVER

PERFORMANCE:
IMPEDANCE: 50 OHMS
Vp: 77%
FREQ. RANGE: DC TO 7.5 GHz
DELAY: 141ps
VSWR: <1.10:1 @ DC-7.5 GHz
INSERTION LOSS: <-.1db @ 7.5 GHz
3rd ORDER IM: <-155 dBc IN PCS BAND w/2+43 dB TONES

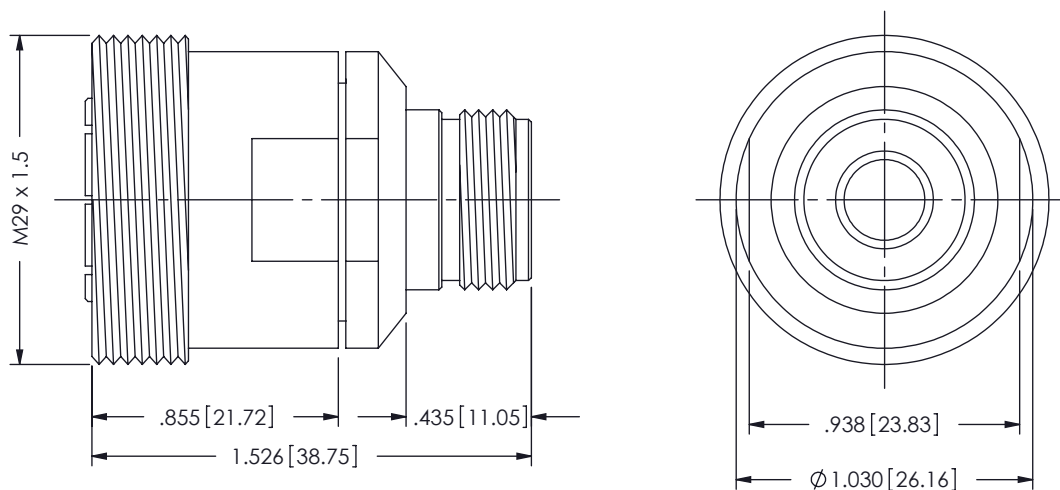
OPERATING TEMP RANGE: -55°C TO +150°C

MECHANICAL (TYP)
MATING: M29 X 1.5mm; 5/8-24UNEF THREAD
INTERFACE: MIL-STD-348; CECC 22 190
MATING CYCLES: 500 min

MATERIAL:
BODIES &
HARDWARE: BRASS

CONTACTS & GROUND RING: BERYLLIUM COPPER

INSULATOR: PTFE PER ASTM-D1710



UNLESS OTHERWISE SPECIFIED
DIMENSIONS ARE IN INCHES
& [MILLIMETERS]

PROPRIETARY

THE INFORMATION HEREIN IS CONFIDENTIAL AND PROPRIETARY. NO DISCLOSURE, REPRODUCTION, OR FURTHER DISSEMINATION MAY BE MADE WITHOUT THE EXPRESSED WRITTEN CONSENT OF RF INDUSTRIES.

RFP² RF PRECISION PRODUCTS
A DIVISION OF RF INDUSTRIES
7610 MIRAMAR ROAD, SAN DIEGO, CA 92126-4202
(858) 549-6340 - FAX (858) 549-6345 - RFP2@RFINDUSTRIES.COM

TITLE: **7/16 DIN JACK TO N JACK ADAPTER**

REV	DESCRIPTION	DATE	APPROVED
-	ENGINEERING RELEASE	10/10/10	JDMc
A	UPDATED DWG. FORMAT & SPECS	05/15/15	JDMc

RoHS COMPLIANT

DRAWN BY:	C. ZUNIGA	05/15/15
ENG APPROVAL:		
ORJ. DRAWN:	C. ZUNIGA	10/10/10

SIZE	CODE	DWG. NO.	REV
A	000000	P2RFD-1673-4	A
SHEET 1 OF 1			