

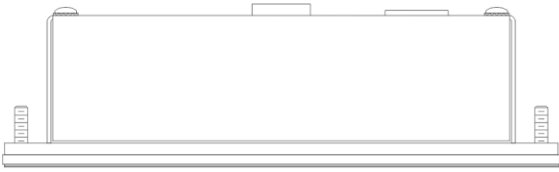
## 2 x 20 VFD Display



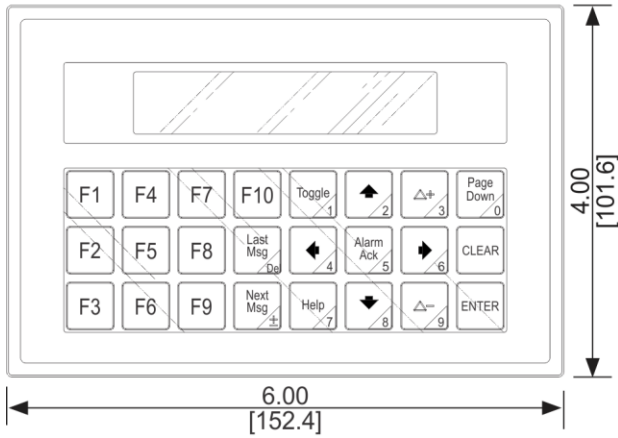
- 2 Line by 20 Character VFD Display
- Membrane Keypad with Customizable Key Legend Insert
- 24 Programmable Keys
- 1 Serial RS232/422/485 Port

<b>System</b>	<b>Capacity (screens)</b>	500
	<b>Audio</b>	Internal audio transducer
<b>I/O Ports</b>	<b>Serial</b>	1 x RJ45 shielded RS-232/422/485
	<b>Power</b>	3 pins terminal block connector, DC power input
<b>Display</b>	<b>Type</b>	VFD; 5 x 7 dot matrix
	<b>Size</b>	2 line by 20 characters
	<b>Viewing Angle (°)</b>	Approximately 90 degree
<b>Keypad</b>	<b>Type</b>	Flat panel membrane
	<b>Material</b>	Polyester
	<b>Lifespan</b>	3 million operations
	<b>Programmable Keys</b>	24 (up to 8 screen-dependent)
<b>Electrical</b>	<b>Customizable Key Legend</b>	Yes
	<b>Input Voltage</b>	12 ~ 30 VDC
	<b>Input Power</b>	1.37 W
	<b>Input Current</b>	57 mA @ 24 VDC
<b>Mechanical</b>	<b>Enclosure</b>	Aluminum
	<b>Dimensions (W x H x D)</b>	6 x 4 x 1.77 inches [152.4 x 101.6 x 45 mm]
	<b>Weight</b>	0.75 lbs [0.34 kg]
<b>Environmental</b>	<b>Mounting</b>	Panel mounting
	<b>Operating Temperature</b>	14 ~ 149°F (-10 ~ 65°C)
	<b>Storage Temperature</b>	-22 ~ 176°F (-30 ~ 80°C)
	<b>Relative Humidity</b>	5% ~ 95% (non-condensing)
<b>Notes</b>	<b>Rating</b>	NEMA4X / IP65
	<b>Certifications</b>	CE / cULus (Class I, Division 2)
<b>Notes</b>		Specifications subject to change without notice. For panel cutout dimensions, please refer to dimensional drawing.

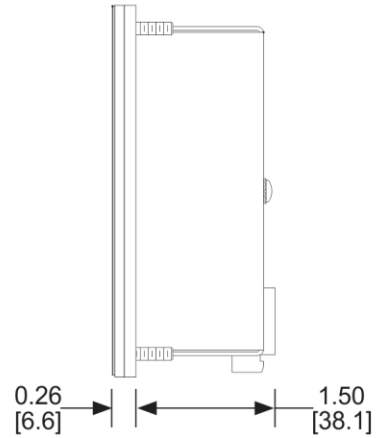
Top View



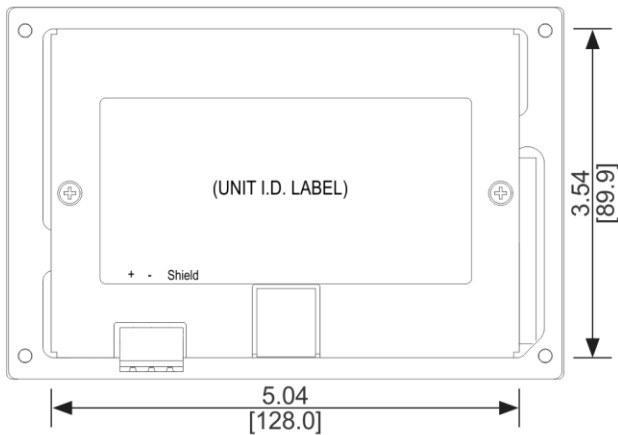
Front View



Side View

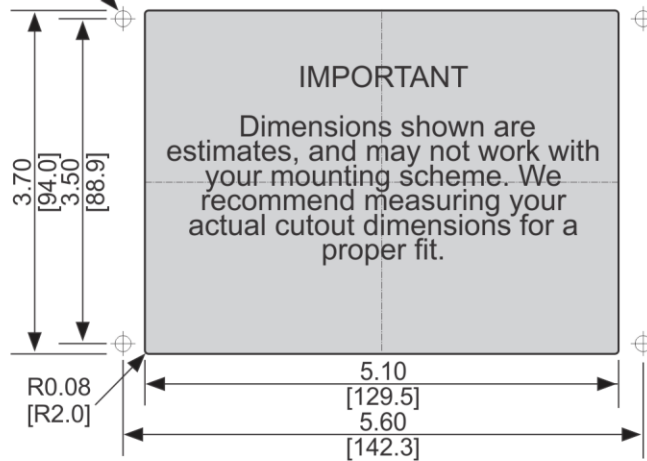


Rear View

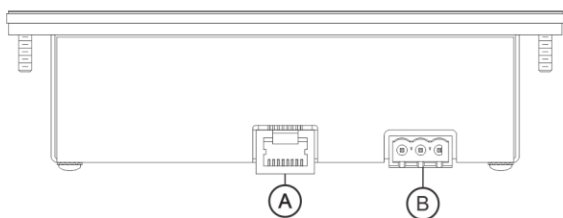


0.172 [4.4] DIA,  
4 Holes

Cutout Dimensions



Bottom View



Dimensions are in inches [mm]

- (A) RJ-45 Serial COM Port
- (B) Power Connector