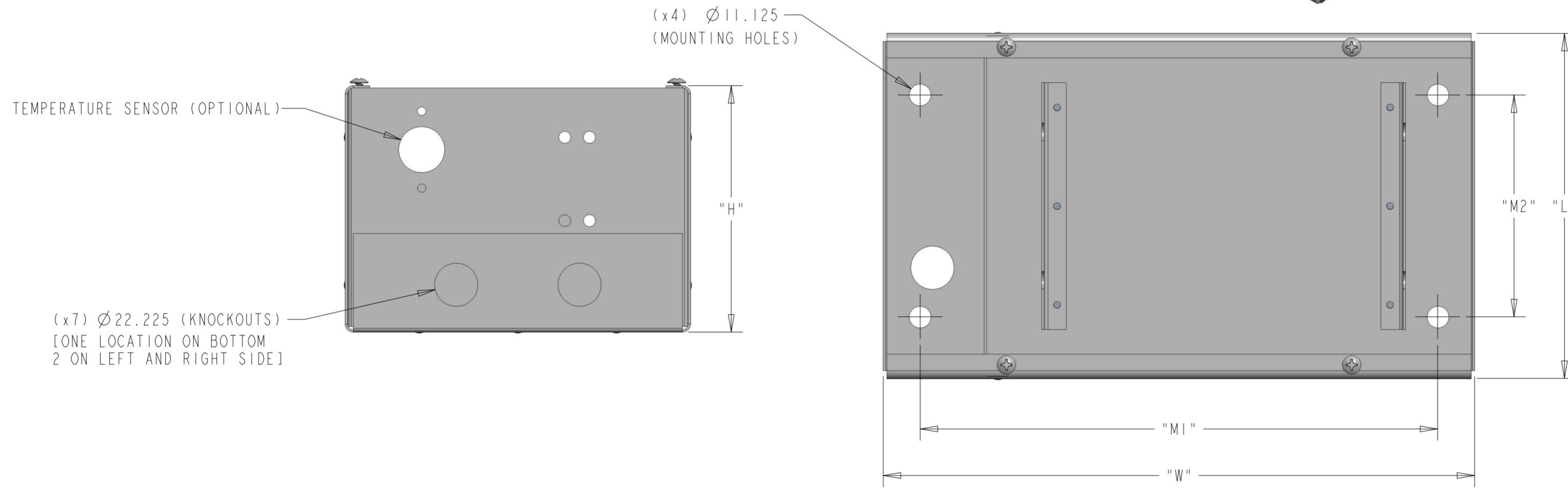
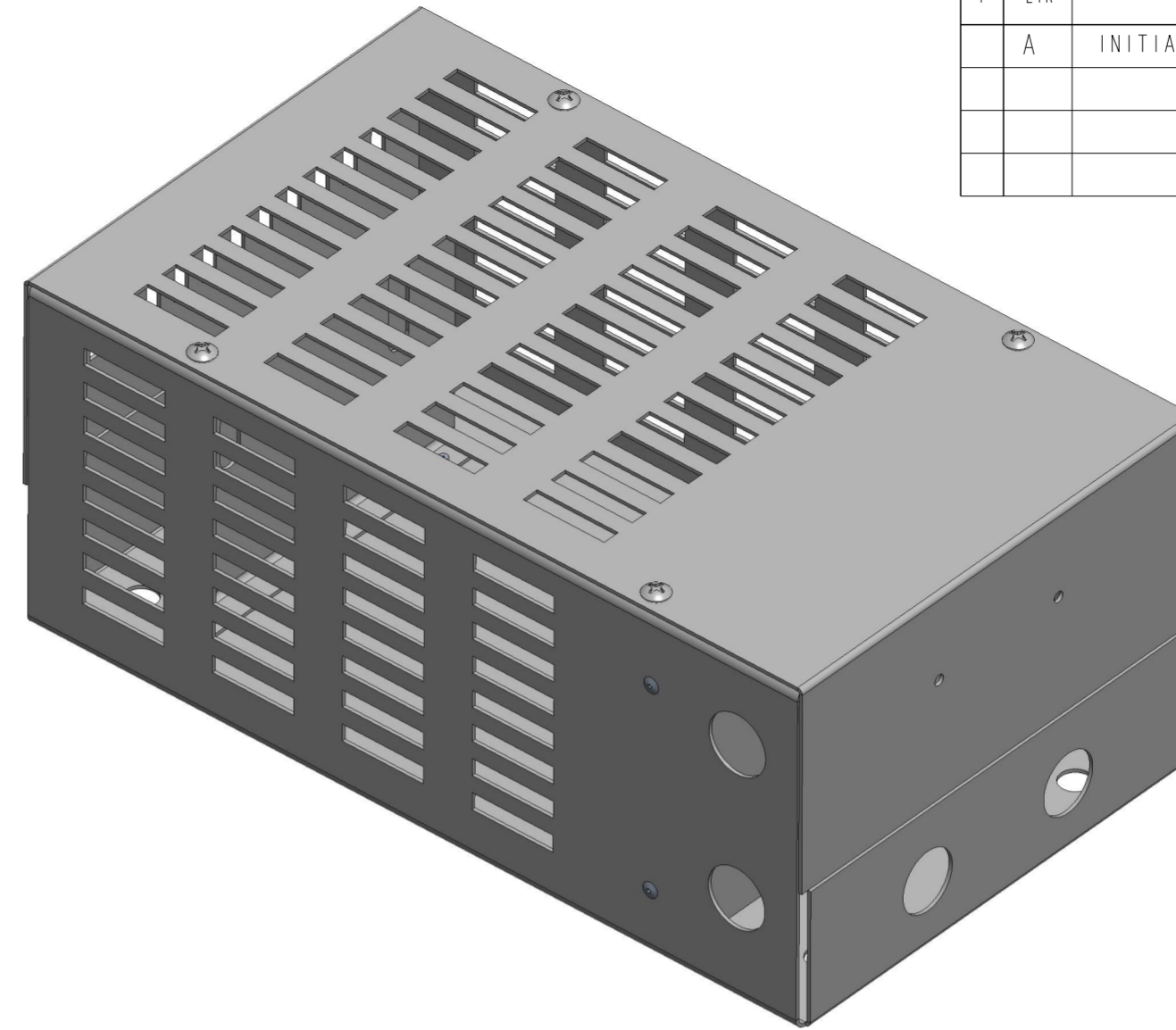
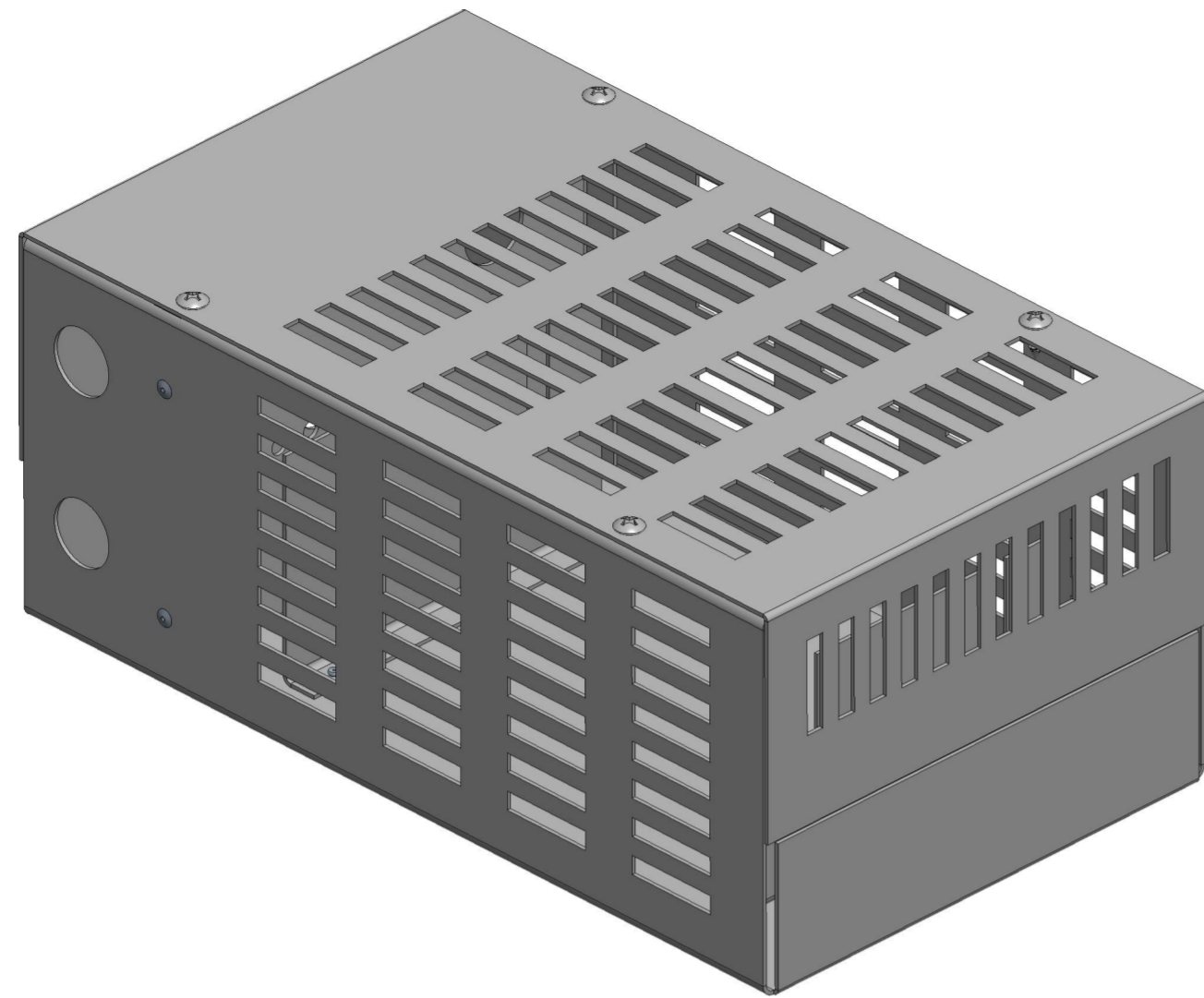


P	LTR	DESCRIPTION	DATE	DWN	APVD
A		INITIAL RELEASE	07OCT2021	KS	AP

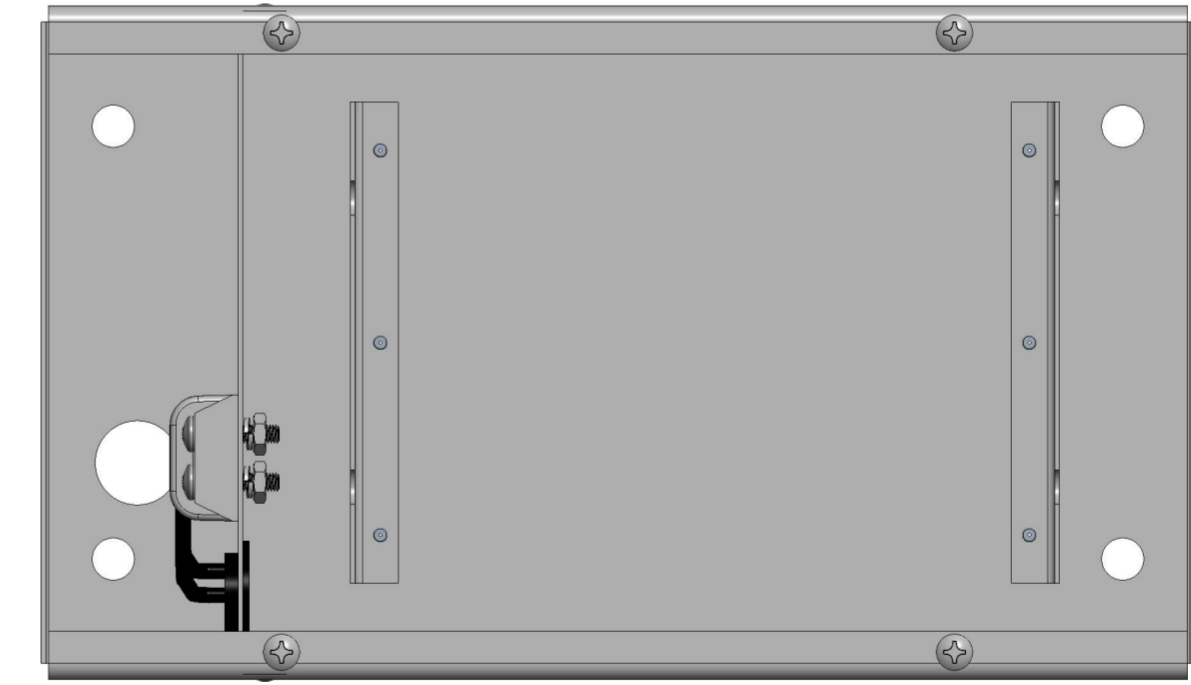
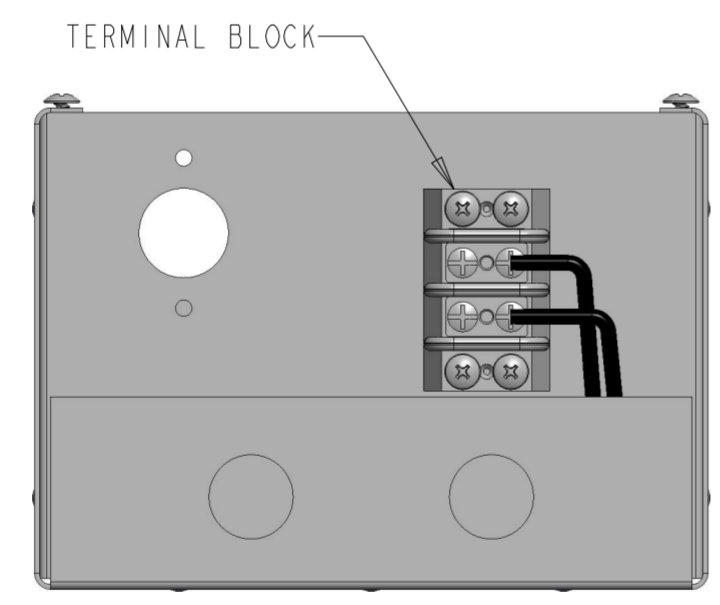
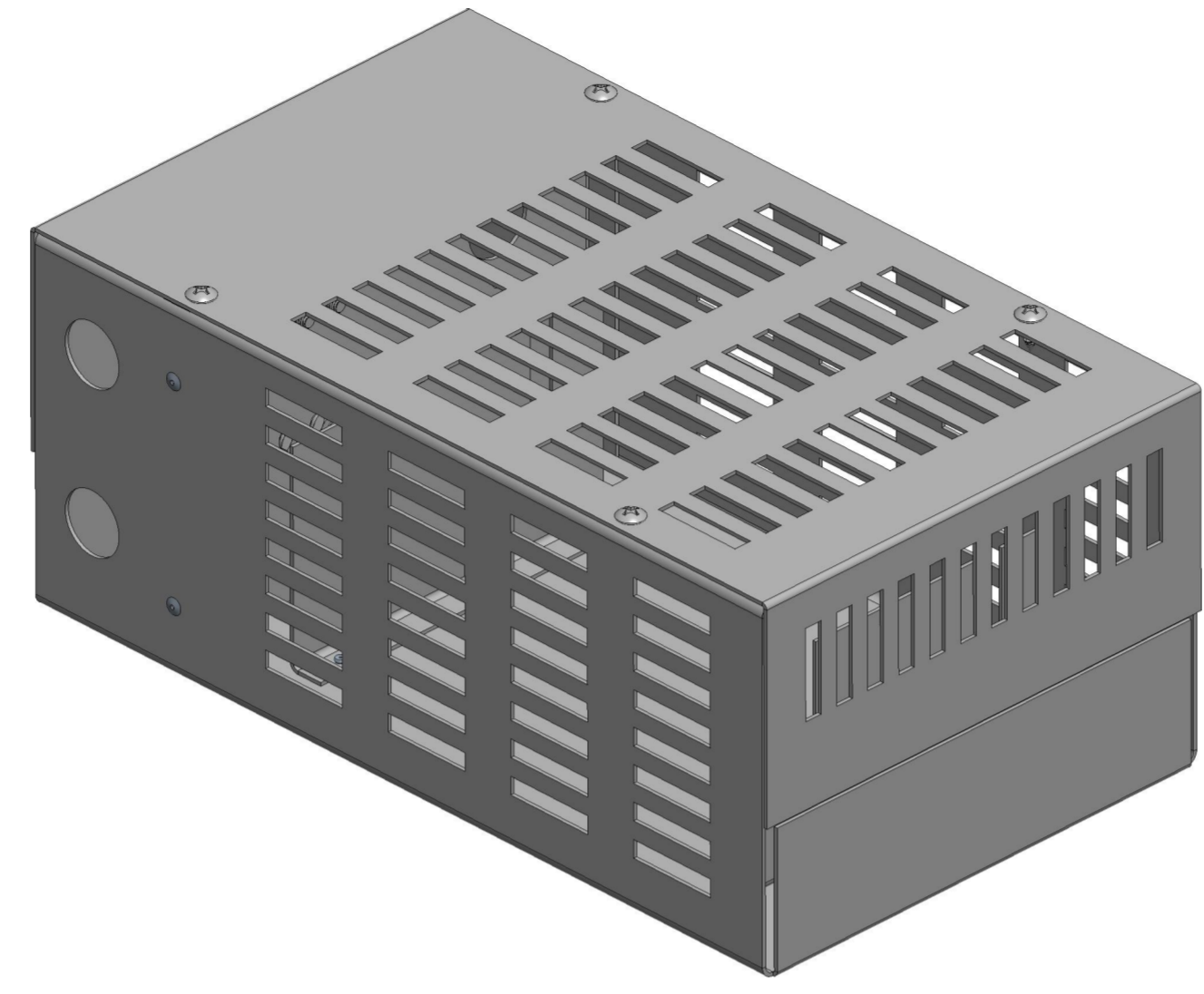



PART NUMBER	W (mm)	L (mm)	H (mm)	M1 (mm)	M2 (mm)	TOTAL RESISTANCE	H.P.	DUTY CYCLE	DRIVE VOLTAGE	BRAKING TORQUE
HPBA010D500R050E	305	178	127	267	114	500 Ohms \pm 10%	1.00	50%	460 V	150%

NOTE:
1. FOR FURTHER TECHNICAL INFORMATION PLEASE SEE THE DATASHEET FOR THE HPBA SERIES

THIS DRAWING IS A CONTROLLED DOCUMENT.		DWN S. KARTHIK 17-09-2021	TE Connectivity	
DIMENSIONS: mm		CHK ALLAN PILE 17-09-2021		
TOLERANCES UNLESS OTHERWISE SPECIFIED:		APVD ALLAN PILE 17-09-2021	NAME BRAKING RESISTOR ASSEMBLY TYPE HPBA SERIES HPBA010D500R050E	
0 PLC \pm 1 PLC \pm 2 PLC ± 0.50 3 PLC ± 0.500 4 PLC \pm ANGLES \pm FINISH		PRODUCT SPEC -	RESTRICTED TO -	
MATERIAL		APPLICATION SPEC -	SIZE A2	CAGE CODE 00779
		WEIGHT -	DRAWING NO C-3-2176470-3	
		CUSTOMER DRAWING	SCALE 1:2	SHEET 1 OF 2
			REV A	

REVISIONS					
P	LTR	DESCRIPTION	DATE	DWN	APVD
-		SEE SHEET 1	-	-	-



THIS DRAWING IS A CONTROLLED DOCUMENT.		DWN S. KARTHIK 17-09-2021	 TE Connectivity																
DIMENSIONS: mm		CHK ALLAN PILE 17-09-2021																	
TOLERANCES UNLESS OTHERWISE SPECIFIED:		APVD ALLAN PILE 17-09-2021	NAME BRAKING RESISTOR ASSEMBLY TYPE HPBA SERIES HPBA010D500R050E																
<table border="1"> <tr><td>0 PLC</td><td>±</td></tr> <tr><td>1 PLC</td><td>±</td></tr> <tr><td>2 PLC</td><td>±0.50</td></tr> <tr><td>3 PLC</td><td>±0.500</td></tr> <tr><td>4 PLC</td><td>±</td></tr> <tr><td>ANGLES</td><td>±</td></tr> <tr><td>FINISH</td><td></td></tr> </table>		0 PLC	±	1 PLC	±	2 PLC	±0.50	3 PLC	±0.500	4 PLC	±	ANGLES	±	FINISH		PRODUCT SPEC -	SIZE A2	CAGE CODE 00779	DRAWING NO C-3-2176470-3
0 PLC	±																		
1 PLC	±																		
2 PLC	±0.50																		
3 PLC	±0.500																		
4 PLC	±																		
ANGLES	±																		
FINISH																			
MATERIAL -		APPLICATION SPEC -	WEIGHT -	RESTRICTED TO -	SCALE 1:2														
CUSTOMER DRAWING			SHEET 2	OF 2	REV A														