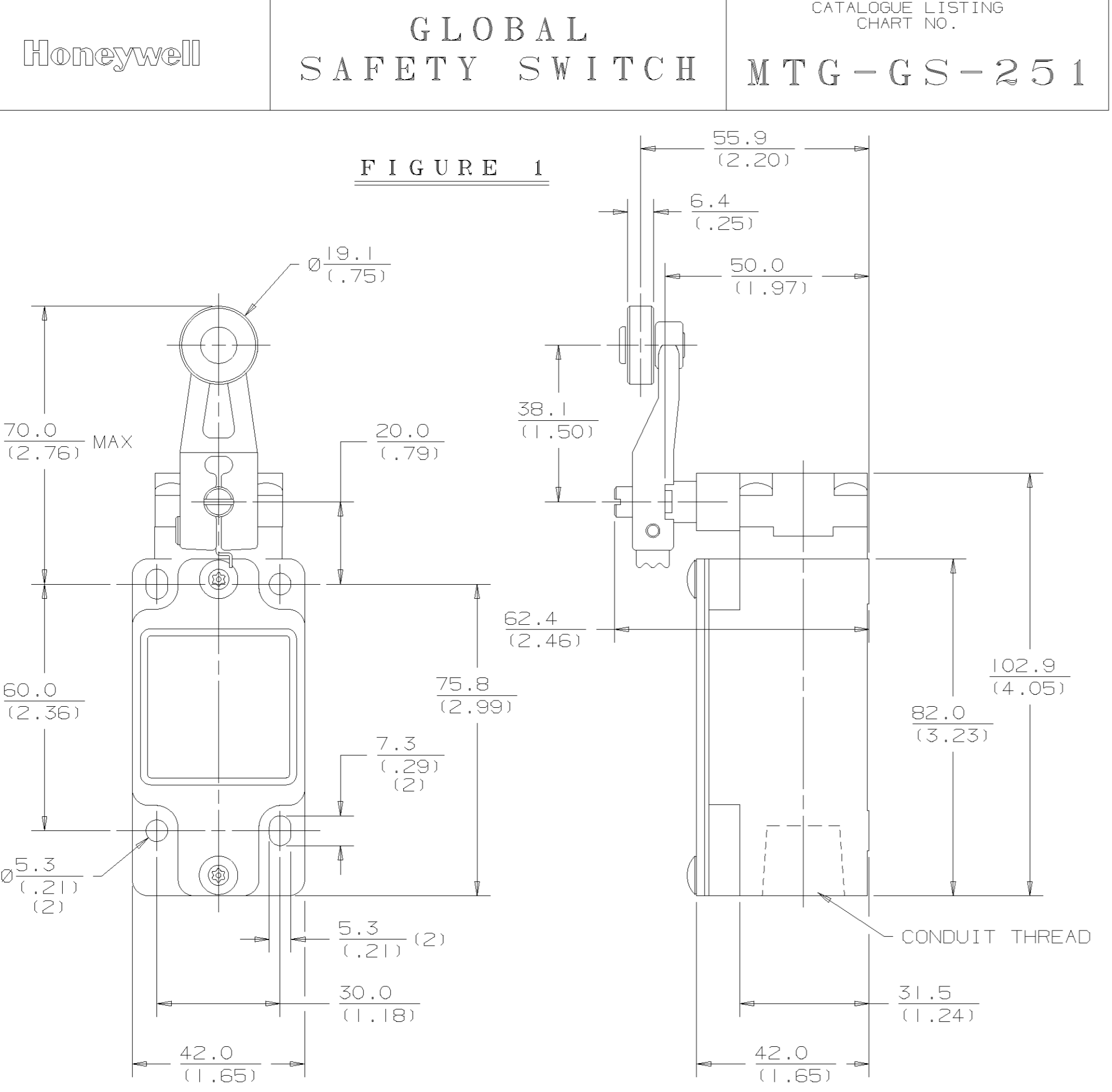


MTG-GS-251

DRAWING NUMBER  
3

REVISIONS  
2 CO#703  
IW 11/98  
3 CO#1315  
IW 2/00

DO NOT SCALE PRINT  
REPLACES (M) GS SERIES CHART 1  
CO#542  
RELEASE NUMBER



**GLOBAL SAFETY SWITCH MTG-GS-251**

CATALOGUE LISTING CHART NO.

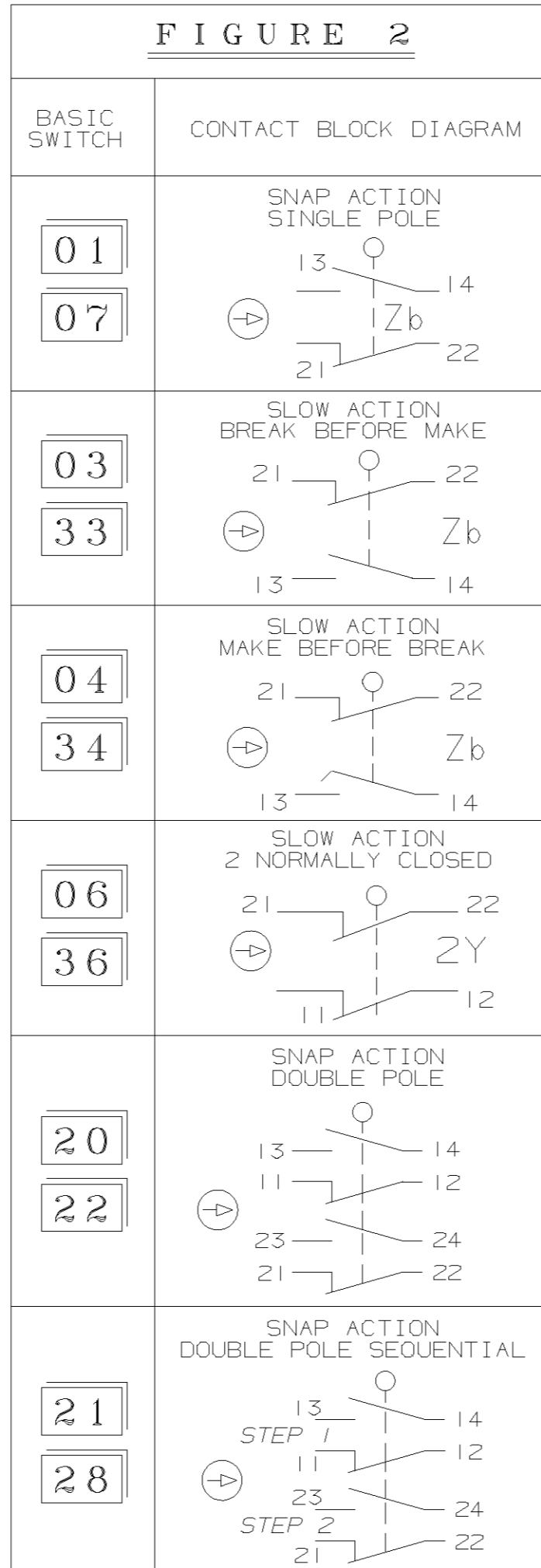


FIGURE 2		CAM ACTUATION PER EN50041		ANGULAR ACTUATION	
BASIC SWITCH	CONTACT BLOCK DIAGRAM	NOMINAL TRAVELS AND RELATED TERMINALS - CONTACT CLOSED □ - CONTACT OPEN ▨ - CONTACT CLOSED DIFFERENTIAL TRAVEL. ** POSITIVE OPENING TO IEC 947-5-1 DIMENSIONS IN mm	MAXIMUM OPERATING FORCE N/LB	MAXIMUM DISCONNECT FORCE N/LB	NOMINAL TRAVELS AND RELATED TERMINALS - CONTACT CLOSED □ - CONTACT OPEN ▨ - CONTACT CLOSED DIFFERENTIAL TRAVEL. ** POSITIVE OPENING TO IEC 947-5-1 DIMENSIONS IN mm
01 07	SNAP ACTION SINGLE POLE	→ 21-22 13-14 → 12 DIFFERENTIAL TRAVEL	9.7 2.2	11.4 2.6	→ 21-22 13-14 → 12" DIFFERENTIAL TRAVEL
03 33	SLOW ACTION BREAK BEFORE MAKE	→ 21-22 13-14 → 32	9.7 2.2	11.4 2.6	→ 21-22 13-14 → 38"
04 34	SLOW ACTION MAKE BEFORE BREAK	→ 21-22 13-14 → 20	9.7 2.2	11.4 2.6	→ 21-22 13-14 → 26"
06 36	SLOW ACTION 2 NORMALLY CLOSED	→ 21-22 11-12 → 32	9.7 2.2	11.4 2.6	→ 21-22 11-12 → 38"
20 22	SNAP ACTION DOUBLE POLE	→ 11-12, 21-22 13-14, 23-24 → 12 DIFFERENTIAL TRAVEL	9.7 2.2	11.8 2.7	→ 11-12, 21-22 13-14, 23-24 → 12" DIFFERENTIAL TRAVEL
21 28	SNAP ACTION DOUBLE POLE SEQUENTIAL	→ 11-12 13-14 21-22 23-24 → 7 DIFFERENTIAL TRAVEL	9.7 2.2	N/A	→ 11-12 13-14 21-22 23-24 → 7" DIFFERENTIAL TRAVEL

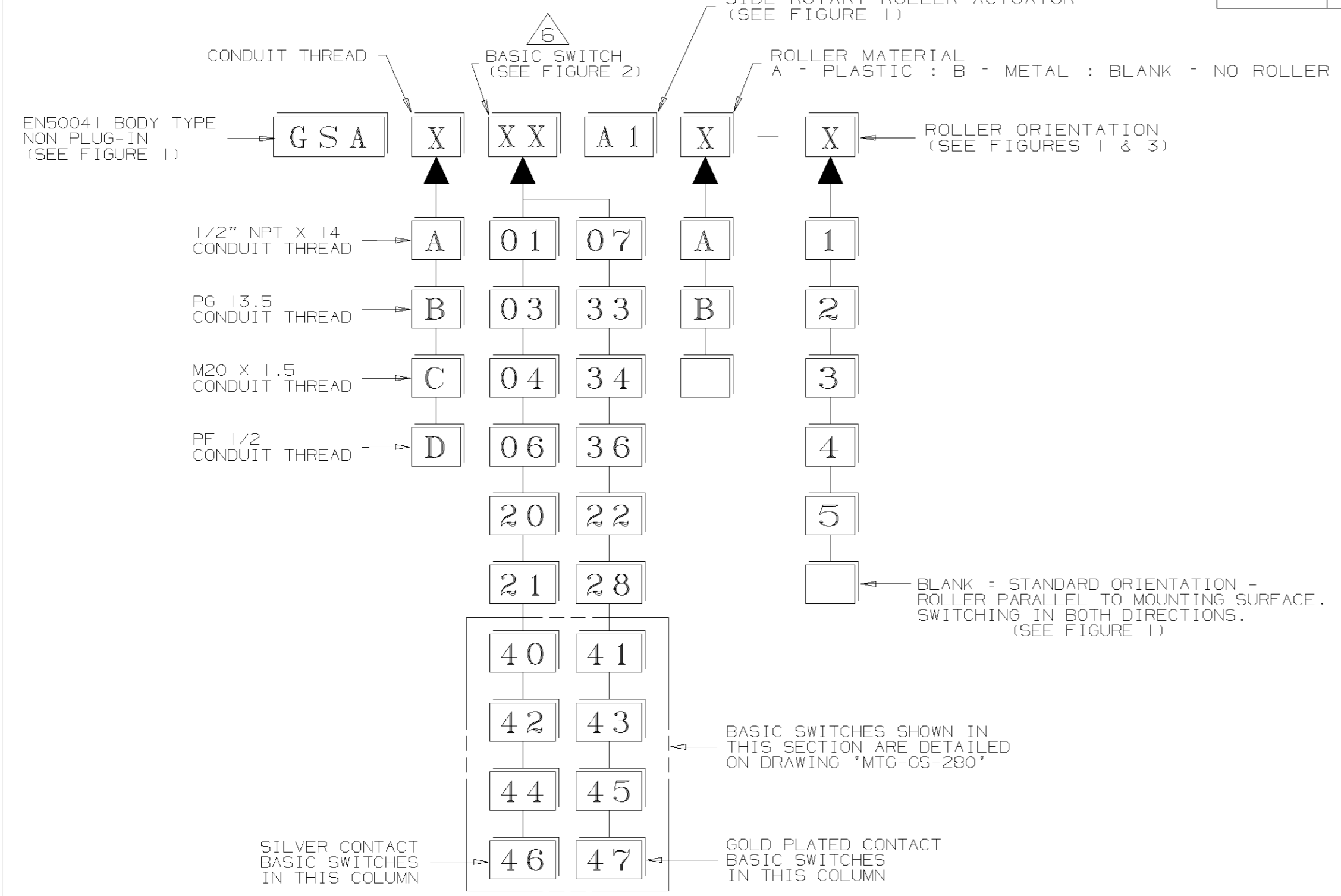
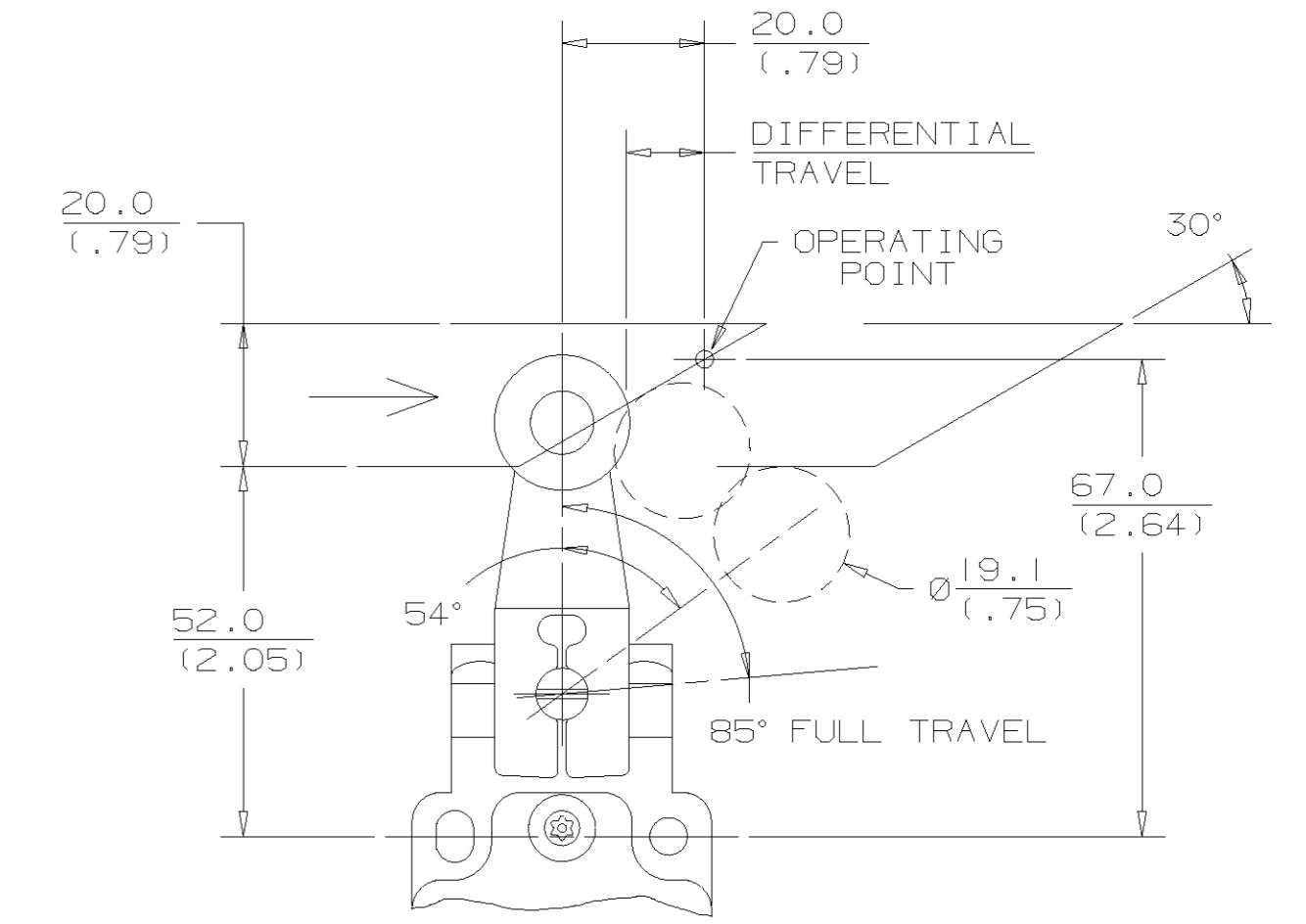
MIN. OPERATING VELOCITY = 8.5mm/S (0.33in/S)  
 MAX. OPERATING VELOCITY = 0.85M/S (33.5in/S)  
 MAX. OPERATING FREQUENCY = 250 OPS/MINUTE

MIN. OPERATING ACTUATION = 13°/SECOND  
 MAX. OPERATING ACTUATION = 1290°/SECOND  
 MAX. OPERATING FREQUENCY = 250 OPS/MINUTE

**NOTES:-**

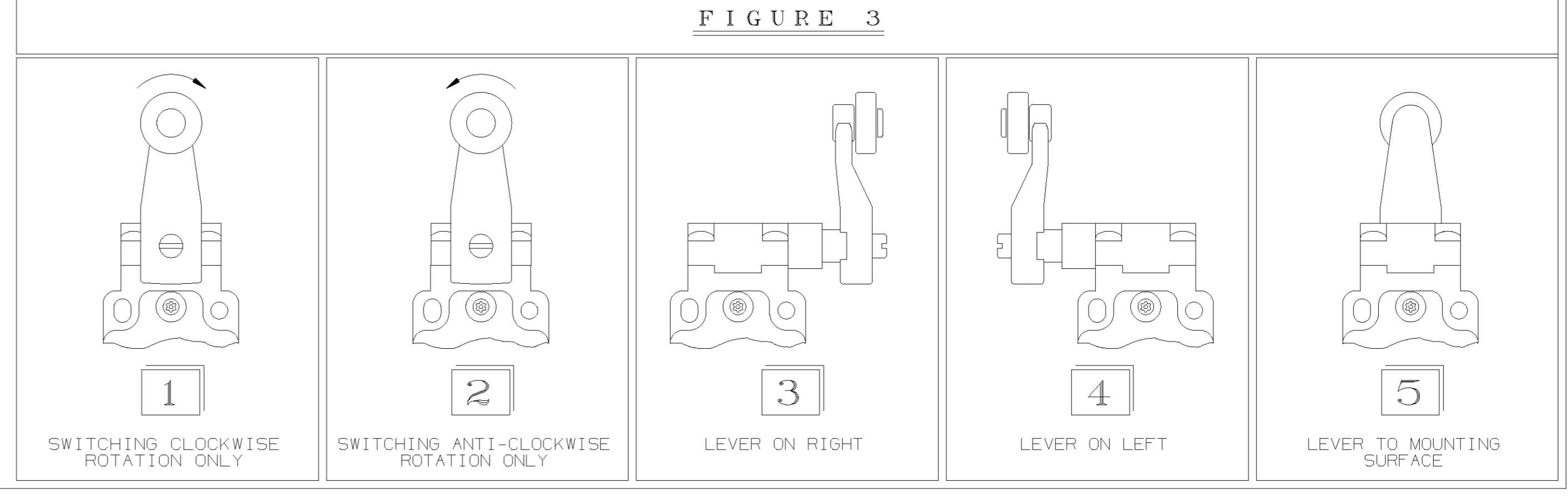
- RED EPOXY PAINT FINISHED ZINC DIE-CAST BODY AND STEEL COVER. BLACK EPOXY PAINT FINISHED ZINC DIE-CAST HEAD.
- FREE POSITION (F.P.), OPERATING POINT, OVERTRAVEL (O.T.) AND PRETRAVEL ALL TO EN50041.
- ANY STANDARD LISTING WITH SUFFIX 'RS' OR 'FE' IS PERMITTED.
- LEVERS MAY BE ATTACHED TO THE SHAFT AT 90° INCREMENTS. THEY MAY ALSO BE ATTACHED, BUT NOT KEYPED, ANYWHERE ON THE SHAFT.
- HEAD AND COVER FIXED WITH TORX® SOCKET HEAD SCREWS (DRIVER SUPPLIED).
- BG** APPROVAL APPLIES TO ALL LISTINGS EXCEPT THOSE CONTAINING BASIC SWITCHES 20, 22, 21 & 28.

NO CHANGES CAN BE MADE TO THIS DRAWING WITHOUT JOINT NEWHOUSE/FREEPORT APPROVAL



IEC 947-5-1 ELECTRICAL RATING				GOLD PLATED CONTACTS	ENVIRONMENTAL	APPROVALS
SILVER CONTACTS				I <sub>th</sub> = 10A	IP67 NEMA/UL 1,4,12,13	CE UL BG
AC		AC (FOR 2NC)				
A600 U <sub>e</sub>	AC15 I <sub>e</sub>	A500 U <sub>e</sub>	AC15 I <sub>e</sub>	DC	SHOCK : 50G PER IEC 68-2-27 VIBRATION : 10G PER IEC 68-2-6	IEC 60947-5-1 EN50041
VOLTS	AMPS	VOLTS	AMPS	O300 U <sub>e</sub>		
120	6	120	6	24	2.8	
240	3	240	3	125	0.55	
380	1.9	380	1.9	250	0.27	
480	1.4	480	1.4			
500	1.2	500	1.4			
600						

1V 10μA MIN.  
50V 100mA MAX.



DRAWN  
CHECK  
DESIGN  
AUTHOR'S N

THE COPYRIGHT OF THIS DRAWING IS THE PROPERTY OF HONEYWELL LTD. THE DRAWING IS SUPPLIED IN CONFIDENCE AND MUST NOT BE USED FOR ANY PURPOSE OTHER THAN THAT FOR WHICH IT IS SUPPLIED.

THIRD ANGLE PROJECTION

SCALE:- 1/1

DIMENSIONS ARE IN (INCHES)

MM

MODIFY ON CAD SYSTEM ONLY