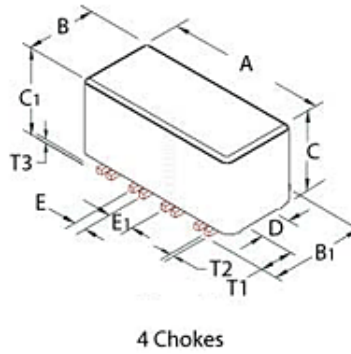
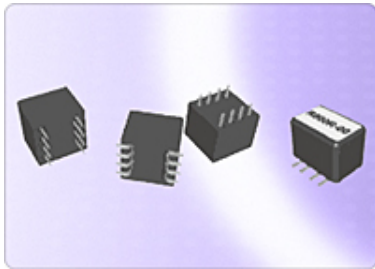


Item # CM5022R151R-10, Common Mode Arrays - Power and Signal EMI Filtering

Stock Locator

Laird Technologies' advanced family of common mode choke arrays provides EMI filtering for both power and data lines all in one part. The product is available from 4 lines up to 8 lines and is effective for power line filtering, USB, Firewire, 10T, 100T, RJ11/45, and Gigabit. Designed to maximize signal integrity.



SPECIFICATIONS

Figure Number	3
Typical Z Ohms at 25 MHz	112
Nominal Z Ohms at 100 MHz	150
Typical Z Ohms at 500 MHz	165
Typical Z Ohms at 1 GHz	167
Typical Peak Impedance (OHMS)	177
Peak Impedance Frequency (MHZ)	2092
MAX. DCR (OHMS)	0.02
Rated Current (Continuous)	5000
Dimension A	12.57 mm 0.495 in
Dimension B	5.72 mm 0.225 in

Dimension B1	0.265 in 6.73 mm
Dimension C	7.62 mm 0.300 in
Dimension C1	0.330 in 8.40 mm
Dimension D	2.41 mm 0.095 in
Dimension E	0.89 mm 0.035 in
Dimension E1	0.075 in 1.91 mm
Dimension T1	0.075 in 1.91 mm
Dimension T2	0.015 in 0.38 mm
Dimension T3	0.015 in 0.38 mm
Part Size Code	5022
Packaging	Tape & Reel Standard SMT Package
Additional Description	Lead Free Standard Catalog Part