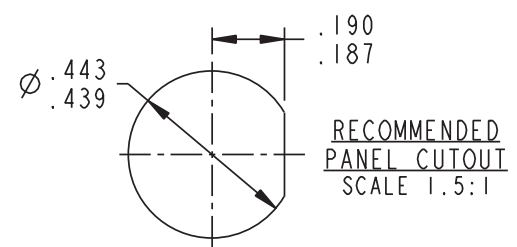
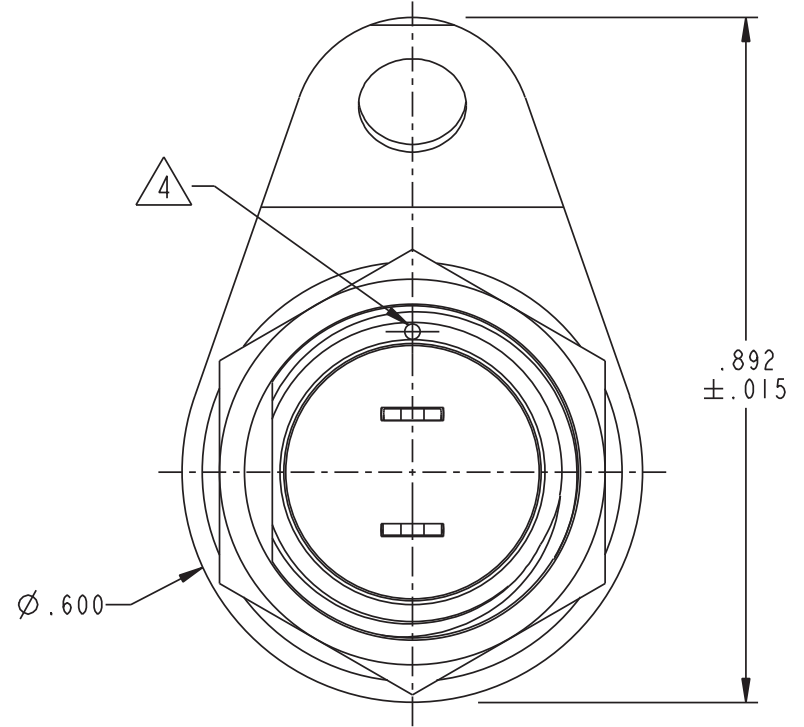
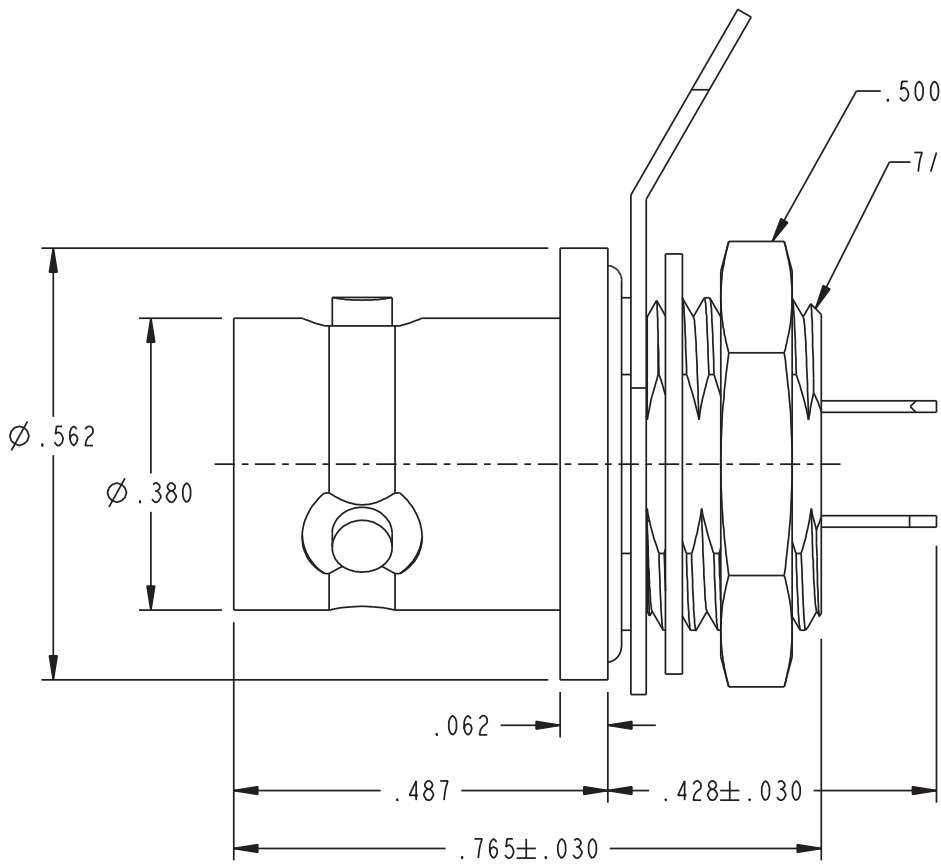


DATA CONTAINED IN THIS DOCUMENT IS PROPRIETARY TO EMERSON CONNECTIVITY SOLUTIONS AND SHALL NOT BE DISCLOSED, COPIED OR USED FOR PROCUREMENT OR MANUFACTURE WITHOUT EXPRESS WRITTEN PERMISSION

REVISIONS			
REV	DESCRIPTIONS	DATE	APPROVED
G	ECO 53253	4/29/11	T. KOHLER



5. LEAKAGE RATE: 1×10^{-8} ATM CC/SEC MAXIMUM OF INERT GAS (HELIUM) IAW MIL-STD-1344 REVISION A, METHOD 1008, TEMPERATURE RANGE -45.6°C TO $+71^{\circ}\text{C}$.

4. RED DOT INDICATES CENTER CONTACT TAB.

3. MAX PANEL THICKNESS: .125

2. SOCKET CONTACT CONCENTRIC TWINAX/TRIAX HERMETICALLY SEALED BULKHEAD MOUNT RECEPTACLE.

1. PASSIVATED STAINLESS STEEL.

NOTES: UNLESS OTHERWISE SPECIFIED.

INTERPRET DRAWING PER MIL-STD-100. DIMENSIONS ARE IN INCHES AND INCLUDE FINISH THICKNESS UNLESS OTHERWISE SPECIFIED.		TOL: UNLESS SPECIFIED. .XX \pm .01 .XXX \pm .003 .XXXX \pm .0010 ANGLE \pm 1° 00' CRITICAL		 Cinch Connectivity Solutions 299 Johnson Ave. Ste. 100 Waseca, MN 56093 1-800-247-8256	
DRN C. WALLACE	5/2/11	MATERIAL:	TITLE: BJ77HS		
CHK		FINISH:	SIZE A	CAGE CODE 14949	DRAWING NO. 305-0750
QUALITY			SCALE 4/1	DATE 1/10/11	REV. G
MANUF		DO NOT SCALE DWG	SHEET 1 OF 2		
APPROVED					
SURFACE AREA		PROJ FILE NO. 305-0750			