

SUMMARY



Image is for illustrative purpose only

Wires

Low	0
High	0
Coax	1
Triax	0
Quad	0
Fiber	0
Fluidic	0

Download

[Request a quote](#)

[Catalog](#)

Series	00
Termination type	Coupler/adapter/bridge
IP rating	50
Cable Ø	0.00 - 0.00 mm
Status	active
Alternative part	

TECHNICAL DETAILS

Mechanics

Shell Style/Model	ABC*: Adapter from LEMO receptacle to BNC receptacle
Keying	Circular (can rotate)
Housing Material	Brass (nickel plated) shell, collet nut, latch sleeve and mid pieces
Variant	
Weight	17.85 g

Performance

Configuration	00.250/ABC : 1 Coax (50 Ohm)
Insulator	T: PTFE
Rated Current	4 Amps

Specifications

Contact Type: Coaxial 50 Ohm
Max. Matings: 500
Contact Retention: 18 N
Contact Dia.: 0.7 mm (0.03in)
Vtest: 2100 V (AC), 3000 V (DC)

LEMO products and services are provided "as is". LEMO makes no warranties or representations with regard to LEMO product & services or use of them, express, implied or statutory, including for accuracy, completeness, or security. The user is fully responsible for his products and applications using LEMO components.

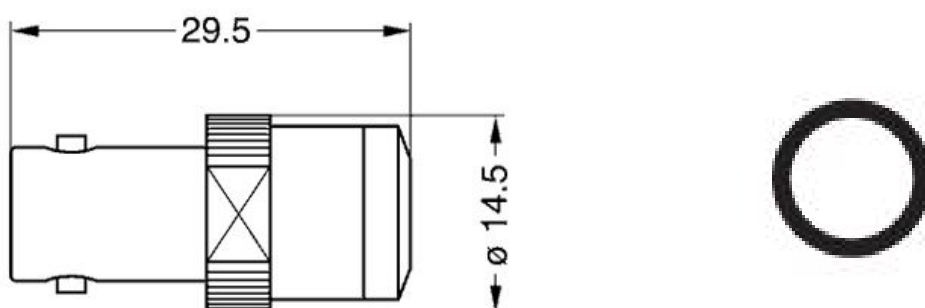
□
Impedance: 50 Ohm
VSWR: $1.09 + 0.11 * f/\text{GHz}$

Others

Endurance (Shell): 5000 mating cycles
F ret (min): 100 N
Salt Spray Corrosion: >144 hr
IP Rating: 50

DRAWINGS

Draws



Dimensions

	A	L
mm.	14.5	29.5
in.	0,57	1,16

RECOMMENDED BY LEMO

Tools

Crimp Tool: DPC.91.701.V

Cables

LEMO products and services are provided "as is". LEMO makes no warranties or representations with regard to LEMO product & services or use of them, express, implied or statutory, including for accuracy, completeness, or security. The user is fully responsible for his products and applications using LEMO components.

LEMO products and services are provided "as is". LEMO makes no warranties or representations with regard to LEMO product & services or use of them, express, implied or statutory, including for accuracy, completeness, or security. The user is fully responsible for his products and applications using LEMO components.