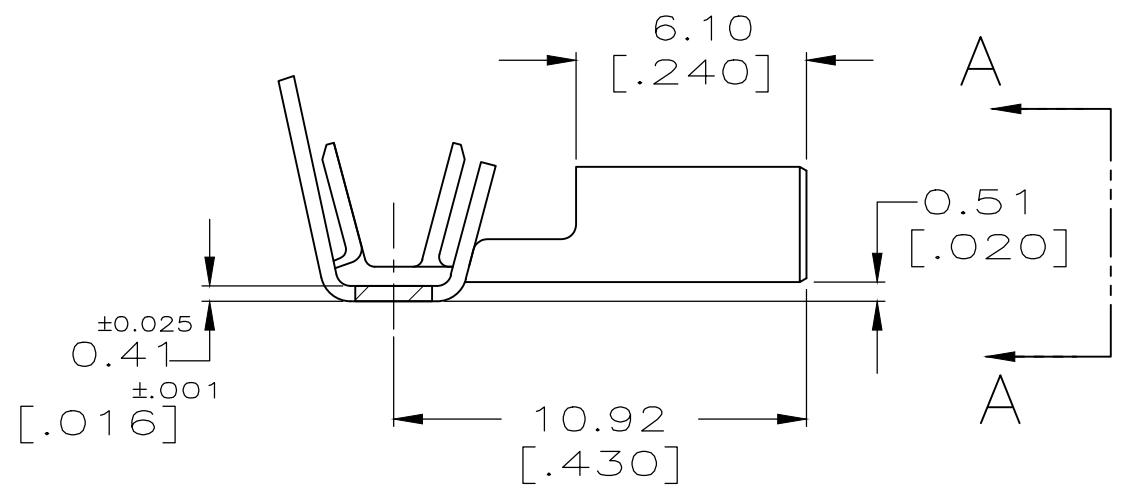
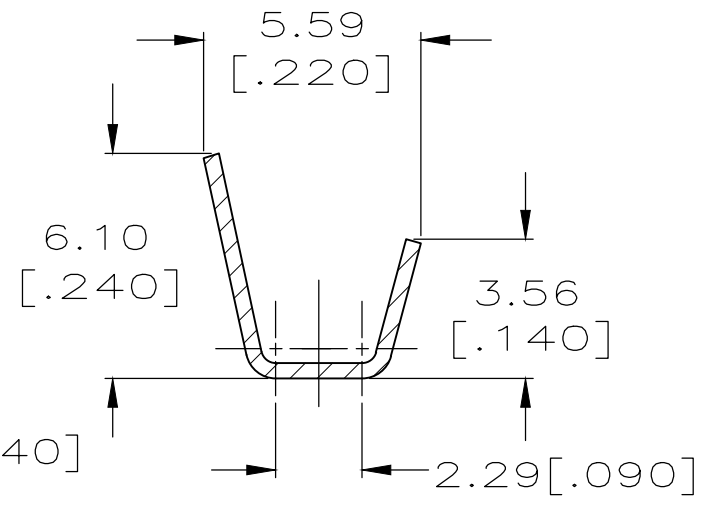
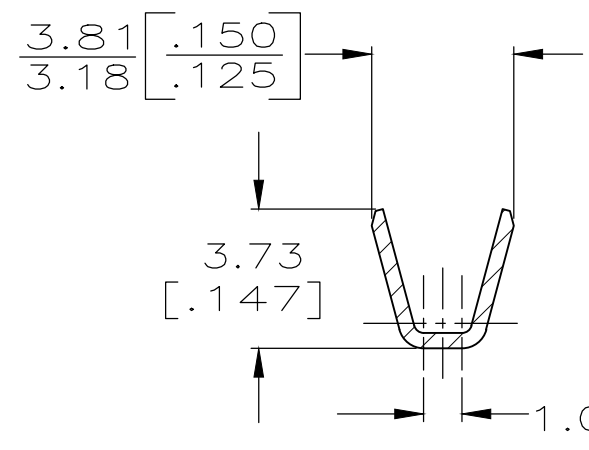
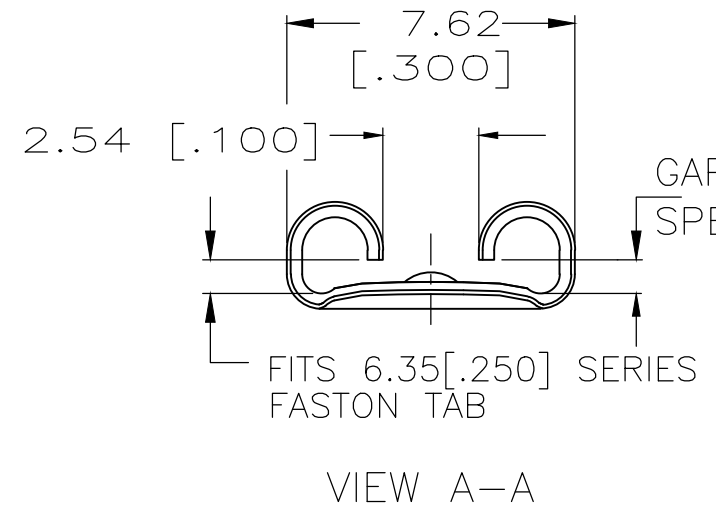
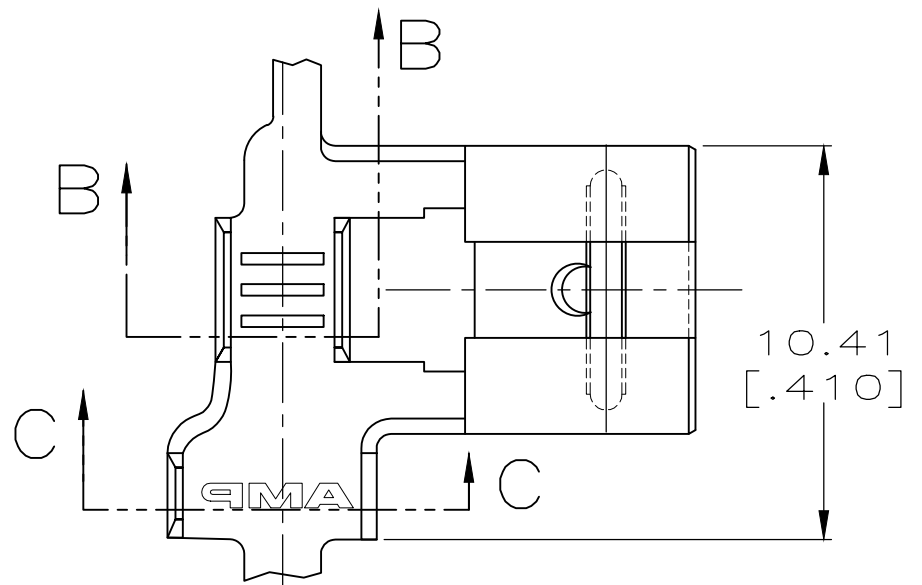


THIS DRAWING IS UNPUBLISHED. RELEASED FOR PUBLICATION
 © COPYRIGHT - By - ALL RIGHTS RESERVED.

LOC	DIST	REVISIONS					
AF	50	P	LTR	DESCRIPTION	DATE	DWN	APVD
			H2	REVISED PER ECR-20-009164	28JUL2020	MK	DH

1 CONTINUOUS STRIP ON REELS.



TIN	2.79-4.06 [.110-.160] DIA	0.8-2.0mm ² [18-14] AWG	0.84-0.76 [.033-.030]	63010-2 63010-1
FINISH	INSUL RANGE	WIRE SIZE	MATING TAB THK	PART NO

THIS DRAWING IS A CONTROLLED DOCUMENT.		DWN	JR RUTH	4/9/91	STE TE Connectivity		
DIMENSIONS: mm [INCHES]		CHK	MS FEHER	4/9/91			
TOLERANCES UNLESS OTHERWISE SPECIFIED:		APVD	C MEYERS	4/9/91	NAME		
0 PLC ± -		PRODUCT SPEC		RECEPTACLE, FASTON, FLAG, 6.35 [.250] SERIES			
1 PLC ± -		APPLICATION SPEC		-			
2 PLC ± -		-		SIZE	CAGE CODE	DRAWING NO	RESTRICTED TO
3 PLC ± 0.38 [.015]		-		A3 00779 C-63010			-
4 PLC ± -		-		CUSTOMER DRAWING			SCALE
ANGLES ± -		FINISH		5:1			SHEET
BRASS		SEE TABLE		1 OF 1			REV
				H2			