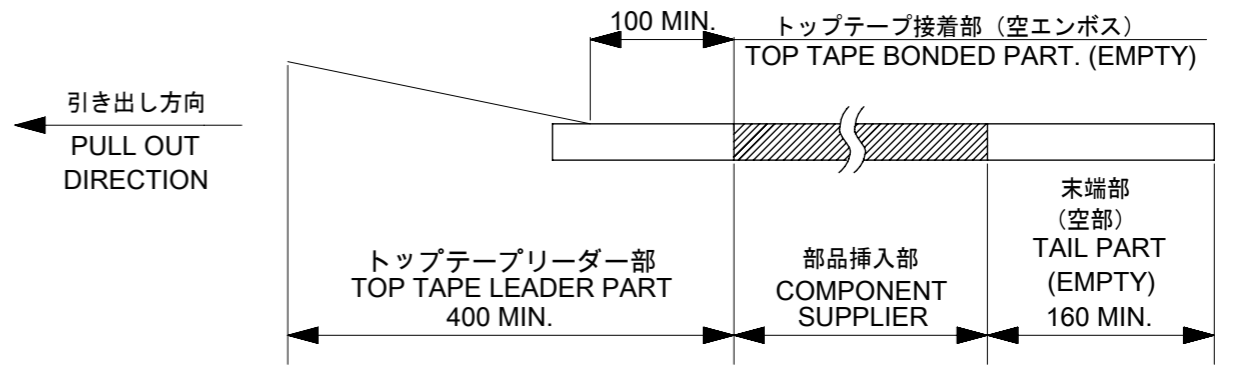


注記 NOTES:

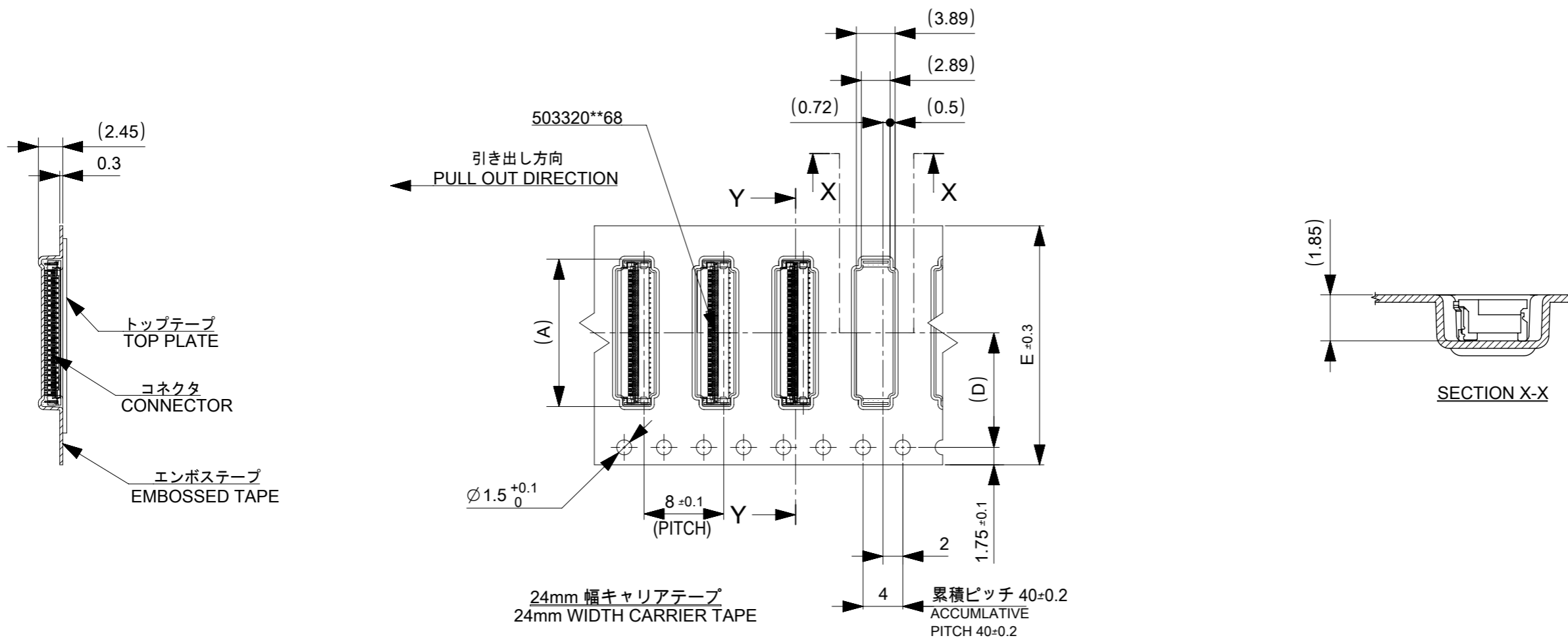
- 製品詳細寸法については図面 5033201000 を参照下さい。
FOR DETAIL OF CONNECTOR DIMENSIONS, SEE 5033201000
- 梱包数量: 3000 個 / リール
NUMBER OF CONNECTORS : 3000 PCS/REEL
- リードテープ長さ LEAD TAPE LENGTH



- 材料 MATERIAL
キャリアテープ (CARRIER TAPE) : ポリスチレン (POLYSTYRENE)
トップテープ (TOP TAPE) : PET , PE , PEF
リール (REEL) : ポリスチレン (PS) リサイクル材を含む
POLYSTYRENE (PS) <RECYCLE MATERIAL CONTAINED>
- ELV & RoHS COMPLIANT

MATERIAL NO. 503320**60

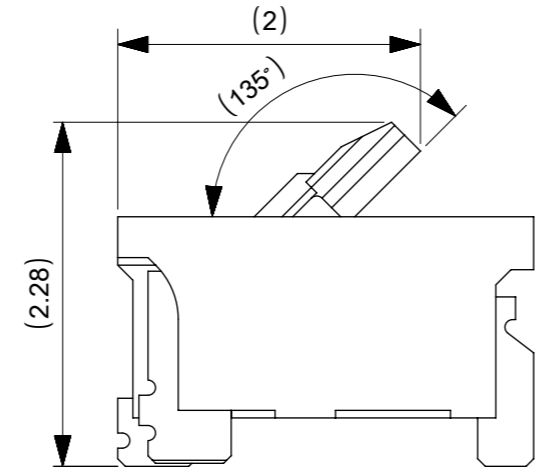
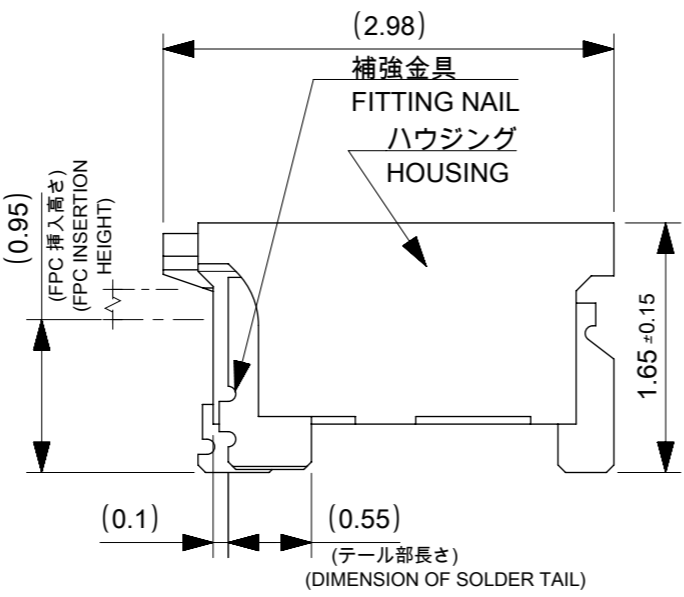
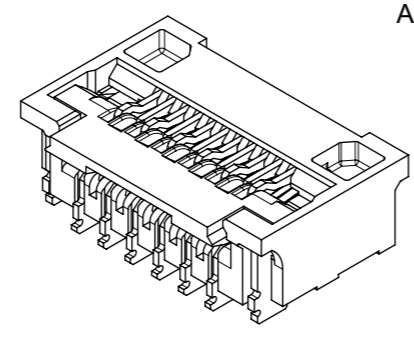
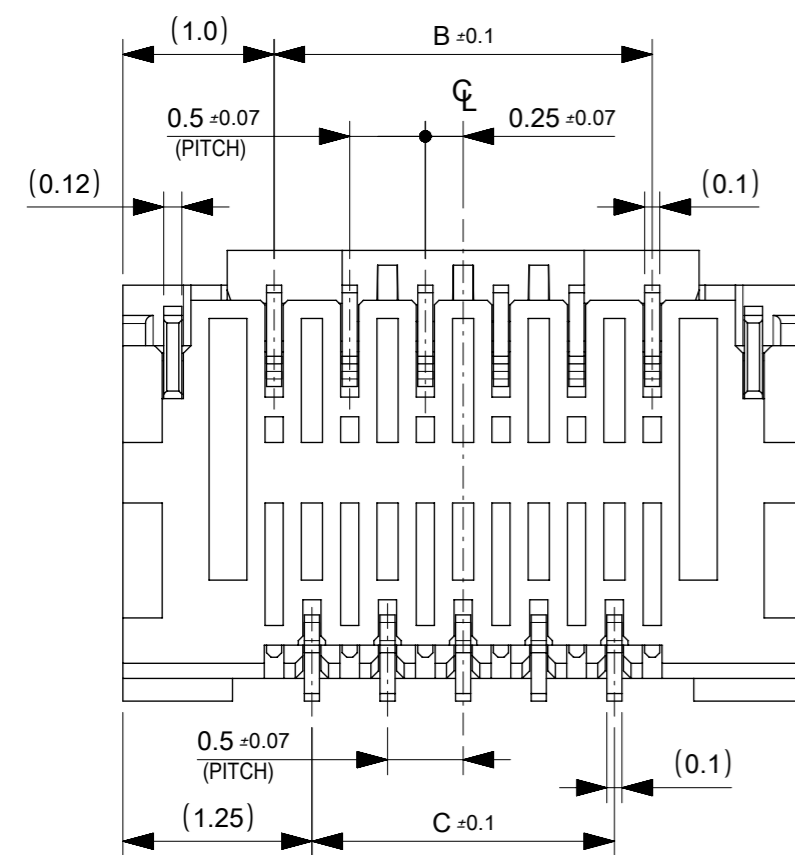
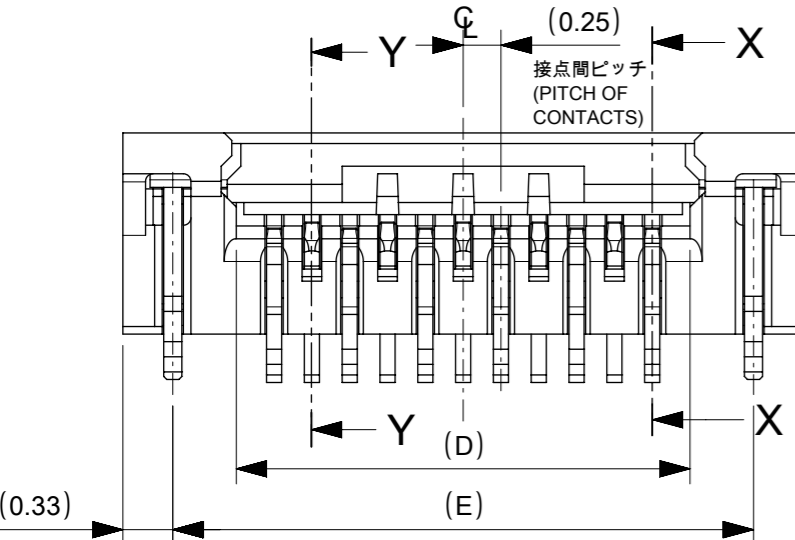
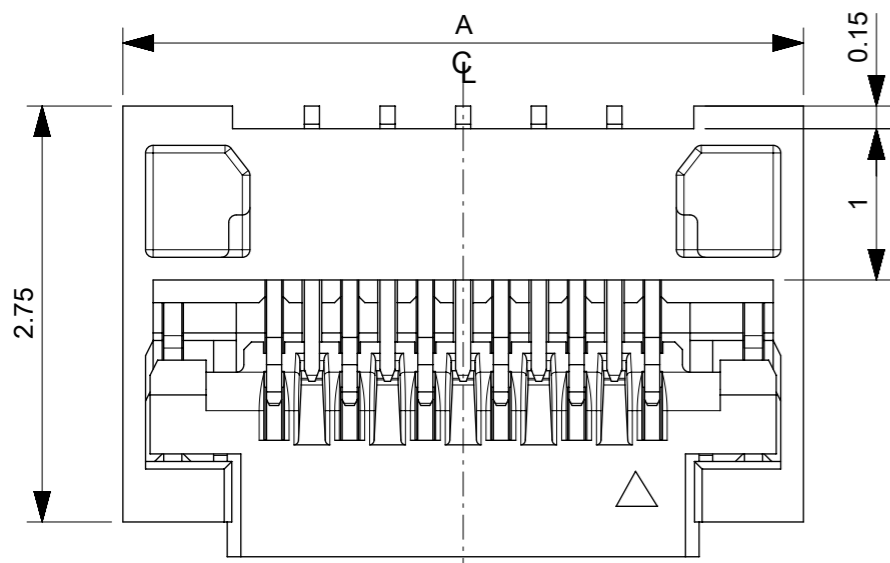
THIS DRAWING CONTAINS INFORMATION THAT IS PROPRIETARY TO MOLEX ELECTRONIC TECHNOLOGIES, LLC AND SHOULD NOT BE USED WITHOUT WRITTEN PERMISSION										
REDRAW	2015/12/07	GENERAL TOLERANCES (UNLESS SPECIFIED)		DIMENSION UNITS	SCALE	molex				
	2015/12/24	ANGULAR TOL ± °		mm	---					
	2015/12/24	4 PLACES ±	DRWN BY	DATE		0.25MM PITCH FPC CONN HGT=1.65 HSG ASSY EMBOSSED TAPE PACKAGE				
		3 PLACES ±	VNANDAM	2015/12/07						
		2 PLACES ±	CHK'D BY	DATE		PRODUCT CUSTOMER DRAWING				
		1 PLACE ±	HIIJIMA							
	0 PLACES ±	APPR BY	DATE		SERIES	MATERIAL NUMBER	CUSTOMER			
EC NO. 102256			DRAFT WHERE APPLICABLE MUST REMAIN WITHIN DIMENSIONS	DRAWING SIZE	THIRD ANGLE PROJECTION	503320	SEE CHART	GENERAL		
A	REV			A3		DOCUMENT NUMBER	DOC TYPE	DOC PART	SHEET NUMBER	
						5033200000	PSD	000	1 OF 2	



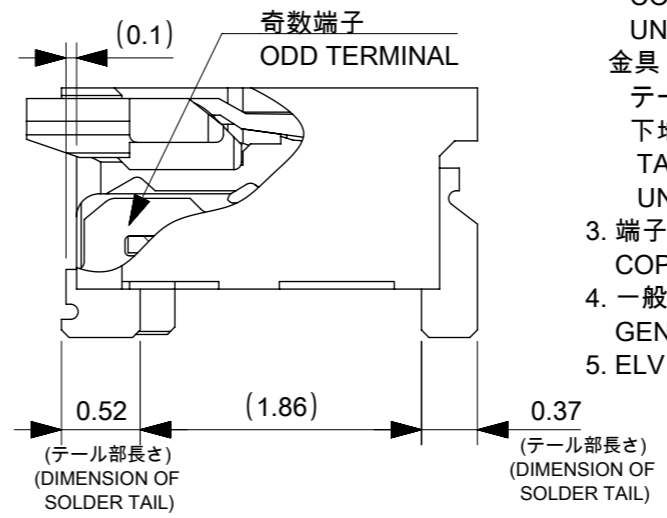
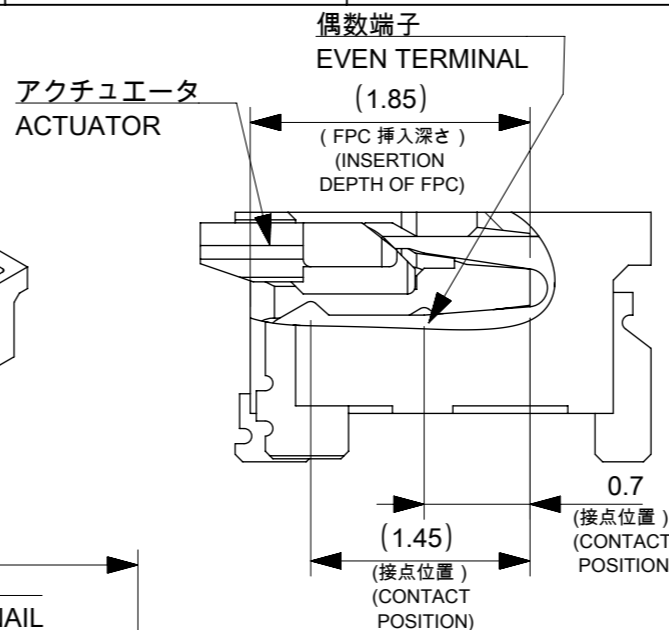
24	11.5	29.4	25.4	12.3	5033204160	41
				11.3	5033203760	37
				8.3	5033202560	25
E キャリアテープ幅 CARRIER TAPE WIDTH		(D)	C	B	(A)	EMBOSSED PACKAGE 極数 オーダー番号 ORDER NO. CKT
					MATERIAL NO. 503320**60	

THIS DRAWING CONTAINS INFORMATION THAT IS PROPRIETARY TO MOLEX ELECTRONIC TECHNOLOGIES, LLC AND SHOULD NOT BE USED WITHOUT WRITTEN PERMISSION

REDRAW EC NO: 102256 DRWN: VNANDAM CHK'D: YNOGAWA APPR: YNOGAWA 2015/12/07 2015/12/24 2015/12/24	GENERAL TOLERANCES (UNLESS SPECIFIED)		DIMENSION UNITS	SCALE	
	ANGULAR TOL ± °		mm	---	
	4 PLACES ±		DRWN BY	DATE	
	3 PLACES ±		VNANDAM	2015/12/07	
	2 PLACES ±		CHK'D BY	DATE	
	1 PLACE ±		HIIJIMA		
0 PLACES ±		APPR BY	DATE	PRODUCT CUSTOMER DRAWING	
DRAFT WHERE APPLICABLE MUST REMAIN WITHIN DIMENSIONS		YNOGAWA	2015/12/24	DRAWING SIZE	THIRD ANGLE PROJECTION
A	REV	A3		A3	
SERIES		MATERIAL NUMBER		CUSTOMER	
503320		SEE CHART		GENERAL	
DOCUMENT NUMBER		DOC TYPE	DOC PART	SHEET NUMBER	
5033200000		PSD	000	2 OF 2	



アクチュエータ開放位置
ACTUATOR OPENING
POSITION



SECTION X-X

注記 NOTES:

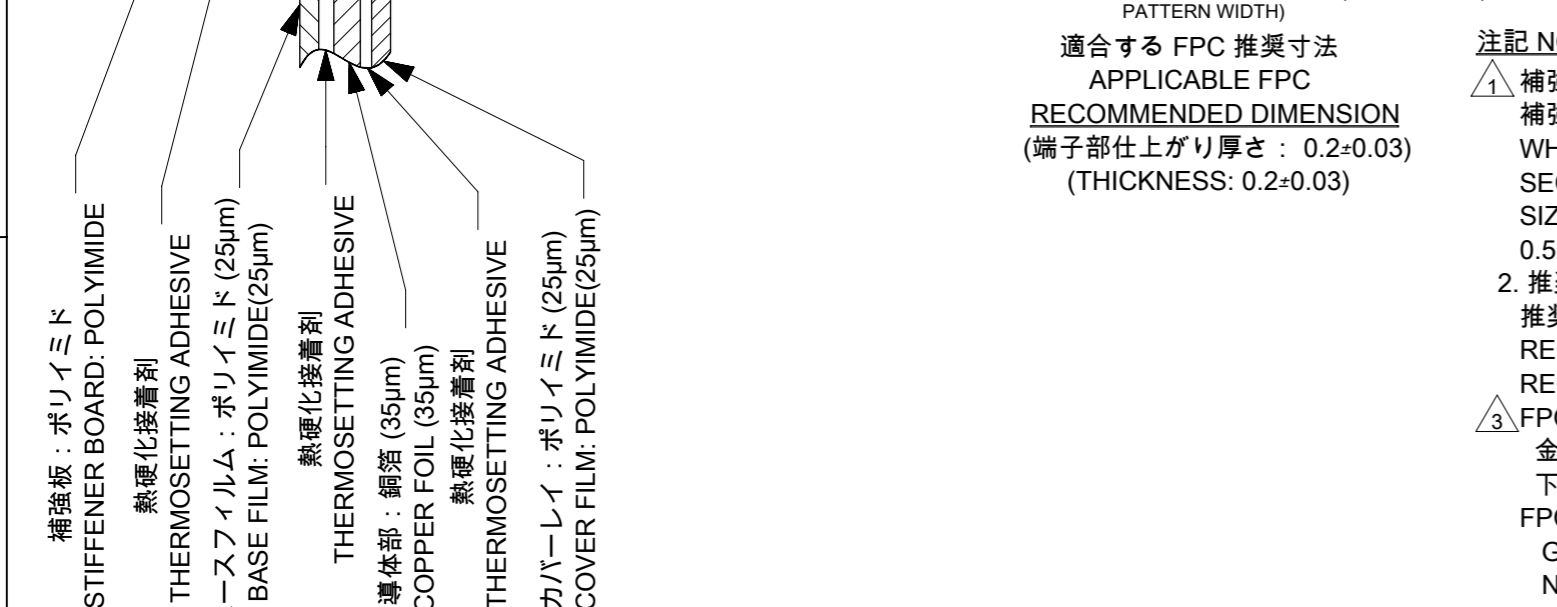
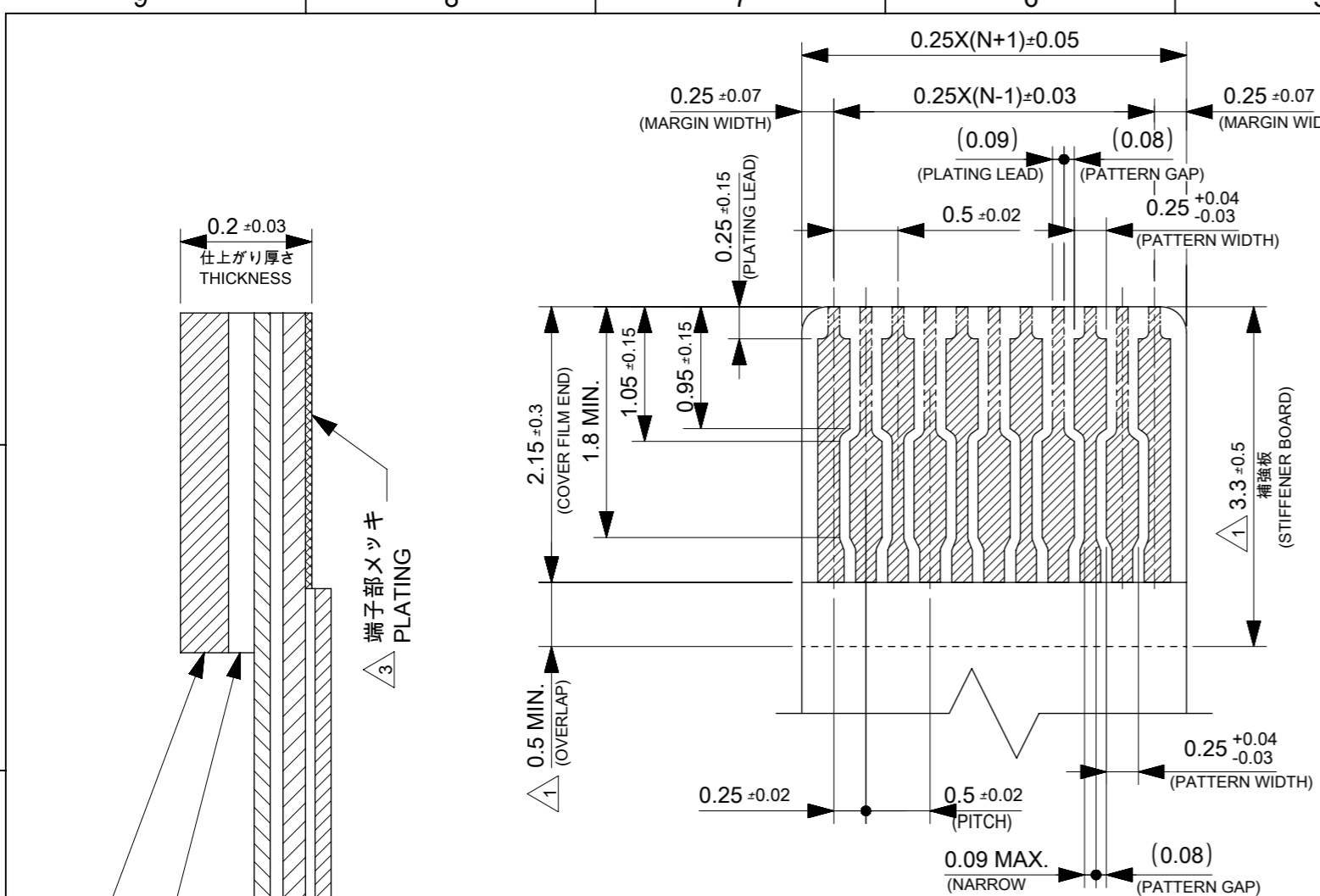
- 使用材料 MATERIALS
 ハウジング : 液晶ポリマー(ガラス充填、UL94V-0、ベージュ)
 アクチュエータ : ポリアミド(ガラス充填、UL94HB、黒色)
 奇数端子 : 銅合金
 偶数端子 : 銅合金
 補強金具 : 銅合金
 HOUSING : LIQUID CRYSTAL POLYMER (GLASS FILLED, BEIGE)
 ACTUATOR : POLYAMIDE (GLASS FILLED, BLACK)
 ODD TERMINAL : COPPER ALLOY
 EVEN TERMINAL : COPPER ALLOY
 FITTING NAIL : COPPER ALLOY
- メッキ仕様 PLATING
 端子 TERMINAL
 テール部 : 部分金メッキ
 接点部 : 部分金メッキ 0.1μm MIN.
 下地 : ニッケルメッキ 1.0μm MIN.
 TAIL AREA : SEPARATED GOLD PLATING
 CONTACT AREA : SEPARATED GOLD PLATING 0.1μm MIN.
 UNDER PLATING : NICKEL PLATING 1.0μm MIN.
 金具 FITTING NAIL
 テール部 : スズメッキ 0.5μm MIN.
 下地 : ニッケルメッキ 1.0μm MIN.
 TAIL AREA : TIN PLATING 0.5μm MIN.
 UNDER PLATING : NICKEL PLATING 1.0μm MIN.
- 端子、補強金具のコプラナリティーは0.1以下とする
 COPLANARITY OF SOLDER TAILS AND FITTING NAILS : 0.1MAX.
- 一般公差 : ±0.3
 GENERAL TOLERANCES : ±0.3
- ELV & RoHS COMPLIANT.

11.34	10.5	9.5	10.0	12.0	5033204160	41
10.34	9.5	8.5	9.0	11.0	5033203760	37
7.34	6.5	5.5	6.0	8.0	5033202560	25
E	D	C	B	A	EMBOSSED PACKAGE	極数
オーダー番号 ORDER NO.						CIRCUITS
CONNECTOR SERIES NO. 503320**68						

THIS DRAWING CONTAINS INFORMATION THAT IS PROPRIETARY TO MOLEX ELECTRONIC TECHNOLOGIES, LLC AND SHOULD NOT BE USED WITHOUT WRITTEN PERMISSION

REDRAW EC NO: 102256 DRWN: VNANDAM CHK'D: YNOGAWA APPR: YNOGAWA	2015/12/07	GENERAL TOLERANCES (UNLESS SPECIFIED)	DIMENSION UNITS	SCALE	<p>0.25 PITCH FPC CONN E/O HGT=1.65 BTM CONTACT</p> <p>PRODUCT CUSTOMER DRAWING</p>
	2015/12/24	ANGULAR TOL ± 1.0 °	mm	20:1	
	2015/12/24	4 PLACES ±	DRWN BY	DATE	
		3 PLACES ±	VNANDAM	2015/12/07	
		2 PLACES ±	CHK'D BY	DATE	
	1 PLACE ±	HIIJIMA			
	0 PLACES ±	APPR BY	DATE		
		YNOGAWA	2015/12/24		
		DRAWING SIZE	THIRD ANGLE PROJECTION		
		A3			
		DRAFT WHERE APPLICABLE MUST REMAIN WITHIN DIMENSIONS			

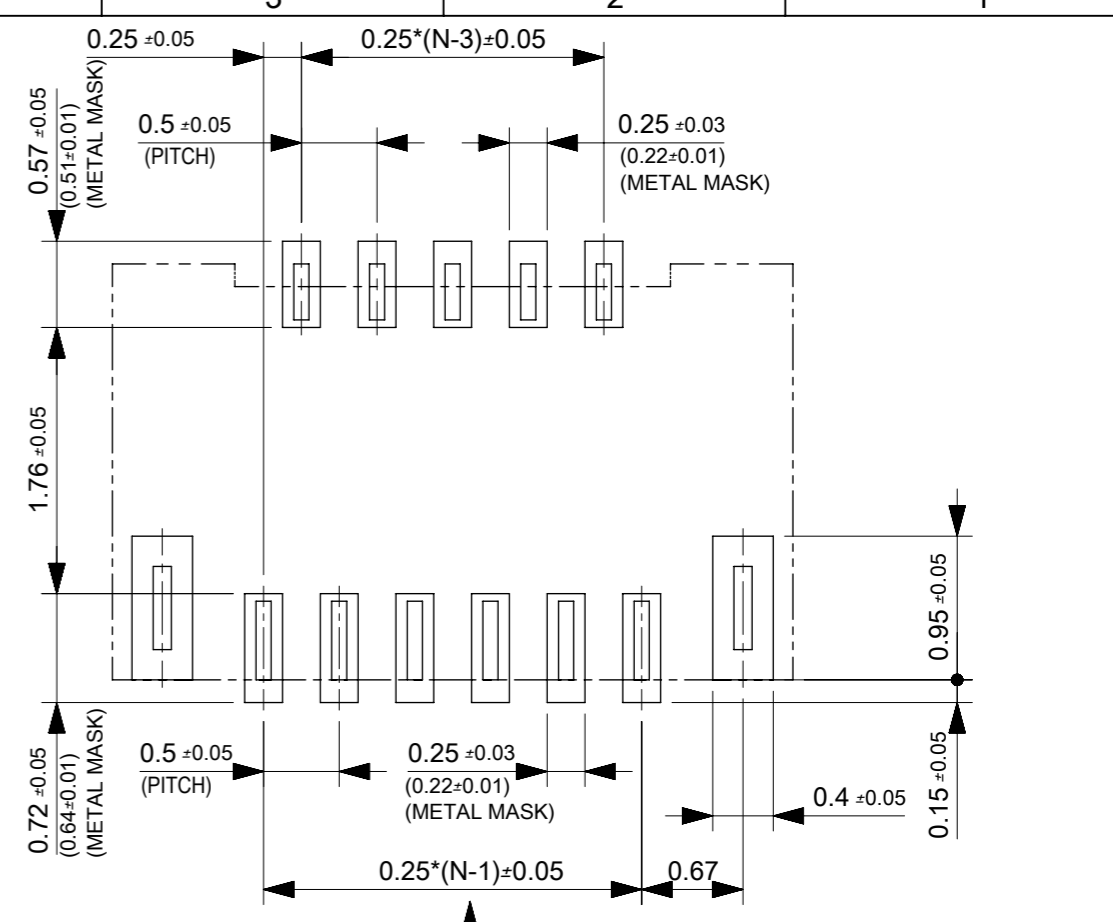
SERIES	MATERIAL NUMBER	CUSTOMER
503320	SEE CHART	GENERAL
DOCUMENT NUMBER	DOC TYPE	DOC PART
5033201000	PSD	000
SHEET NUMBER		
1 OF 2		



適合する FPC 推奨寸法
 APPLICABLE FPC
RECOMMENDED DIMENSION
 (端子部仕上がり厚さ : 0.2±0.03)
 (THICKNESS: 0.2±0.03)

注記 NOTES:

- 1 補強板長さが図面通り確保できない場合は、カバーレイと補強板のオーバーラップ寸法を 0.5mm 以上としてください
 WHEN STIFFENER BOARD DIMENSION CAN NOT SECURE AS DRAWING, PLEASE GIVE THE OVERLAP SIZE OF COVER FILM AND STIFFENER BOARD AS 0.5mm MINIMUM
- 2 推奨マスク厚 : 100µm
 推奨マスク開口率 : 80%
 RECOMMEND SCREEN THICKNESS : 100µm
 RECOMMEND SCREEN OPEN RATIO : 80%
- 3 FPC パターンのメッキ仕様は
 金メッキ : 0.1µm 以上
 下地ニッケルメッキ : 2~6µm
 FPC PATTERN PLATING
 GOLD PLATING : 0.1µm MINIMUM
 NICKEL UNDER PLATING : 2~6µm



FPC 挿入側
 FPC INSERTION SIDE
 参考基板レイアウト
 RECOMMENDED PCB
PATTERN DIMENSIONS (REF.)

4. FPC について (ABOUT FPC)
- 抜き方向は、導体側から補強板側を推奨します
 補強板材質は、ポリイミドを推奨します
 接着剤は熱硬化接着剤を推奨します
 なお、接着剤の接点部への付着は導通不良の原因となりますので染み出しがないよう、お願いします
- RECOMMENDED PUNCHER DIRECTION:
 FROM CONDUCTOR SIDE TO STIFFENER BOARD SIDE
- RECOMMENDED MATERIAL:
 STIFFENER BOARD: POLYIMIDE
 BONDING AGENT: THERMOSETTING AGENT
 PLEASE PUT APPROPRIATE AMOUNT OF ADHESIVE ON THE CONTACT AREA BECAUSE THE EXTRA ADHESIVE MAY CAUSE THE DEFECT IN ELECTRICAL CONTINUITY

FPC 構成材料例
 EXAMPLE OF FPC
 COMPOSITION MATERIAL

THIS DRAWING CONTAINS INFORMATION THAT IS PROPRIETARY TO MOLEX ELECTRONIC TECHNOLOGIES, LLC AND SHOULD NOT BE USED WITHOUT WRITTEN PERMISSION

REDRAW	2015/12/07	GENERAL TOLERANCES (UNLESS SPECIFIED)		DIMENSION UNITS	SCALE	
	2015/12/24	ANGULAR TOL ± 1.0 °		mm	20:1	
	2015/12/24	4 PLACES ±	VNANDAM	DATE	2015/12/07	
		3 PLACES ±	CHK'D BY	DATE		
		2 PLACES ±	HIIJIMA			
		1 PLACE ±	APPR BY	DATE		
		0 PLACES ±	YNOGAWA	2015/12/24		
		DRAFT WHERE APPLICABLE MUST REMAIN WITHIN DIMENSIONS		DRAWING SIZE	THIRD ANGLE PROJECTION	PRODUCT CUSTOMER DRAWING
				A3		SERIES
						503320
						MATERIAL NUMBER
						SEE CHART
						CUSTOMER
						GENERAL
						DOCUMENT NUMBER
						5033201000
						DOC TYPE
						PSD
						DOC PART
						000
						SHEET NUMBER
						2 OF 2