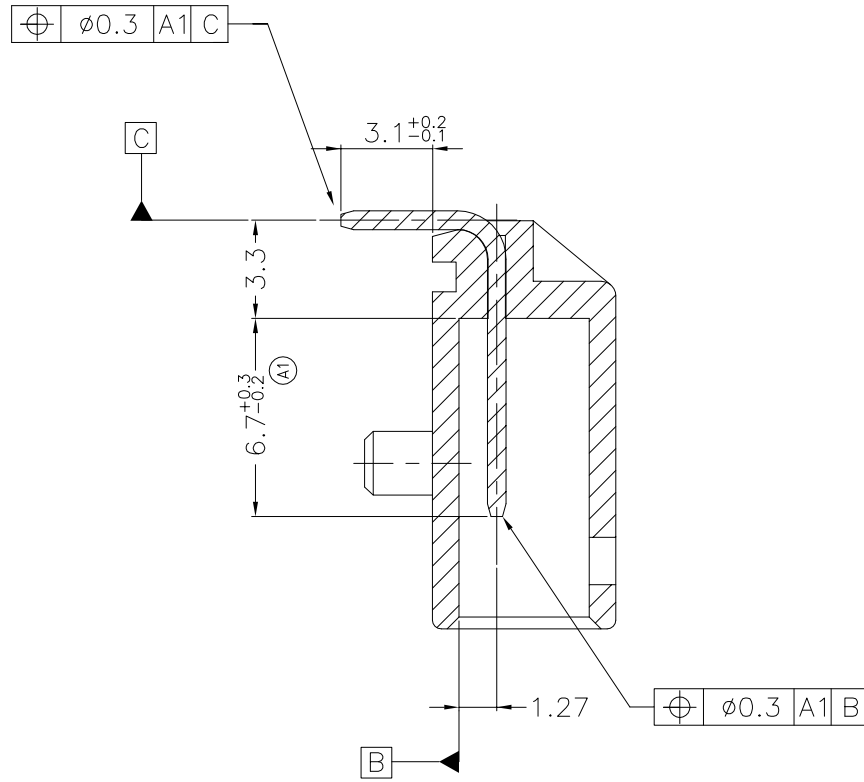
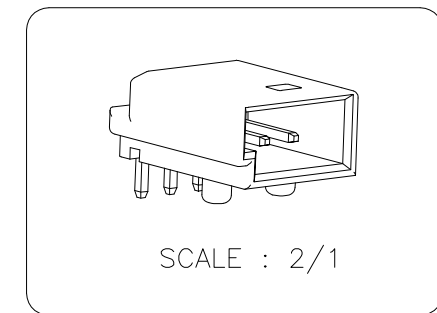
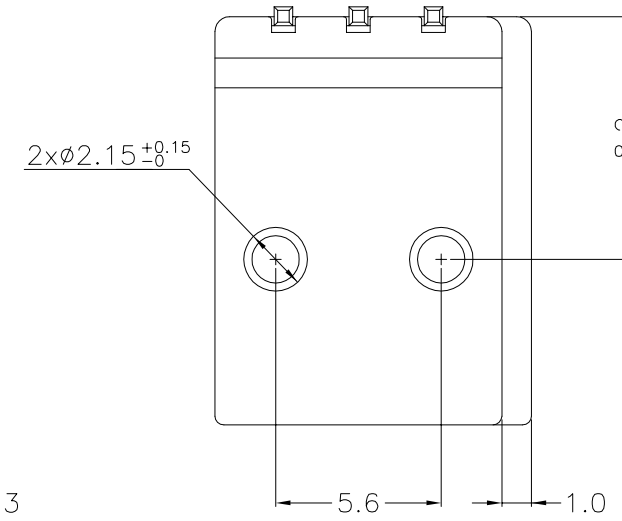
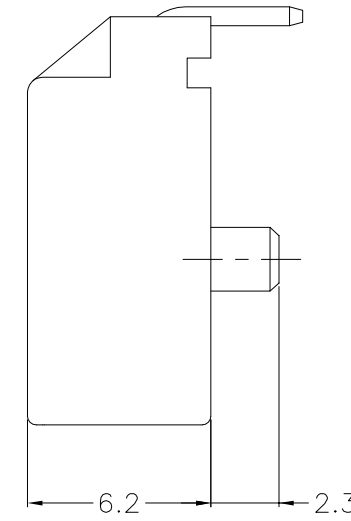
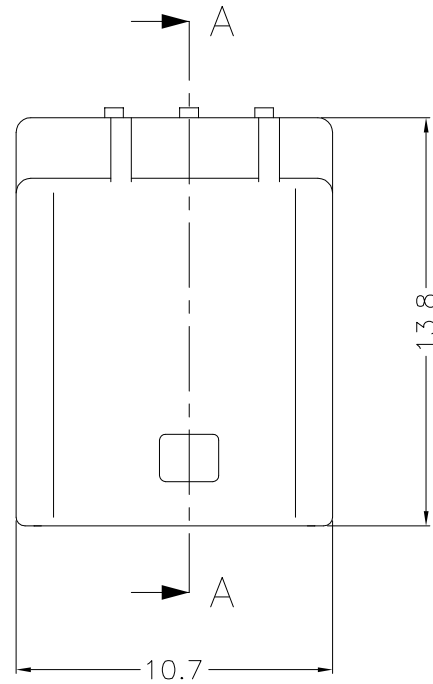


REVISIONS

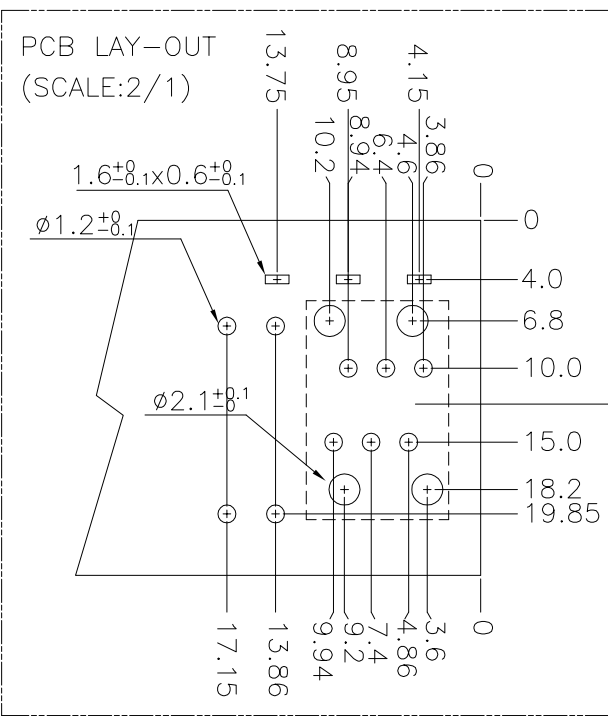
P	LTR	DESCRIPTION	DATE	DWN	APVD
	O	RELEASED (FC00-0101-99)	'99 8/SEP	YD	CS
	A	REVISED (ECR-09-023887)	02/NOV/'09	YM	HG
	A1	REVISED (ECR-15-001332)	28.JAN.'15	JM	HG



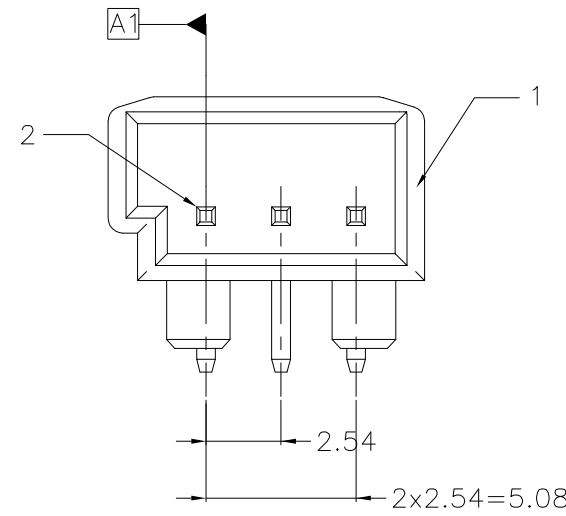
SECTION A-A



SCALE : 2/1



PIN HDR ASS'Y
INSERTION AREA



NOTE

- PULL-OUT FORCE OF THE CONTACT $\geq 25N$ WHEN $V=25mm/Min$
- BE MATED WITH PLUG HSG (P/NO: 965444-1) SMOOTHLY

ITEM	PART NO.	DESCRIPTION	MATERIAL	COLOR/FINISH	Q'TY
3	368314-1	063 CONTACT PIN FOR HLLD	BRONZE	TIN	3
2	368313-2	PIN HEADER HSG, 3POS, MQS	PBT-GF15	NATURE	1
1	368313-1	PIN HEADER HSG, 3POS, MQS	PBT-GF15	BLACK	1

<p>THIS DRAWING IS A CONTROLLED DOCUMENT FOR AMP INCORPORATED. IT IS SUBJECT TO CHANGE AND THE CONTROLLING ENGINEERING ORGANIZATION SHOULD BE CONTACTED FOR THE LATEST REVISION.</p>		<p>DWN JM JEON</p>			
<p>CHK JW JUNG</p>		<p>APVD HG CHO</p>			
<p>DIMENSIONS: MM</p>		<p>TOLERANCES UNLESS OTHERWISE SPECIFIED: 0<XX<10 ± 0.2 10<XX<30 ± 0.25 30<XX<100 ± 0.3 ANGLES ± 3°</p>		<p>NAME PIN HEADER ASS'Y, 3POS, MQS</p>	
<p>3rd ANGLE PROJECTION</p>		<p>PRODUCT SPEC 108-61038</p>		<p>SIZE A3</p>	
<p>MATERIAL</p>		<p>FINISH</p>		<p>CAGE CODE 00779</p>	
<p>WEIGHT 0.74g</p>		<p>APPLICATION SPEC 114-18021</p>		<p>DRAWING NO 3 6 8 3 1 2</p>	
				<p>SCALE 4/1 SHEET 1 OF 1 REV A1</p>	