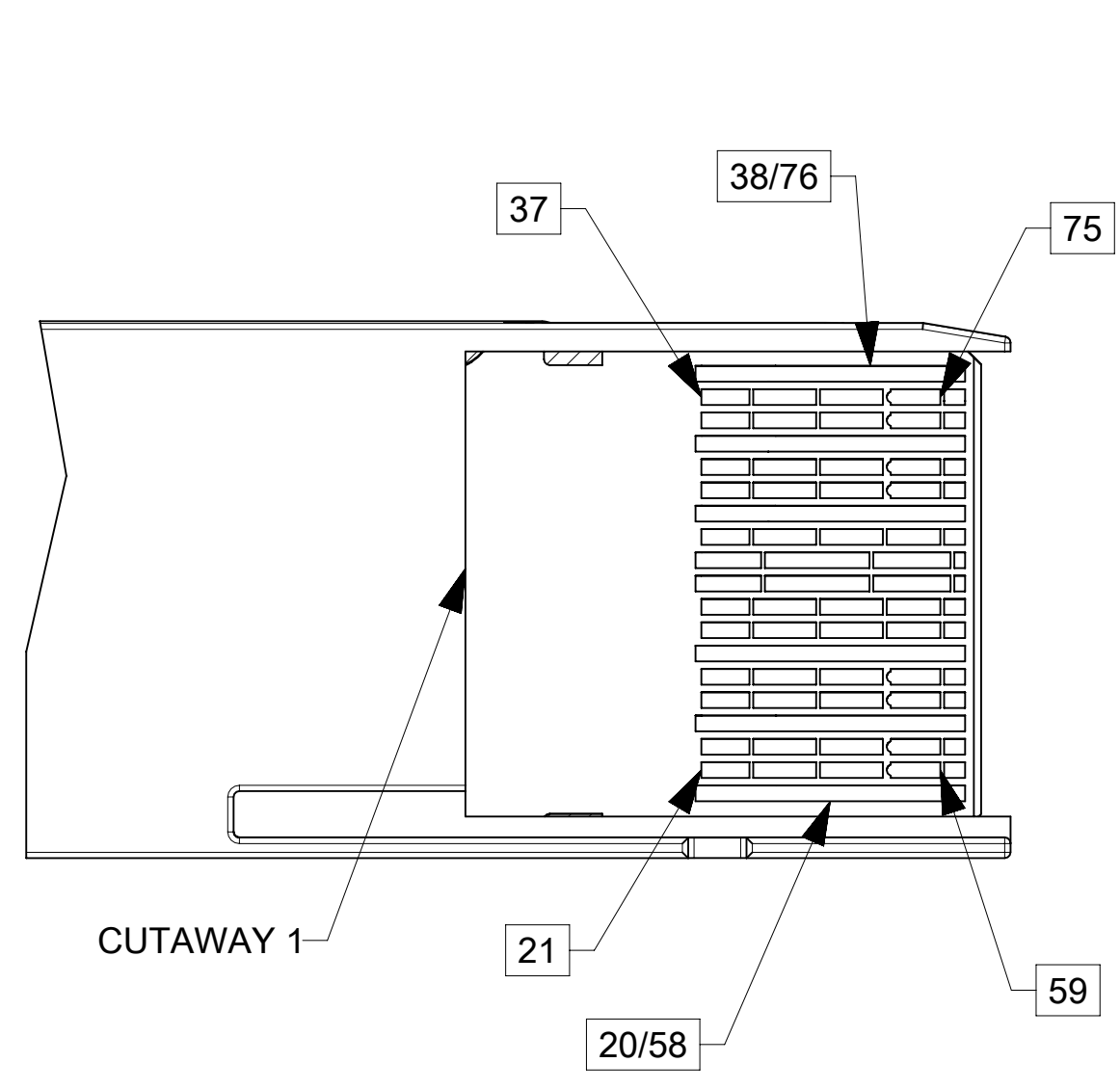


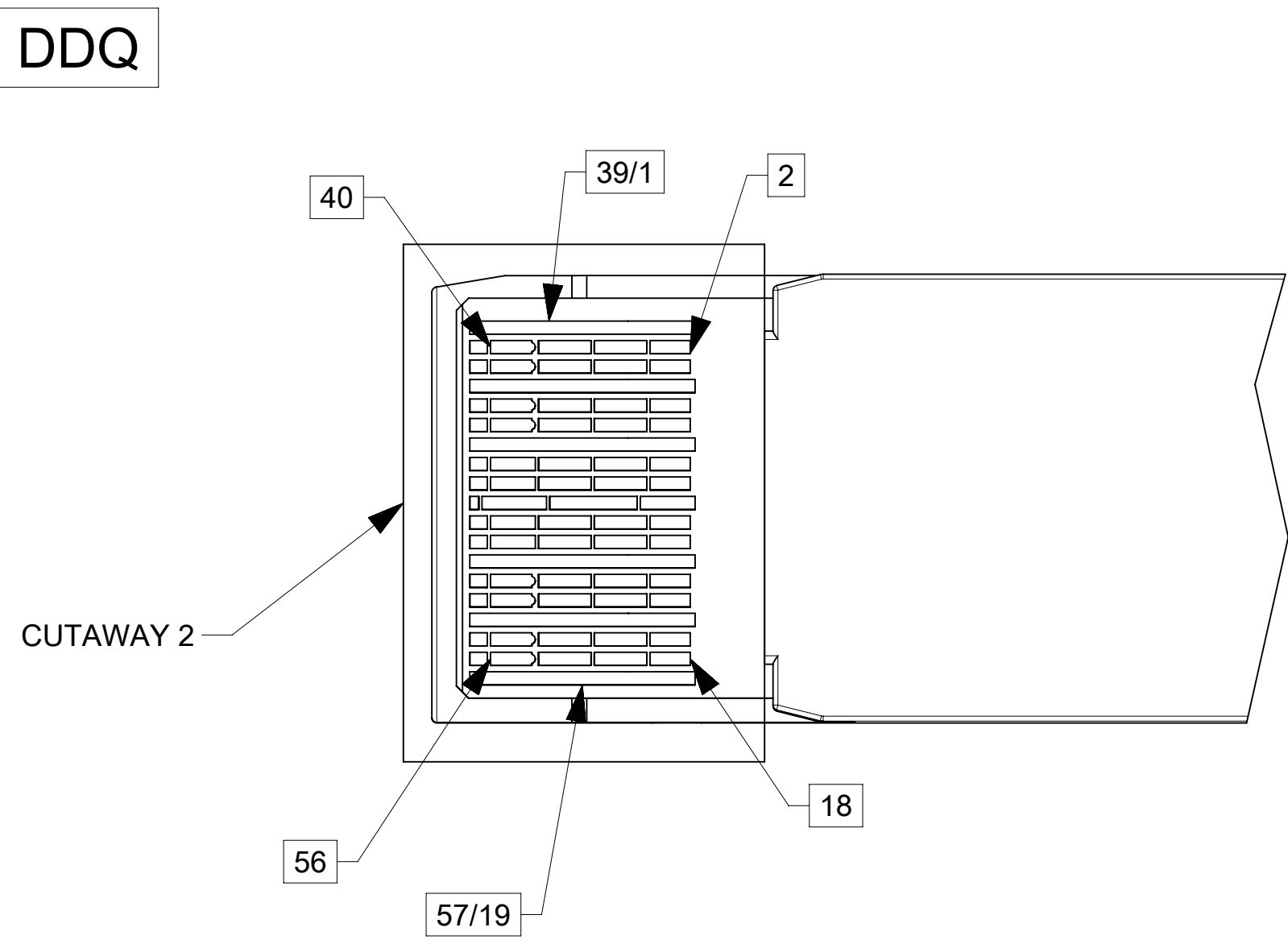
MOLEX P/N	LENGTH (M)	TOL. (MM)	AWG
2058561005	0.5	+/- 50	30
2058561010	1.0	+/- 50	30
2058561015	1.5	+/- 80	30
2058563005	0.5	+/- 50	28
2058563010	1.0	+/- 50	28
2058563015	1.5	+/- 80	28
2058563020	2.0	+/- 80	28
2058563025	2.5	+/- 80	28
2058563030	3.0	+/- 80	26

- NOTES:**
- MATERIALS**  
 BACKSHELLS - NICKEL PLATED ZINC  
 ZSFP END DE-LATCH - PLASTIC  
 DDQ END DE-LATCH - STAINLESS STEEL WITH OVERMOLDED NYLON  
 RIVETS - STAINLESS STEEL
  - EACH ASSEMBLY HAS A SERIAL ID
  - RoHS COMPLIANT, NO EXEMPTIONS.
  - CABLE LENGTH DEPENDS ON WIRE GAUGE, DATA RATE, AND HOST BOARD DRIVER CAPABILITIES
  - IMPEDANCE - 100 OHMS DIFFERENTIAL
  - CABLE IS UL RECOGNIZED PER UL AWM STYLE 21479
  - EEPROM MAP AVAILABLE UPON REQUEST

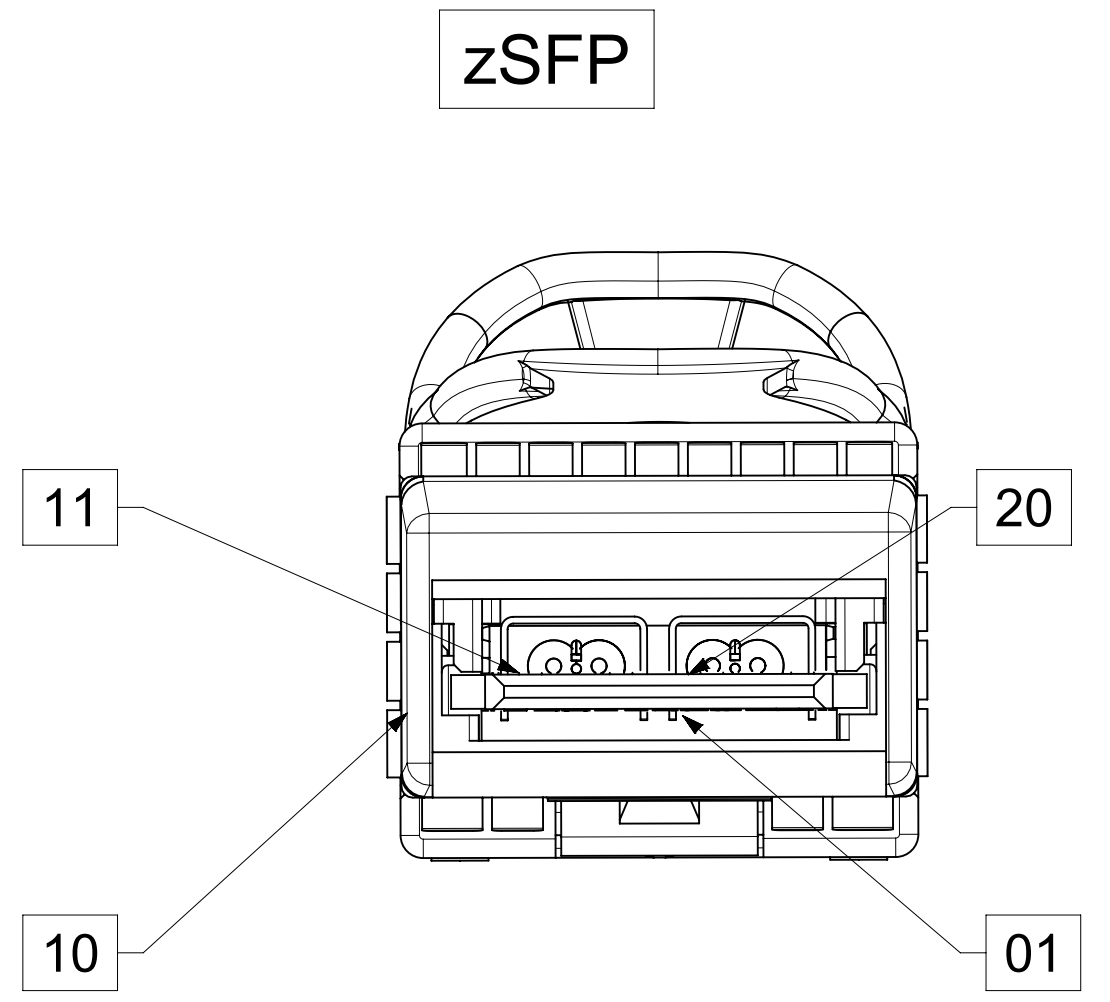
<b>FUNCTIONAL SYMBOLS</b> FA = 0 FC = 0 FP = 0 <b>DIVISIONAL SYMBOLS</b>	THIS DRAWING CONTAINS INFORMATION THAT IS PROPRIETARY TO MOLEX ELECTRONIC TECHNOLOGIES, LLC AND SHOULD NOT BE USED WITHOUT WRITTEN PERMISSION		<b>SCALE</b> 1:1.25		<b>CURRENT REV DESC:</b> SHT 2: UPDATED DDQ SIDE BEND RADIUS AND BEND SPACE VALUES										
	<b>GENERAL TOLERANCES (UNLESS SPECIFIED)</b>														
	<b>ANGULAR TOL</b> ± °		EC NO: 690921		DRWN: SKAMATHN 2022/01/05		CHK'D: ADITHK 2022/01/06		APPR: SCHANNARAYAN 2022/01/07		PRODUCT CUSTOMER DRAWING				
	4 PLACES ±		DRWN: ZDANDURAND 2017/10/25		APPR: ADTUCKER 2017/10/27		INITIAL REVISION:		DOCUMENT NUMBER <b>2058561005</b>		DOC TYPE PSD		DOC PART 000		REVISION <b>L4</b>
3 PLACES ±		MATERIAL NUMBER SEE P/N TABLE		DRAWING <b>D-SIZE</b>		SERIES <b>205856</b>		CUSTOMER GENERAL MARKET		SHEET NUMBER 1 OF 4					
2 PLACES ±		THIRD ANGLE PROJECTION				DRAFT WHERE APPLICABLE MUST REMAIN WITHIN DIMENSIONS		0 PLACES ±							



TOP VIEW

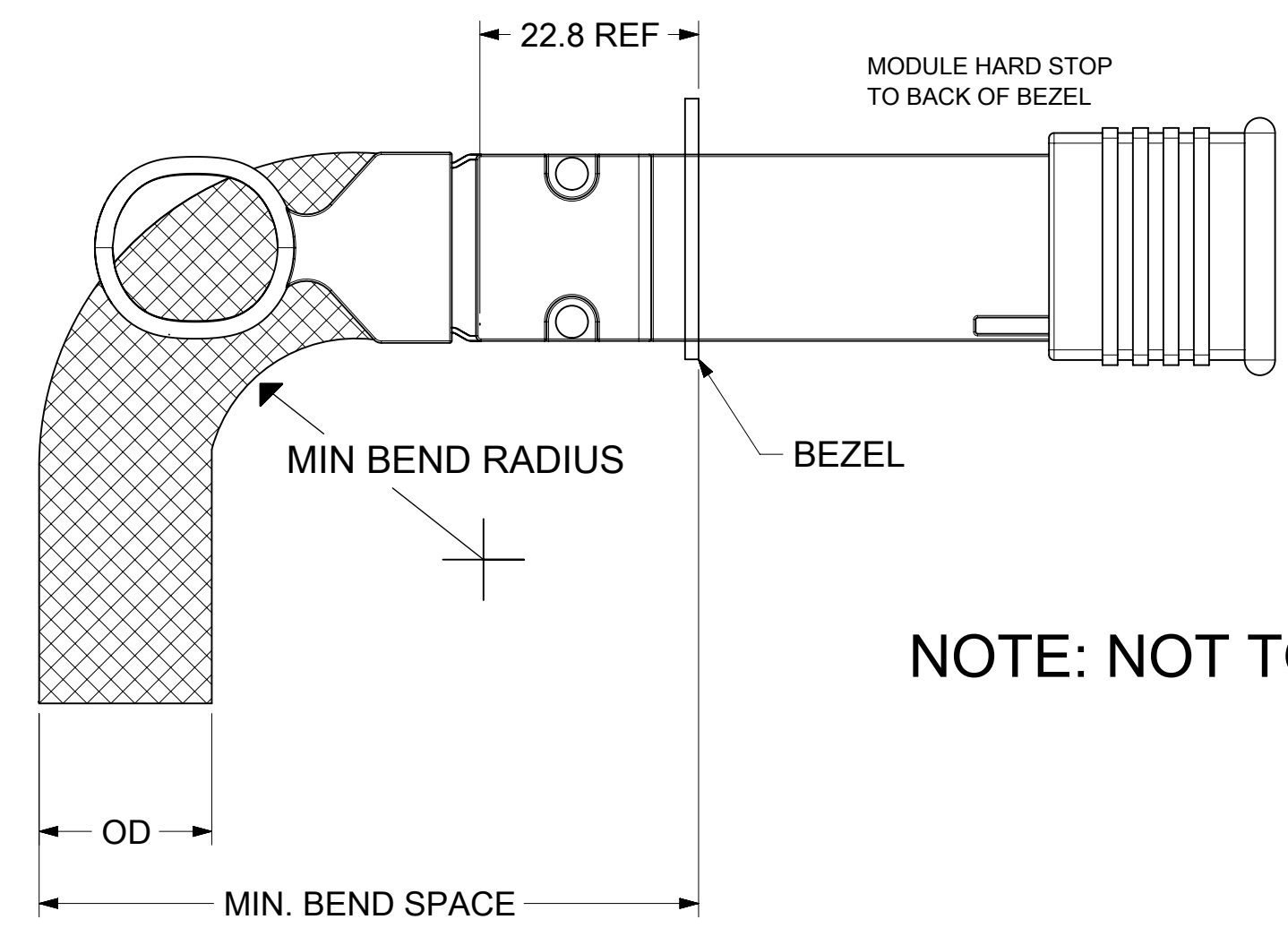


BOTTOM VIEW



zSFP

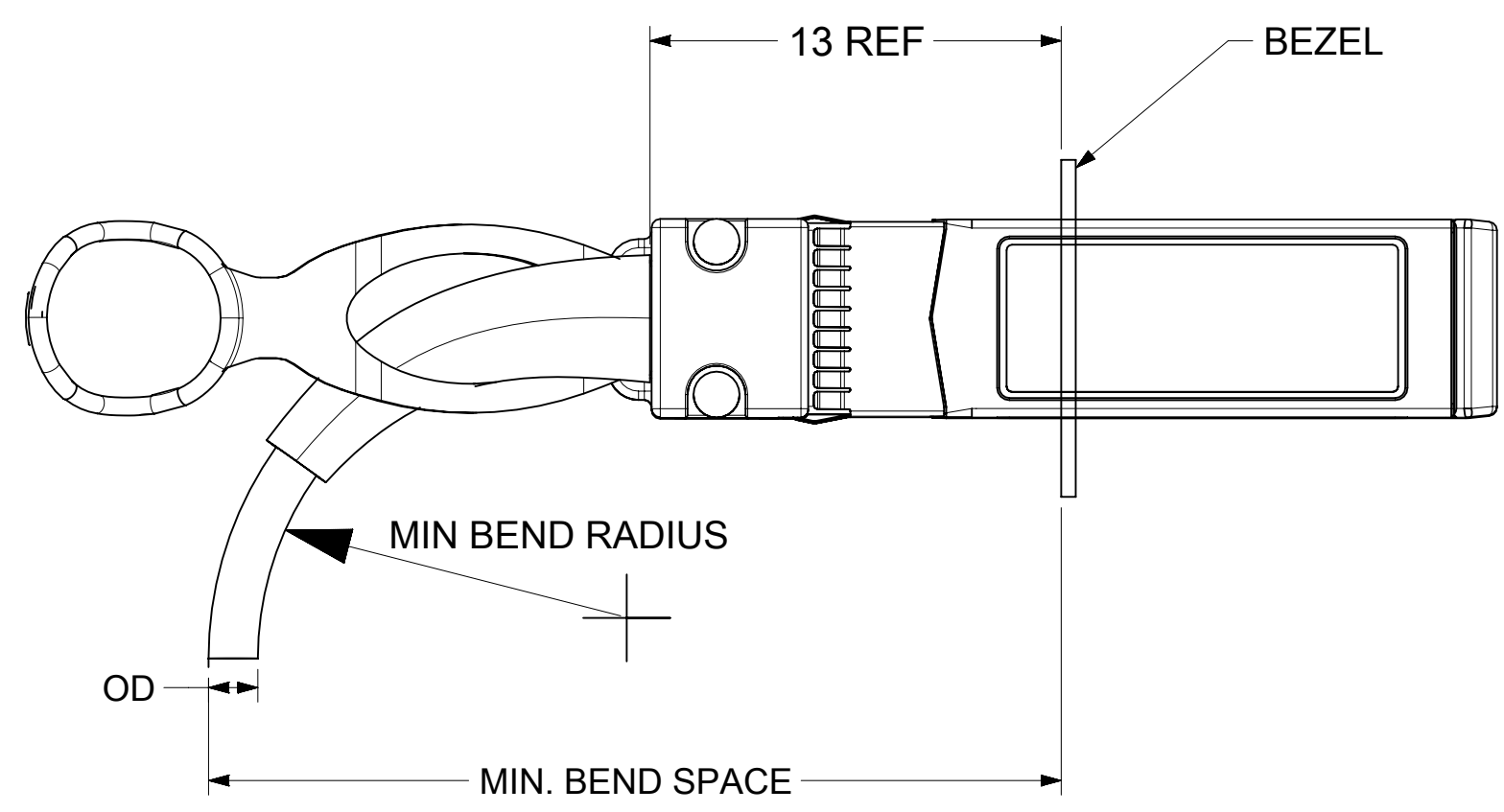
DDQ CABLE BEND RADIUS



NOTE: NOT TO SCALE

CABLE AWG	OD (mm)	MIN BEND RADIUS (mm)	MIN BEND SPACE (mm)
26	(13)	(65)	(101)
28	(11)	(55)	(89)
30	(9.4)	(45)	(77)

SFP28 CABLE BEND RADIUS



AWG	O.D. (mm)	MIN BEND RADIUS (mm)	MIN BEND SPACE (mm)
26	5.1	(26)	(44)
28	5.2	(26)	(45)
30	4.83	(24)	(42)

FUNCTIONAL SYMBOLS: FA=0, FC=0, FP=0

THIS DRAWING CONTAINS INFORMATION THAT IS PROPRIETARY TO MOLEX ELECTRONIC TECHNOLOGIES, LLC AND SHOULD NOT BE USED WITHOUT WRITTEN PERMISSION

DIMENSION UNITS: mm

SCALE: 2:1

GENERAL TOLERANCES (UNLESS SPECIFIED): 4 PLACES ±

ANGULAR TOL: ± °

CURRENT REV DESC: SHT 2: UPDATED DDQ SIDE BEND RADIUS AND BEND SPACE VALUES

EC NO: 690921

DRWN: SKAMATHN 2022/01/05

CHK'D: ADITHK 2022/01/06

APPR: SCHANNARAYAN 2022/01/07

INITIAL REVISION: DRWN: ZDANDURAND 2017/10/25

APPR: ADTUCKER 2017/10/27

DRAFT WHERE APPLICABLE MUST REMAIN WITHIN DIMENSIONS

THIRD ANGLE PROJECTION

DRAWING: D-SIZE

SERIES: 205856

MATERIAL NUMBER: SEE P/N TABLE

CUSTOMER: GENERAL MARKET

SHEET NUMBER: 2 OF 4

DOCUMENT NUMBER: 2058561005

DOC TYPE: PSD

DOC PART: 000

REVISION: L4

**molex**

QSFP-DD-8ZSFP 56G CABLE ASSEMBLY

PRODUCT CUSTOMER DRAWING

WIRING DIAGRAM						
PORT	DDQ END			zSFP END		PORT
	Pad	Signal		Pad	Signal	
1	35	GND	----		GND	2
	36	TX1p	--->	13	RD+	
	37	TX1n	--->	12	RD-	
	16	GND	----		GND	
	17	RX1p	<---	18	TD+	
	18	RX1n	<---	19	TD-	
	1	GND	----		GND	3
	2	TX2n	--->	12	RD-	
	3	TX2p	--->	13	RD+	
	20	GND	----		GND	
	21	RX2n	<---	19	TD-	
	22	RX2p	<---	18	TD+	
	32	GND	----		GND	4
	33	TX3p	--->	13	RD+	
	34	TX3n	--->	12	RD-	
	13	GND	----		GND	
	14	RX3p	<---	18	TD+	
	15	RX3n	<---	19	TD-	
	4	GND	----		GND	5
	5	TX4n	--->	12	RD-	
6	TX4p	--->	13	RD+		
23	GND	----		GND		
24	RX4n	<---	19	TD-		
25	RX4p	<---	18	TD+		
7	GND	----		GND		
19	GND	----		GND		
26	GND	----		GND		
38	GND	----		GND		

WIRING DIAGRAM						
PORT	DDQ END			zSFP END		PORT
	Pad	Signal		Pad	Signal	
1	73	GND	----		GND	6
	74	TX5p	--->	13	RD+	
	75	TX5n	--->	12	RD-	
	54	GND	----		GND	
	55	RX5p	<---	18	TD+	
	56	RX5n	<---	19	TD-	
	39	GND	----		GND	7
	40	TX6n	--->	12	RD-	
	41	TX6p	--->	13	RD+	
	58	GND	----		GND	
	59	RX6n	<---	19	TD-	
	60	RX6p	<---	18	TD+	
	70	GND	----		GND	8
	71	TX7p	--->	13	RD+	
	72	TX7n	--->	12	RD-	
	51	GND	----		GND	
	52	RX7p	<---	18	TD+	
	53	RX7n	<---	19	TD-	
	42	GND	----		GND	9
	43	TX8n	--->	12	RD-	
44	TX8p	--->	13	RD+		
61	GND	----		GND		
62	RX8n	<---	19	TD-		
63	RX8p	<---	18	TD+		
45	GND	----		GND		
57	GND	----		GND		
64	GND	----		GND		
76	GND	----		GND		

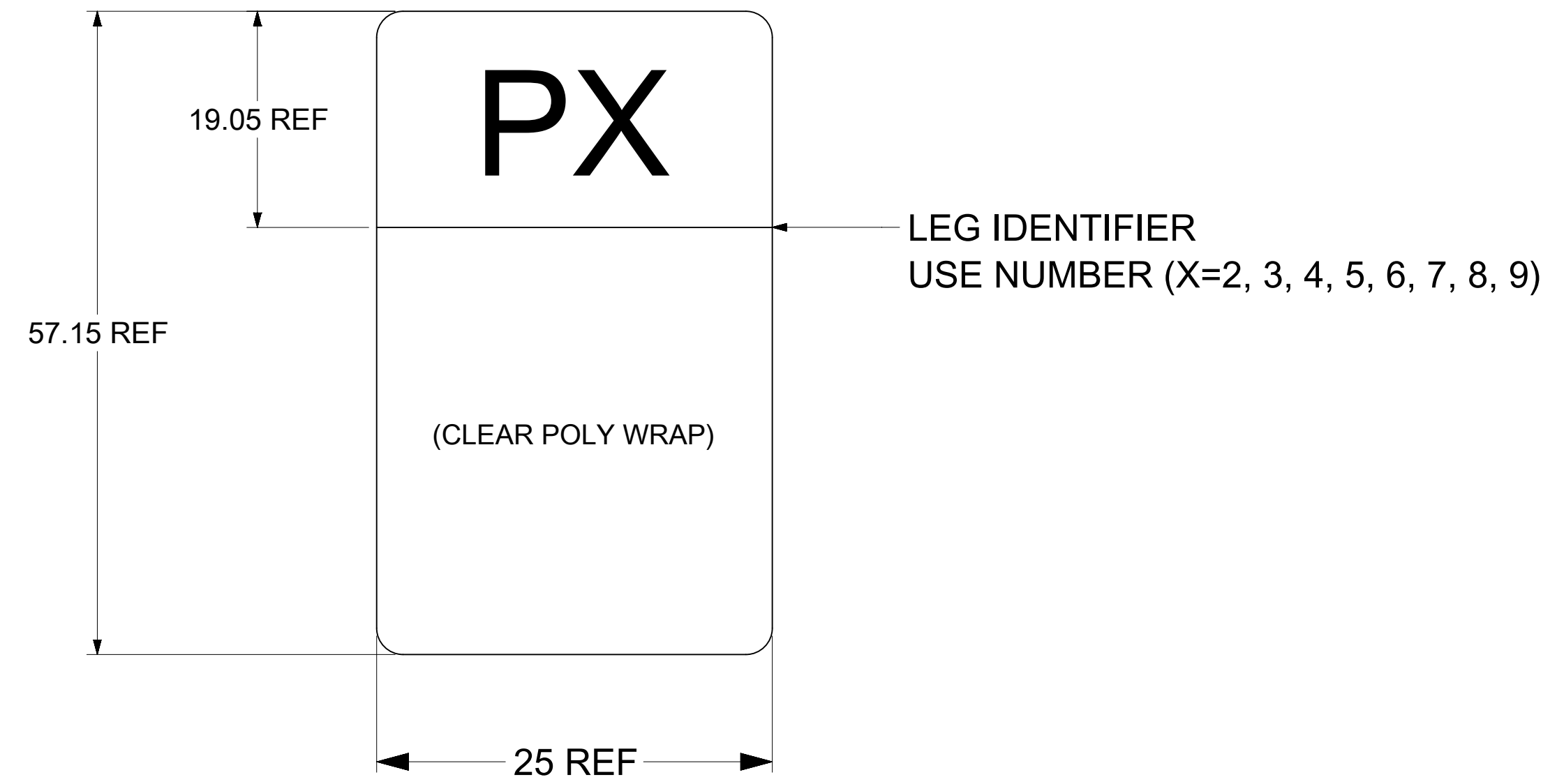
**LEGEND:**

---- = DRAIN LINES

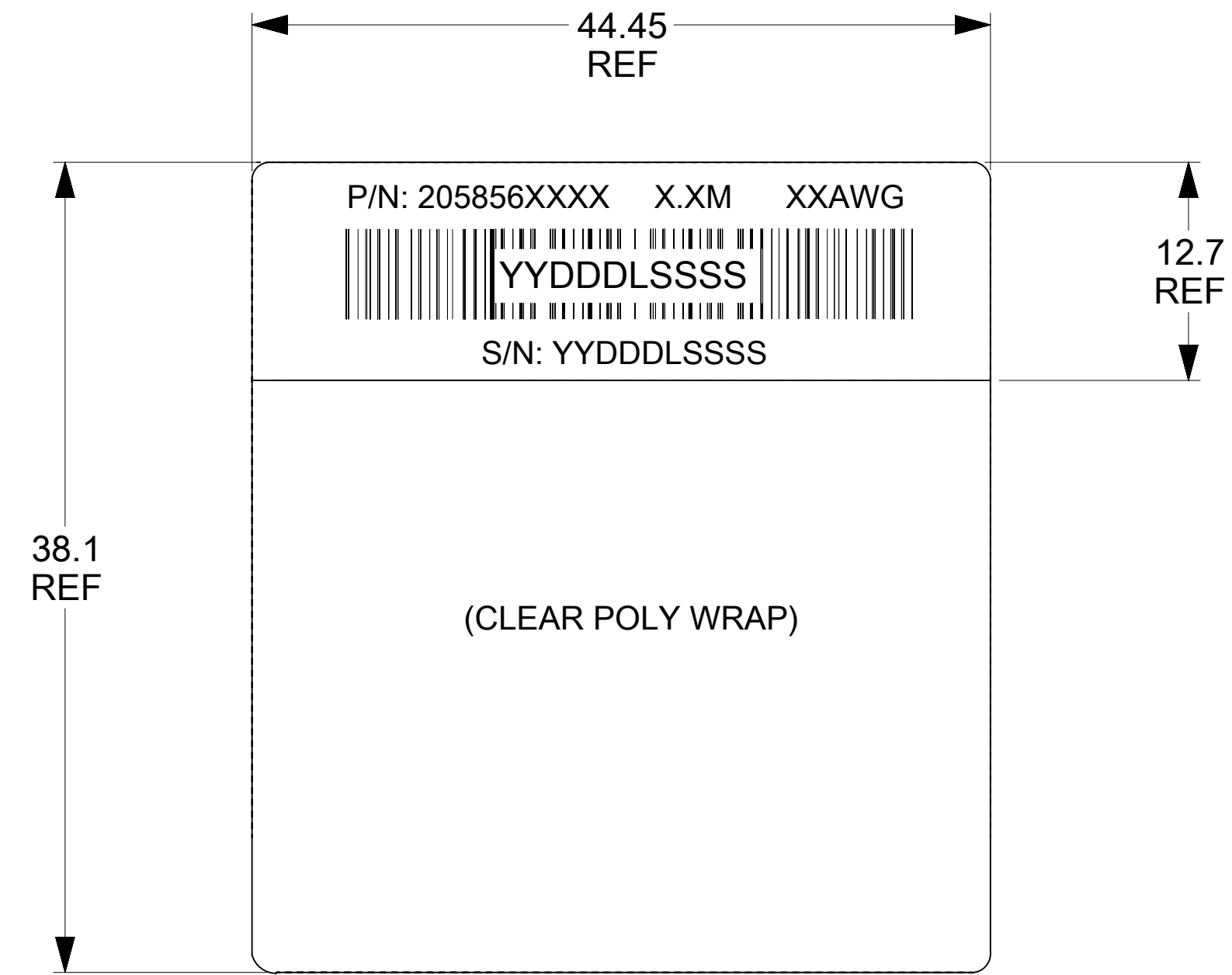
---> = TRANSMIT TO RECEIVE ON HIGH SPEED CIRCUITS

<b>FUNCTIONAL SYMBOLS</b> FA = 0 FC = 0 FP = 0 <b>DIVISIONAL SYMBOLS</b>	THIS DRAWING CONTAINS INFORMATION THAT IS PROPRIETARY TO MOLEX ELECTRONIC TECHNOLOGIES, LLC AND SHOULD NOT BE USED WITHOUT WRITTEN PERMISSION		CURRENT REV DESC: SHT 2: UPDATED DDQ SIDE BEND RADIUS AND BEND SPACE VALUES				
	DIMENSION UNITS <b>mm</b>	SCALE <b>1:1</b>	GENERAL TOLERANCES (UNLESS SPECIFIED) ANGULAR TOL ± °				EC NO: 690921 DRWN: SKAMATHN 2022/01/05 CHK'D: ADITHK 2022/01/06 APPR: SCHANNARAYAN 2022/01/07
	DRAFT WHERE APPLICABLE MUST REMAIN WITHIN DIMENSIONS		THIRD ANGLE PROJECTION 	DRAWING <b>D-SIZE</b>	SERIES <b>205856</b>	MATERIAL NUMBER <b>2058561005</b>	CUSTOMER <b>GENERAL MARKET</b>
	DOCUMENT STATUS P1 RELEASE DATE 2022/01/07 04:10:22		INITIAL REVISION: DRWN: ZDANDURAND 2017/10/25 APPR: ADTUCKER 2017/10/27		DOCUMENT NUMBER <b>2058561005</b>	DOC TYPE <b>PSD</b>	DOC PART <b>000</b>
SHEET NUMBER <b>3 OF 4</b>		SEE P/N TABLE		PRODUCT CUSTOMER DRAWING		QSF-P-DD-8ZSFP 56G CABLE ASSEMBLY	

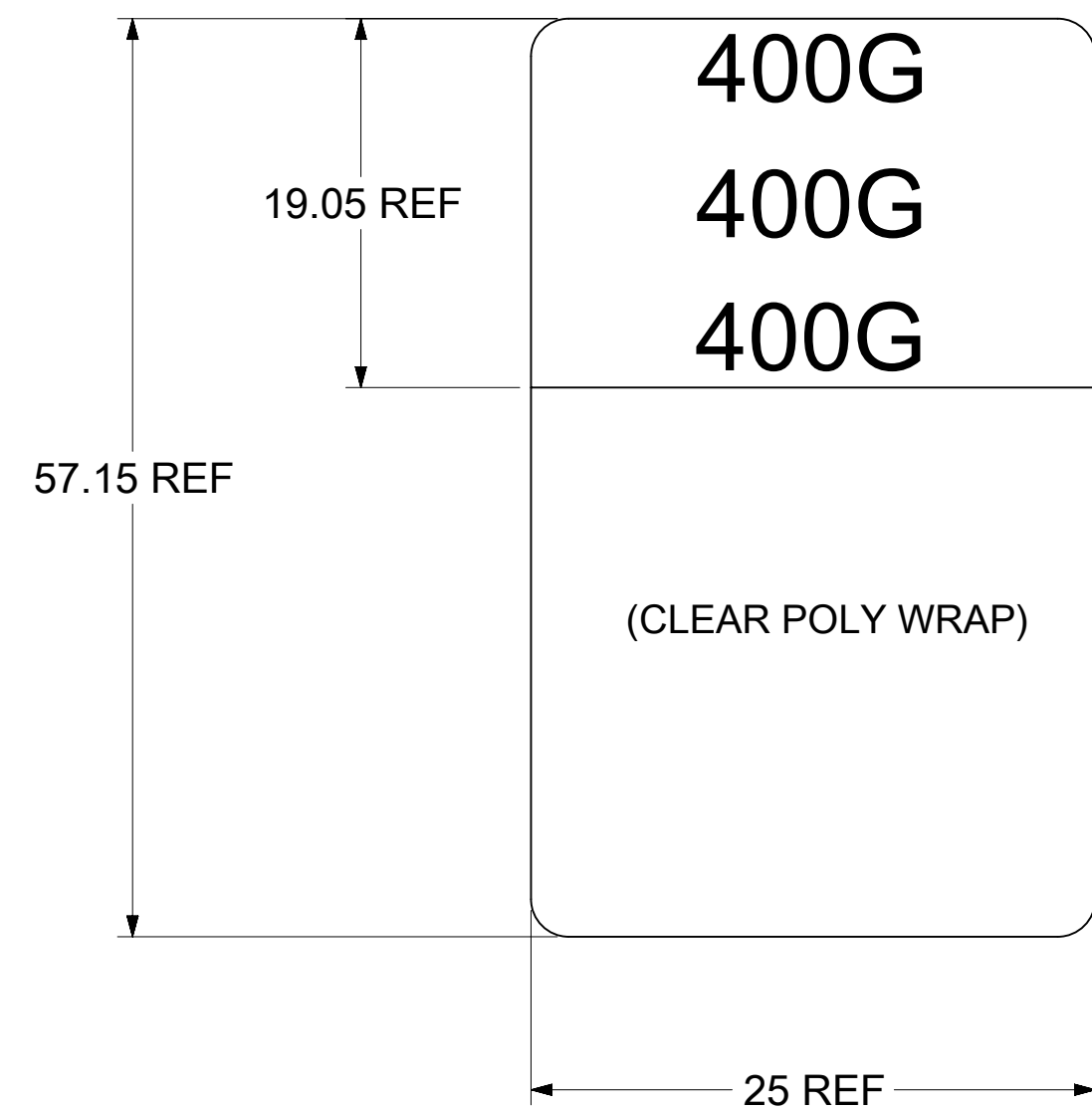
**LEG ID LABEL**



**LABEL DETAILS**



**SPEED LABEL**



P/N: 205856XXXX - MOLEX PART NUMBER (SEE P/N TABLE)

- X.XM - CABLE LENGTH IN METERS (EXAMPLES - 0.5M, 1.0M)
- XXAWG - CABLE SIZE IN AWG (SEE P/N TABLE)
- S/N: YYDDDLSSSS - SERIAL NUMBER
- YY - YEAR, THE LAST 2 DIGITS OF YEAR
- DDD - DAY OF THE YEAR
- L - LOCATION
- 1 - USA
- 2 - MEXICO
- 3 - CHINA
- 4 - PHILIPPINES
- SSSS - SERIAL NUMBER (0001-9999)

FUNCTIONAL SYMBOLS $F_A = 0$ $F_C = 0$ $F_P = 0$	THIS DRAWING CONTAINS INFORMATION THAT IS PROPRIETARY TO MOLEX ELECTRONIC TECHNOLOGIES, LLC AND SHOULD NOT BE USED WITHOUT WRITTEN PERMISSION		CURRENT REV DESC: SHT 2: UPDATED DDQ SIDE BEND RADIUS AND BEND SPACE VALUES		
	DIMENSION UNITS	SCALE	EC NO: 690921		
	mm	1:1	DRWN: SKAMATHN 2022/01/05		
	GENERAL TOLERANCES (UNLESS SPECIFIED)		CHK'D: ADITHK 2022/01/06		
DIVISIONAL SYMBOLS	ANGULAR TOL ± °		APPR: SCHANNARAYAN 2022/01/07		PRODUCT CUSTOMER DRAWING DOCUMENT NUMBER: 2058561005 DOC TYPE: PSD DOC PART: 000 REVISION: L4
	4 PLACES ±		INITIAL REVISION:		
	3 PLACES ±		DRWN: ZDANDURAND 2017/10/25		
	2 PLACES ±		APPR: ADTUCKER 2017/10/27		
1 PLACE ±		SERIES: 205856		MATERIAL NUMBER: SEE P/N TABLE CUSTOMER: GENERAL MARKET SHEET NUMBER: 4 OF 4	
0 PLACES ±		DRAWING: D-SIZE			
DRAFT WHERE APPLICABLE MUST REMAIN WITHIN DIMENSIONS		THIRD ANGLE PROJECTION			