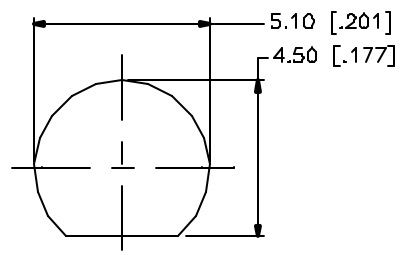
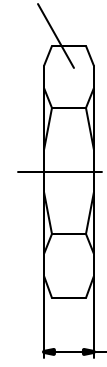


REV.	DATE	DESCRIPTION
A	03/27/05	UPDATE DRAWING FORMAT

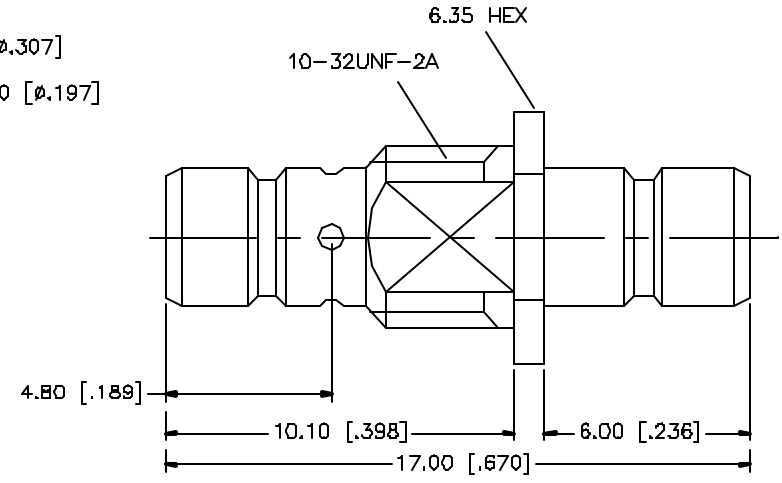
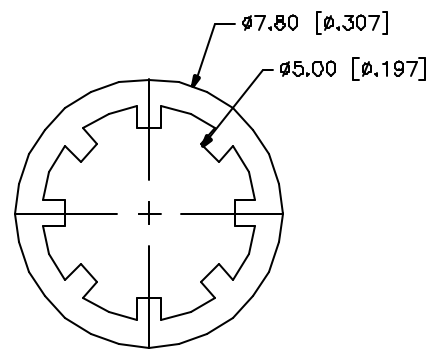


RECOMMENDED MOUNTING HOLE

6.35 HEX NUT



1.50 [.059]



DESCRIPTION	MATERIAL	FINISH	QTY
CONTACT PIN	BRASS	GOLD	1
INSULATOR	TEFLON	NATURAL	1
BODY	BRASS	GOLD	1

UNLESS OTHERWISE SPECIFIED DIMENSIONS ARE IN MILLIMETERS DIMENSIONS IN [ ] ARE IN INCHES AND FOR CUSTOMER REFERENCE ONLY.

UNLESS OTHERWISE SPECIFIED TOLERANCES FOR MILLIMETERS ARE:  
0.5 - 8mm ± 0.20mm  
8 - 30mm ± 0.40mm  
30 - 120mm ± 0.50mm

UNLESS OTHERWISE SPECIFIED TOLERANCES FOR INCHES ARE:  
.020 - .315 = ± 0.007"  
.315 - 1.180 = ± 0.015"  
1.180 - 4.724 = ± 0.020"

DO NOT SCALE DRAWING

APPROVALS	DATE
DRAWN G.R.S.	03/27/05
CHECKED	
ISSUED	
SHEET 1 OF 1	
CAD FILE	C:/142/142250.DWG

**Amphenol Connex**

PART DESCRIPTION  
**SMB BULKHEAD JACK TO JACK ADAPTER**

PART NO.  
**142250**

DWG. NO.	142250.DWG	REV.	A	SIZE	A	SCALE	NA
----------	------------	------	---	------	---	-------	----