

## Panel mounting frames - CUC-V14-F1ZNI-EM/R40 - 1413963


Please be informed that the data shown in this PDF Document is generated from our Online Catalog. Please find the complete data in the user's documentation. Our General Terms of Use for Downloads are valid (<http://phoenixcontact.com/download>)



RJ45 panel mounting frame, IP67, for push-pull interlocking, metal, for PCB connection, for square panel cutout, with grommet and mounting screws



### Key Commercial Data

Packing unit	1 pc
GTIN	 4 055626 082202
GTIN	4055626082202

### Technical data

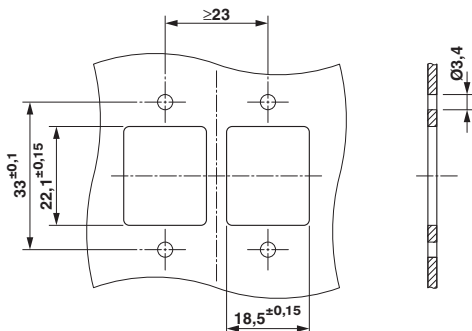
#### Environmental Product Compliance

China RoHS	Environmentally friendly use period: unlimited = EFUP-e
	No hazardous substances above threshold values

### Drawings

# Panel mounting frames - CUC-V14-F1ZNI-EM/R40 - 1413963

Drilling diagram



Dimensional drawing



## Classifications

### eCl@ss

eCl@ss 10.0.1	27440210
eCl@ss 11.0	27440210
eCl@ss 4.0	272607xx
eCl@ss 4.1	27260701
eCl@ss 5.0	27260701
eCl@ss 5.1	27260701
eCl@ss 6.0	27261200
eCl@ss 7.0	27440210
eCl@ss 9.0	27440210

### ETIM

ETIM 3.0	EC002310
ETIM 4.0	EC002310
ETIM 6.0	EC002310
ETIM 7.0	EC002310

### UNSPSC

UNSPSC 6.01	31261501
UNSPSC 7.0901	31261501
UNSPSC 11	31261501
UNSPSC 12.01	31261501
UNSPSC 13.2	31261501
UNSPSC 18.0	39121421

# Panel mounting frames - CUC-V14-F1ZNI-EM/R40 - 1413963

## Classifications

### UNSPSC

UNSPSC 19.0	39121421
UNSPSC 20.0	39121421
UNSPSC 21.0	39121421

## Accessories

### Accessories

#### Data plug

RJ45 connector - CUC-V14-C1ZNI-S/R4P8 - 1422664



Push-pull connector (version 14), die-cast zinc, with RJ45 connector insert, 8-pos., with IDC fast connection technology, for 1 and 7-wire cores, 23 ... 22 AWG, for cable diameter of 5.5 mm ... 10 mm

RJ45 connector - CUC-V14-C1ZNI-B/R4P8 - 1422665



Push-pull connector (version 14), die-cast zinc, with RJ45 connector insert, 8-pos., with IDC fast connection technology, for 1 and 7-wire cores, 23 ... 22 AWG, for cable diameter of 5.5 mm ... 10 mm

RJ45 connector - CUC-V14-C1ZNI-T/R4P8 - 1422667



Push-pull connector (version 14), die-cast zinc, with RJ45 connector insert, 8-pos., with IDC fast connection technology, for 1 and 7-wire cores, 23 ... 22 AWG, for cable diameter of 5.5 mm ... 10 mm

### Female insert

RJ45 PCB connectors - VS-08-BU-RJ45-10G/LH-1 - 1420401



RJ45 socket insert, for PCB assembly, CAT6<sub>A</sub>, 8-pos., shielded, with angled solder pins, 1x

## Panel mounting frame

## Panel mounting frames - CUC-V14-F1ZNI-EM/R40 - 1413963

### Accessories

Screw set - CUC-V14-A-SCREW-M3:20 - 1413987



Screw set, M3 for panel mounting frames

---

Protective covers - CUC-V14-A1PBK-PC - 1413970



Protective covers, degree of protection: IP65/IP67

---

Protective covers - CUC-V14-A1RBK-PC - 1413985



Protective covers, degree of protection: IP65/IP67

---

Panel mounting frames - CUC-V14-A1ZNI-R45 - 1413988



45° adapter for panel mounting frames

---

Panel mounting frames - CUC-V14-A1ZNI-S180 - 1413989



Spacer for panel mounting frames

---

## Panel mounting frames - CUC-V14-F1ZNI-EM/R40 - 1413963

### Accessories

Strain relief - CUC-V14-A3ST-SR - 1413990



Strain relief, degree of protection: IP65/IP67, material: Stainless steel

---

Panel mounting frames - CUC-V14-A1PBK-BA:50 - 1413979



Holder for marking element

---

Phoenix Contact 2021 © - all rights reserved  
<http://www.phoenixcontact.com>

PHOENIX CONTACT GmbH & Co. KG  
Flachsmarktstr. 8  
32825 Blomberg  
Germany  
Tel. +49 5235 300  
Fax +49 5235 3 41200  
<http://www.phoenixcontact.com>