

TECHNICAL DATA:

VOLTAGE RATING : 30A AC/DC
 AMPERE RATING : 2A

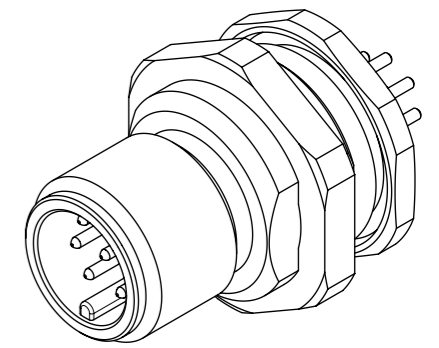
PROTECTION CLASS : IP 67 (IN MATED CONDITION)
 SHELL TO ENCLOSURE
 IP 67 (WHEN PROPERLY INSTALLED)

OPERATING TEMP. : -25°C TO +85°C

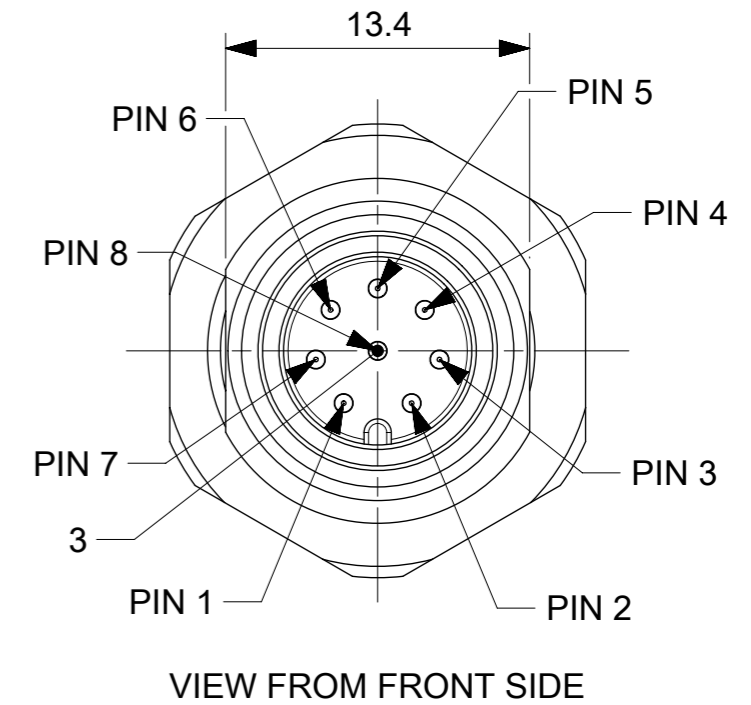
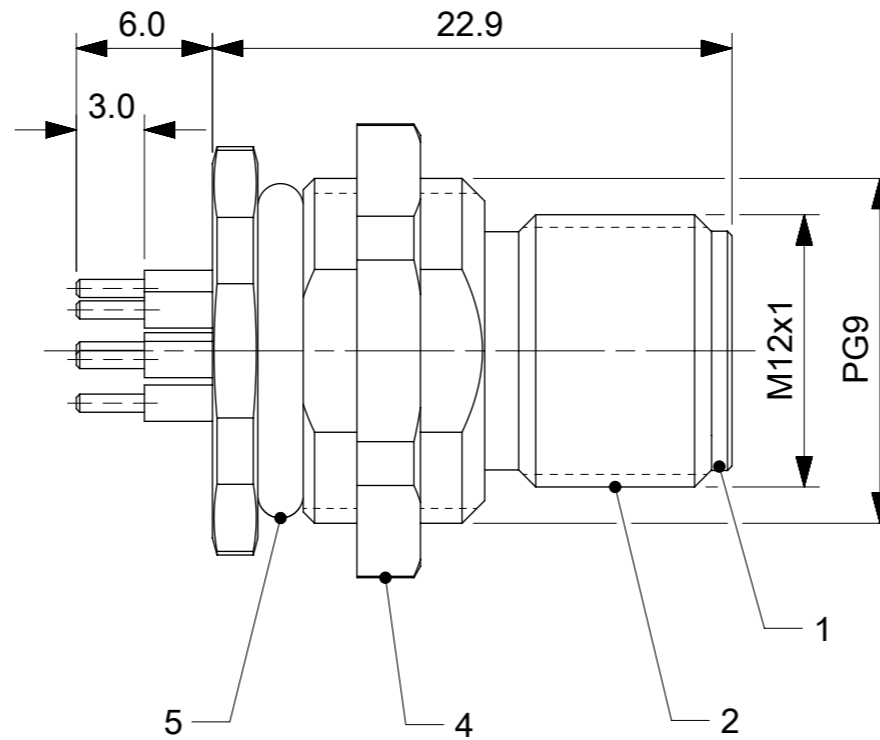
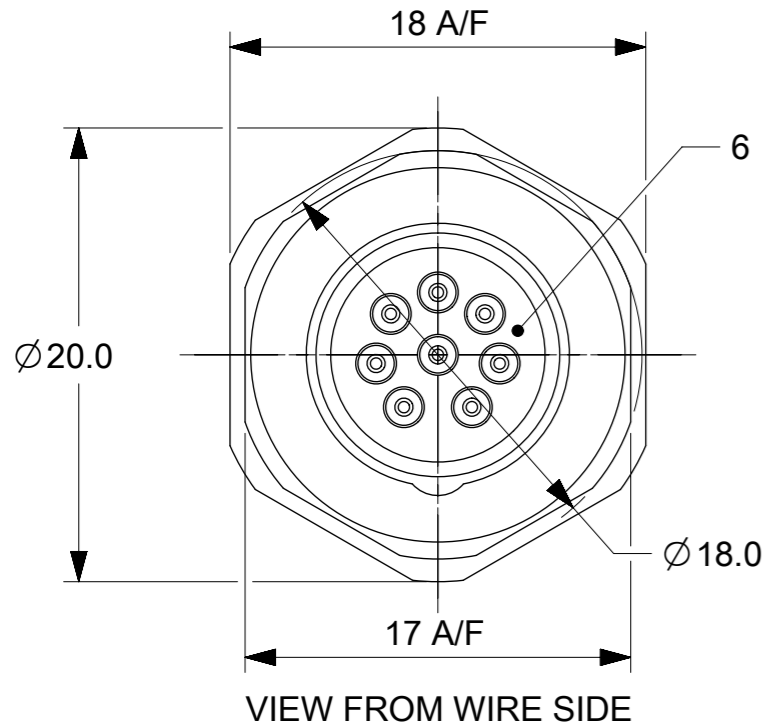
ENGINEERING NO. - NUMERICAL CODE

8 R 8 J 4 6 0 0 0

8R = Receptacle M12 Poles: 8 = 8 Poles MALE CONTACT MALE THREAD M12 PG 9 MOUNTING THREAD Wires type: 000 - No Wires

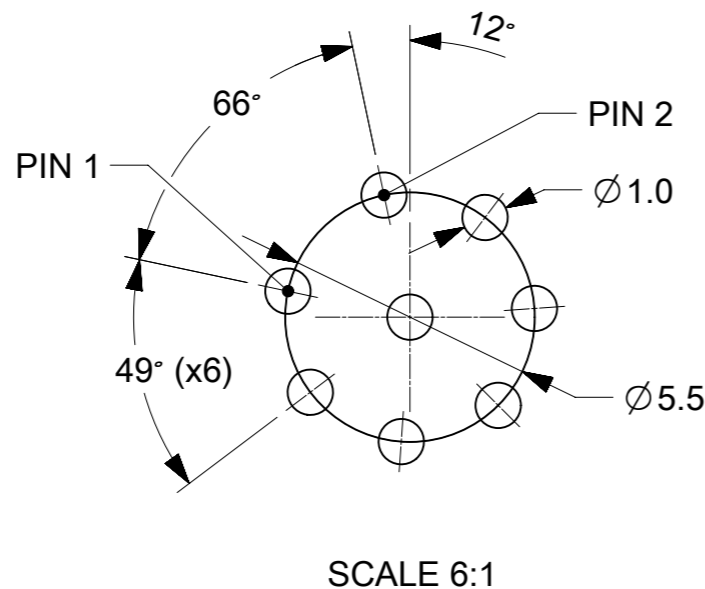
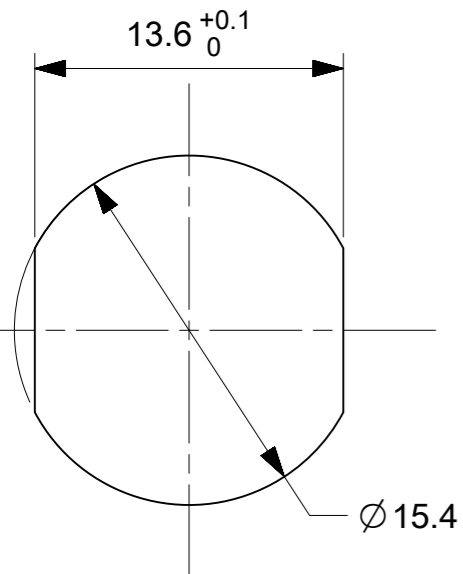


SCALE 2:1



PANEL CUTOUT

DRILL LAYOUT BACKSIDE



BOM

ITEM	QTY.	DESCRIPTION	MATERIAL	FINISH
1	1	M12 MALE INSERT	PUR	BLACK
2	1	M12 REC. SHELL MALE	BRASS	Ni-PLATED
3	8	MALE CONTACT	BRASS	GOLD OVER Ni-PLATED
4	1	LOCKNUT PG9	BRASS	Ni-PLATED
5	1	O-RING	NBR	BLACK
6	-	POTTING MATERIAL	RESIN	-

THIS DRAWING CONTAINS INFORMATION THAT IS PROPRIETARY TO MOLEX ELECTRONIC TECHNOLOGIES, LLC AND SHOULD NOT BE USED WITHOUT WRITTEN PERMISSION

SYMBOLS DIMENSION UNITS: mm SCALE: 3:1 GENERAL TOLERANCES (UNLESS SPECIFIED): ANGULAR TOL ± 1.0° 4 PLACES ± 3 PLACES ± 2 PLACES ± 0.05 1 PLACE ± 0.1 0 PLACES ± DRAFT WHERE APPLICABLE MUST REMAIN WITHIN DIMENSIONS	CURRENT REV DESC:		
	EC NO: 177725 DRWN: SSM 2018/05/30 CHK'D: SSM 2018/06/06 APPR: THAERDT 2018/06/06		
INITIAL REVISION:			PRODUCT CUSTOMER DRAWING
DRWN: SSM 2018/05/30 APPR: THAERDT 2018/06/06			DOCUMENT NUMBER: 1200705180
THIRD ANGLE PROJECTION			DOC TYPE: PSD
DRAWING: A3-SIZE			DOC PART: 000
SERIES: 120070			REVISION: A
MATERIAL NUMBER: SEE TABLE 1			CUSTOMER: GENERAL MARKET
SHEET NUMBER: 1 OF 1			

TABLE 1

MOLEX P/N	ENGINEERING No.
1200705180	8R8J46000