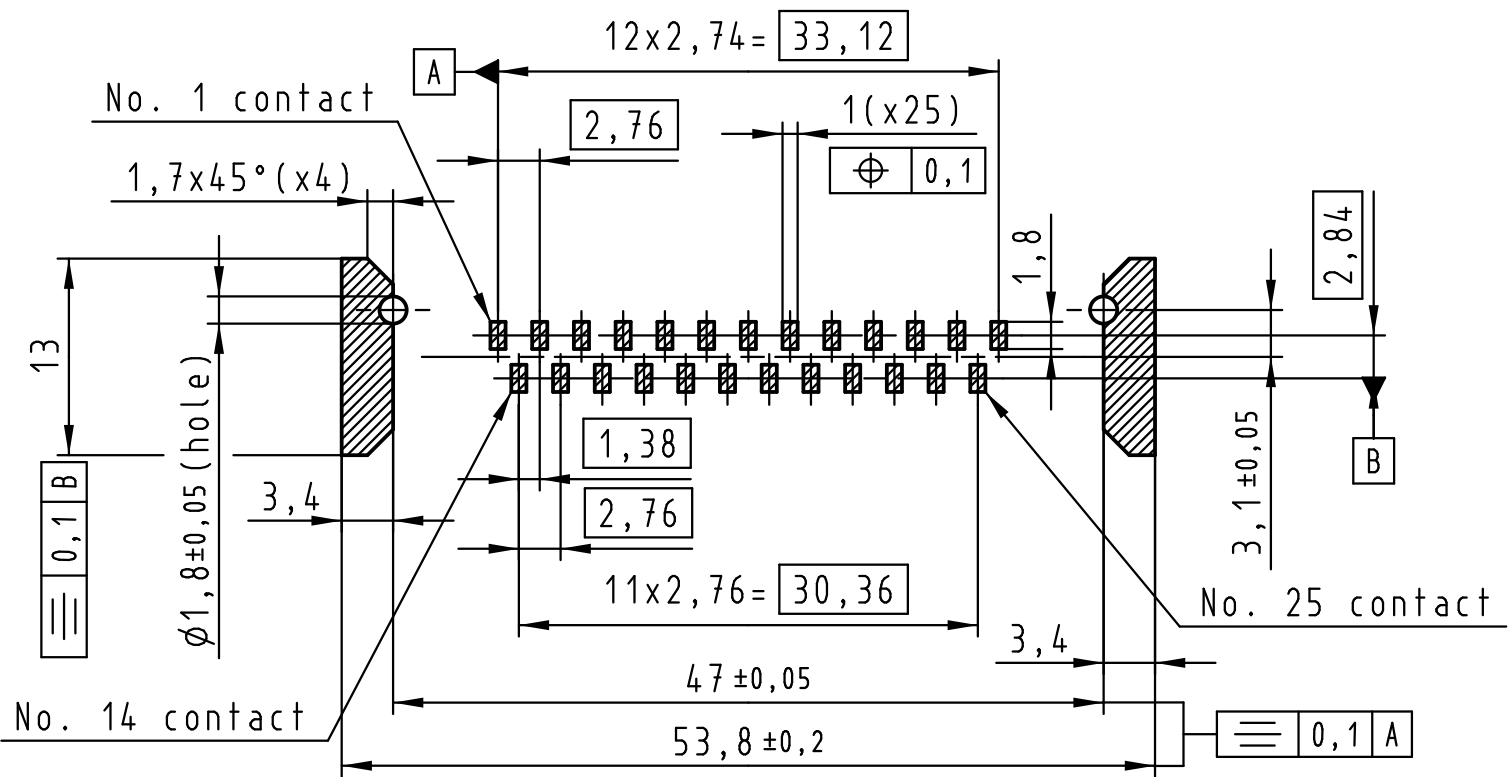
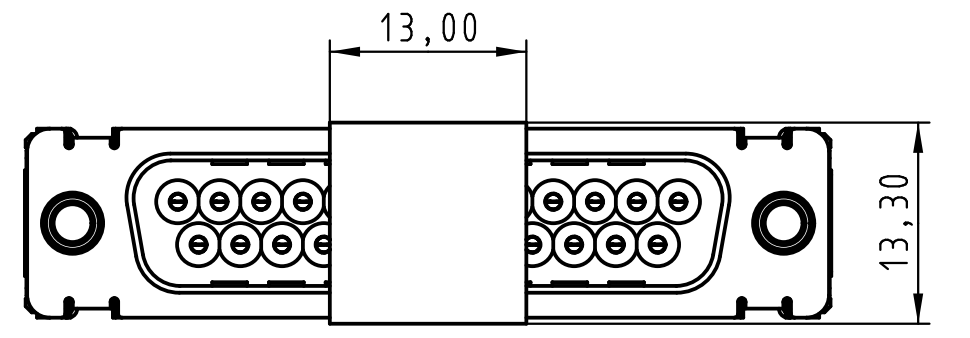
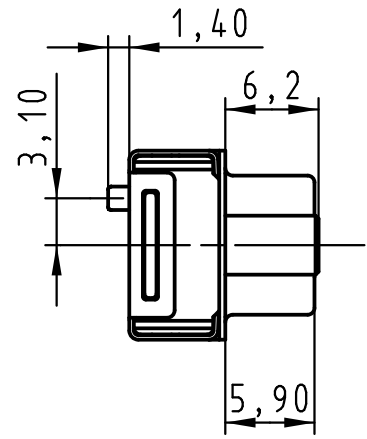
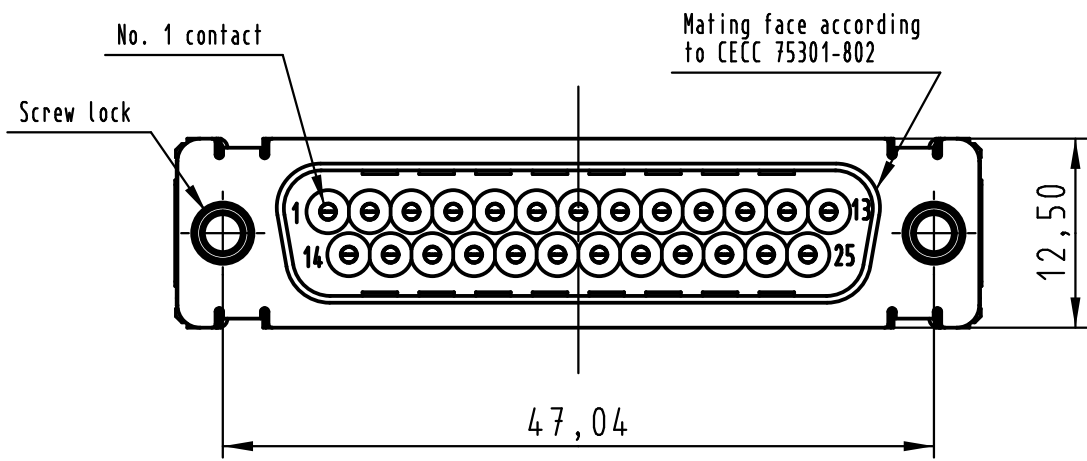
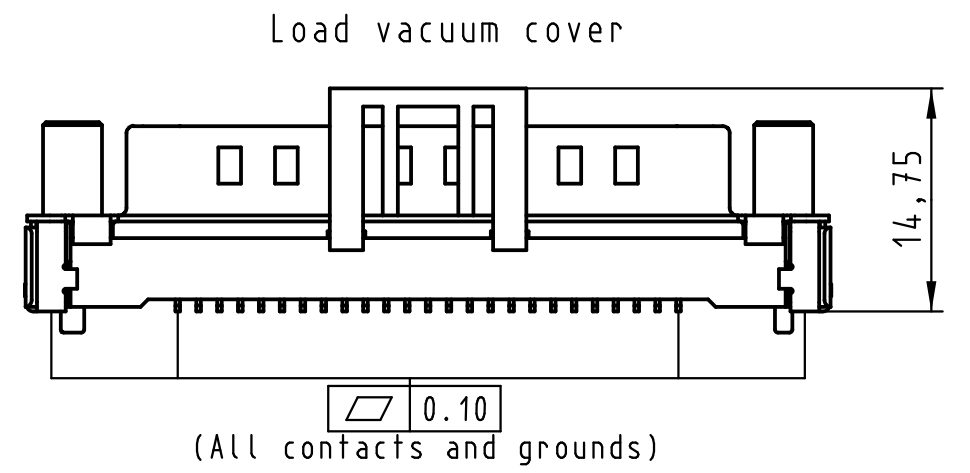
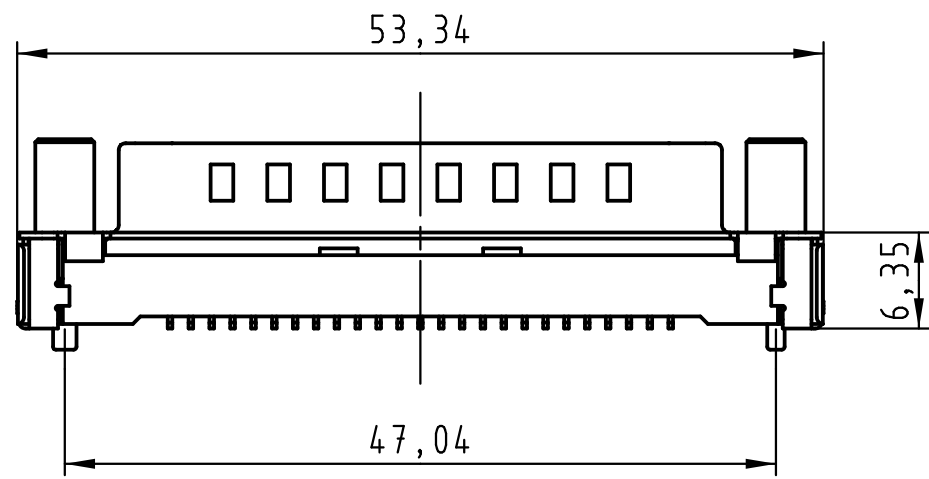


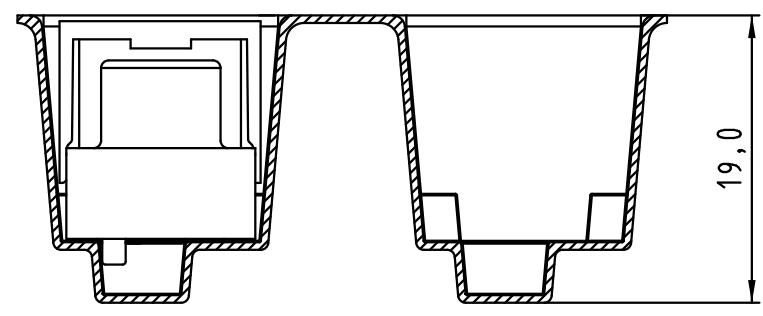
All rights reserved



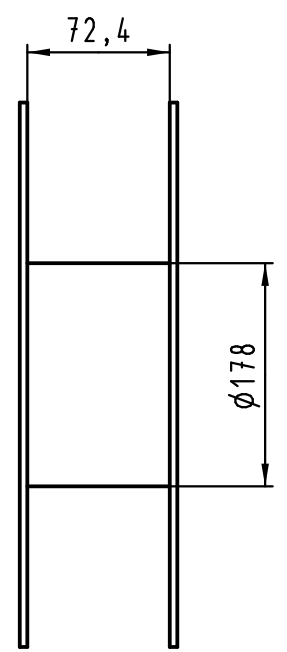
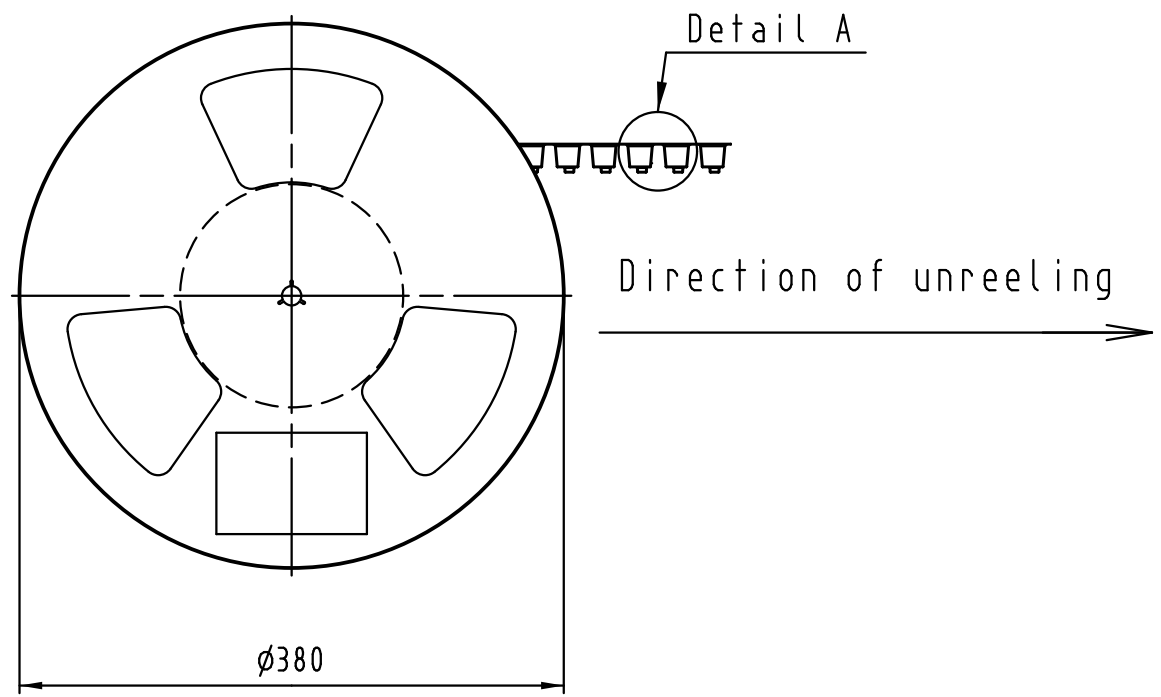
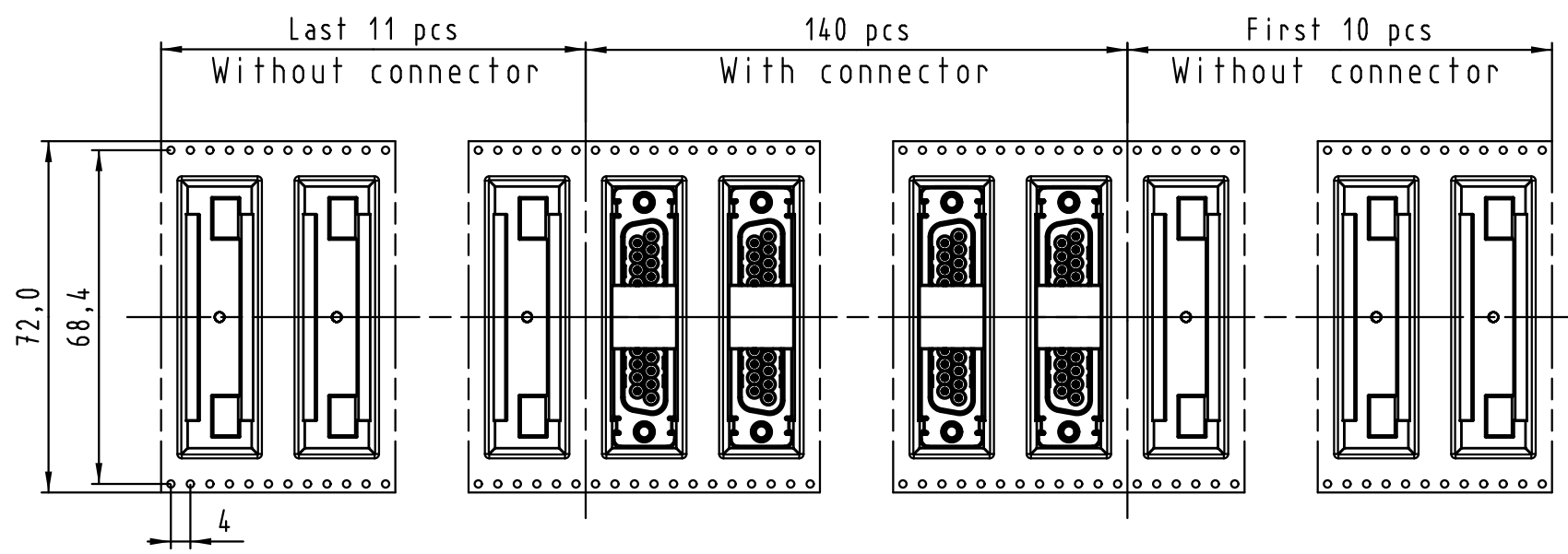
Max. Temperature: 260° during 10 seconds.

0955 329 3821 741	1	M3	Black insulator	Reel Packaging: 140 connectors (See details on page 2/2)
0955 329 3822 741	1	4-40 UNC		
0955 329 6821 741	2	M3		
0955 329 6822 741	2	4-40 UNC		
0955 329 7821 741	3	M3		
0955 329 7822 741	3	4-40 UNC		

Part number		PL	Screw lock	Index designation	
All Dimensions in mm Original Size DIN A 3		Techn. Character.		Free size tolerances	
				2:1	D-Sub SMT, 25 poles Male, Straight with screw locks and ground pads
EC04070	17-Nov-11	Johnson.S	Zhuhai HARTING Limited	TB 09 55 329 x82x	
Mod.	Dat.	Name		Sub.	Page 1/2



Detail A



See TB 09 55 329 x82x folio 1/2 for connector dimensions and PCB layout

Packaging in accordance with EIA 481-2.

0955 329 3821 741	1	M3	Black insulator	Reel Packaging: 140 connectors
0955 329 3822 741	1	4-40 UNC		
0955 329 6821 741	2	M3		
0955 329 6822 741	2	4-40 UNC		
0955 329 7821 741	3	M3		
0955 329 7822 741	3	4-40 UNC		
Part number	PL	Screw lock	Index designation	

			Techn. Character.			Free size tolerances		
			Dat.		Name		Scale	
			Detail. 25-Oct-11		Johnson.S		D-Sub SMT, 25 poles Male, Straight with screw locks and ground pads	
			Insp. 17-Nov-11		Steven.W			
			Stand. 17-Nov-11		Steven.W			
EC04070	17-Nov-11	Johnson.S	Zhuhai HARTING Limited					TB 09 55 329 x82x
Mod.	Dat.	Name				Sub.		Page 2/2

All rights reserved