

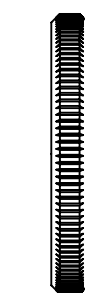
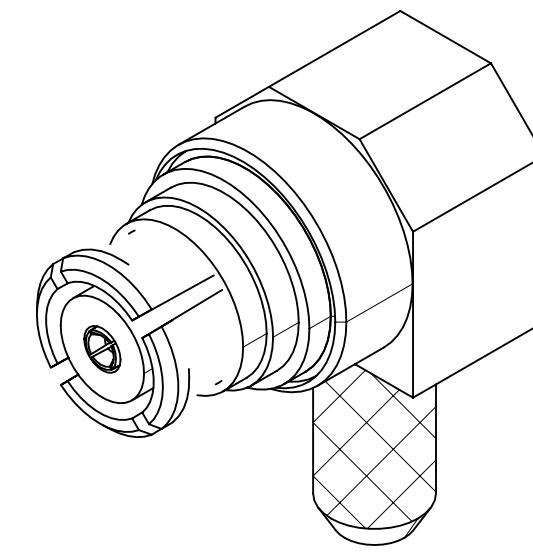
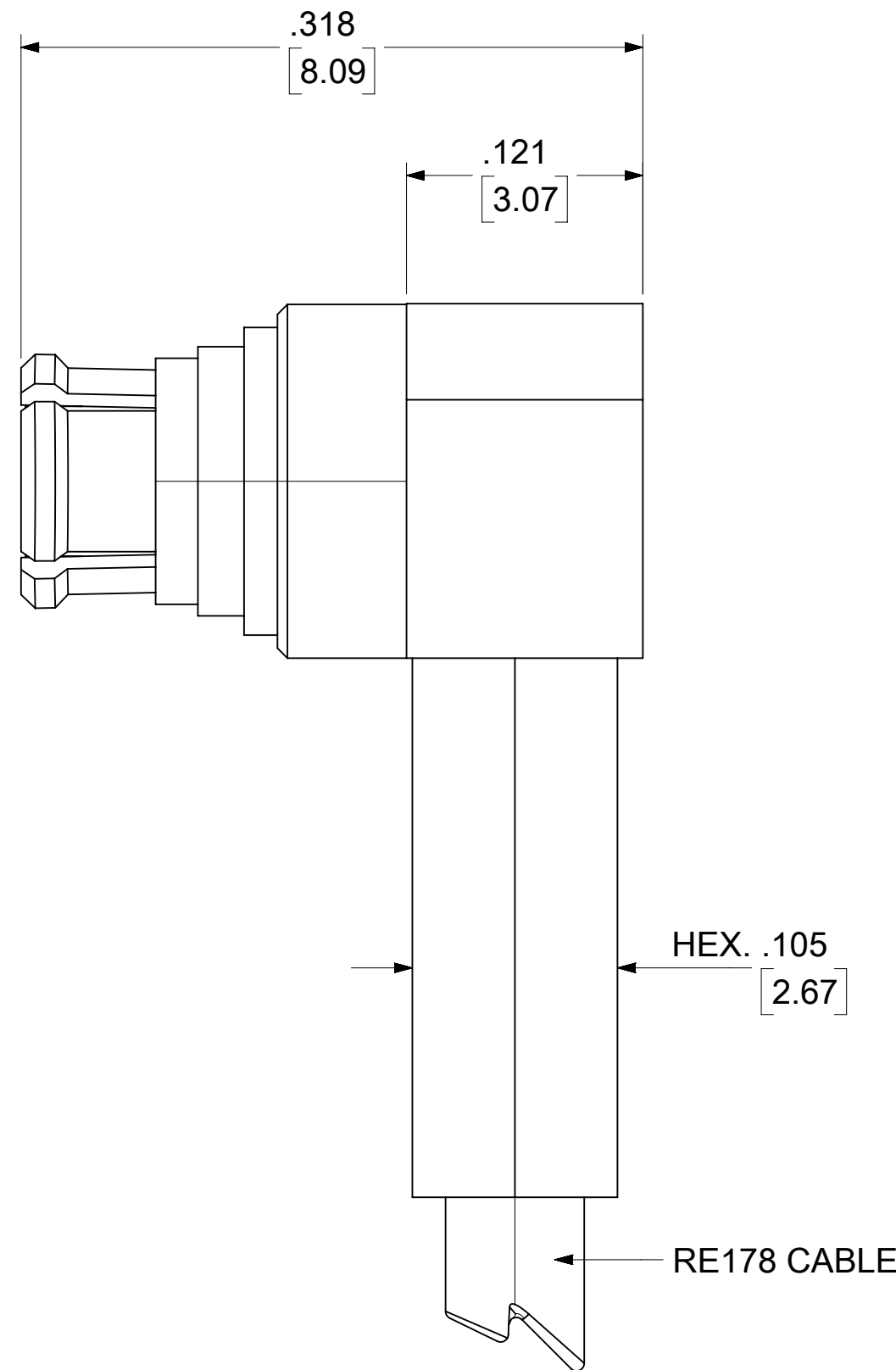
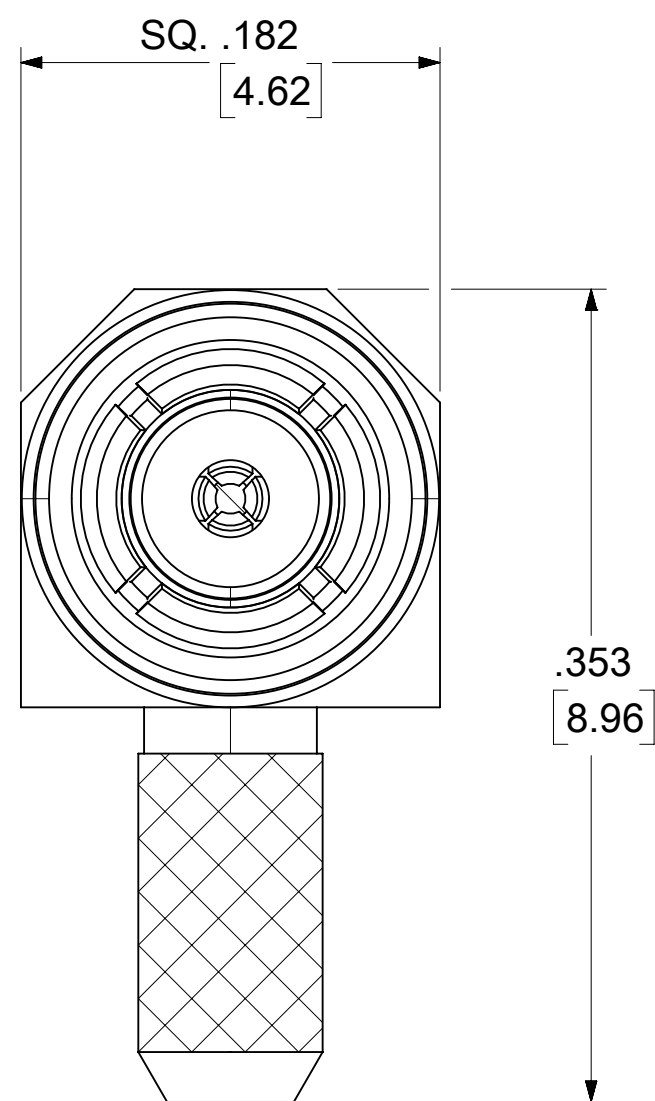
MATERIALS AND FINISHES

BODY, CRIMP TUBE BRASS  
PLATED GOLD

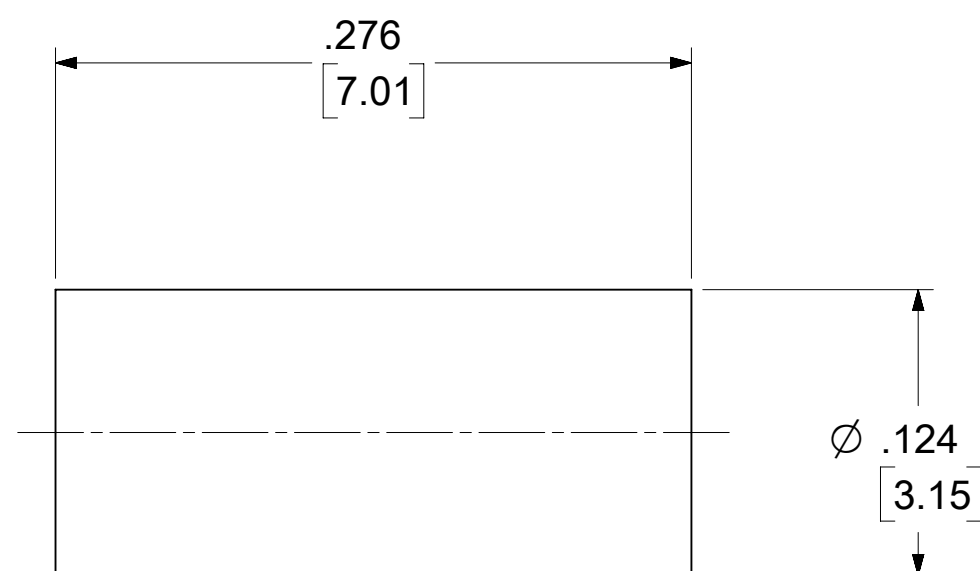
OUTER CONTACT BERYLLIUM COPPER  
PLATED GOLD

CENTER CONTACT BERYLLIUM COPPER  
PLATED GOLD

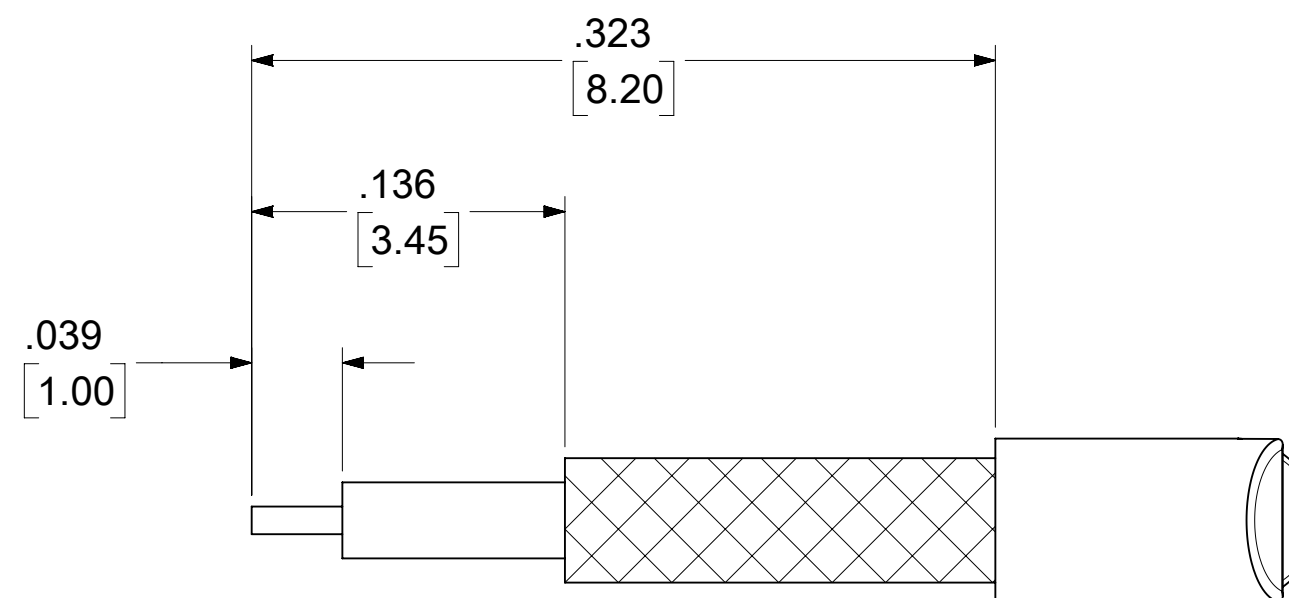
INSULATOR TEFLON



CAP



CRIMP TUBE



RECOMMENDED CABLE STRIP MIMENSION

LABEL FORMAT FOR  
73406-0141

PART NUMBER: 73406-0140  
ORDER NUMBER: 73406-0141  
MOLEX  
DATE: YYWW

73406-0141	73406-0140 ONE PER BAG	895420470
73406-0140	73406-0140 TRAY	895420040
PART NO.	DESCRIPTION	PACKING SPEC

MIL-STD-348A, FIG. 326.1	INTERFACE
SPECIFICATION	DESCRIPTION

FUNCTIONAL SYMBOLS $\nabla_A = 0$ $\nabla_C = 0$ $\nabla_P = 0$	THIS DRAWING CONTAINS INFORMATION THAT IS PROPRIETARY TO MOLEX ELECTRONIC TECHNOLOGIES, LLC AND SHOULD NOT BE USED WITHOUT WRITTEN PERMISSION		CURRENT REV DESC: ADD 73406-0141 PER EWR# 15321-C		
	DIMENSION UNITS	SCALE	EC NO: 718723		
	INCH/MM	NTS	DRWN: ELIN 2022/08/22		
	GENERAL TOLERANCES (UNLESS SPECIFIED)		CHK'D: YCHENG 2022/08/30		
ANGULAR TOL ± 2.0°		APPR: YCHENG 2022/08/30		PRODUCT CUSTOMER DRAWING	
DIVISIONAL SYMBOLS		INITIAL REVISION:		DOCUMENT NUMBER	
4 PLACES ±		DRWN: MCHAN05 2009/07/14		SD-73406-014	
3 PLACES ±		APPR: MHUANG 2009/07/14		DOC TYPE DOC PART REVISION	
2 PLACES ±		THIRD ANGLE PROJECTION		PSD 001 C1	
1 PLACE ±		DRAWING		MATERIAL NUMBER	
0 PLACES ±		C-SIZE		CUSTOMER	
DRAFT WHERE APPLICABLE MUST REMAIN WITHIN DIMENSIONS		SERIES		SHEET NUMBER	
		73406		SEE TABLE GENERAL MARKET 1 OF 1	