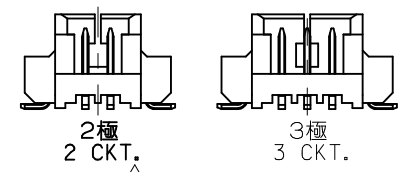


注記 NOTES

- 嵌合相手 : 51021 シリーズ MATE WITH : 51021 SERIES
- 水平面上においての、ウエハー底面 [W] とソルダーテール及びフィッティングネイル底面とのズレ量を示す。  
MISALIGNMENT OF SOLDER TAIL & FITTING NAIL FROM [W]
- 偶数極にのみ適用。APPLY EVEN CIRCUIT PRODUCTS.
- ロック窓は、2、3極は1ヶ所、4極以上は2ヶ所とする。  
LOCKING WINDOW : ONE PLACE FOR 2&3 CKTS.  
TWO PLACES FOR MORE THAN 4 CKTS.
- 材質 MATERIAL PA, UL94V-0 COLOR:NATURAL  
ウエハー : WAFER  
ピン : リン青銅  
PIN : PHOS-BRO  
: 鏡メッキ 1.0マイクロメートル以上  
: MATTE TIN 1.0 MICROMETER MINIMUM  
: ニッケル下地 1.0マイクロメートル以上  
: NICKEL(UNDER PLATING)1.0 MICROMETER MINIMUM  
金具 : リン青銅  
FITTING NAIL : PHOS-BRO  
: 鏡メッキ 1.0マイクロメートル以上  
: MATTE TIN 1.0 MICROMETER MINIMUM  
: ニッケル下地 1.0マイクロメートル以上  
: NICKEL(UNDER PLATING)1.0 MICROMETER MINIMUM
- 本製品は 53398-\*\*-\*\*10 の鉛フリー品である。  
THIS PRODUCT IS LEAD FREE OF 53398-\*\*-\*\*10.



△ ロック形状図  
LOCK CONFIGURATION

REVISED EC NO: J2010-0213 DRWN:TKON CHKD:NUKITA APPR:NUKITA	DESCRIPTION 2009/09/25 2009/09/25 2009/09/28	GENERAL TOLERANCES (UNLESS SPECIFIED)		DIMENSION STYLE MM ONLY		SCALE ---	53398-**-**19	MODEL NO.
		10 UNDER	±0.2	DRAWN BY MNINOMIYA	DATE 04/02/06	TITLE 1.25 W/B CONN. ASS'Y FOR SMT(ST.) -LEAD FREE-	DESIGN UNITS METRIC	THIRD ANGLE PROJECTION
		10 OVER 30 UNDER	±0.25	CHECKED BY KTOJO	DATE 04/02/06	MOLEX MOLEX INCORPORATED	DOCUMENT NO. SD-53398-032	SHEET NO. 1 OF 2
		30 OVER	±0.3	APPROVED BY MSASAO	DATE 04/02/06			
ANGULAR ±3 °		DRAFT WHERE APPLICABLE MUST REMAIN WITHIN DIMENSIONS		MATERIAL NO. SEE SHEET 2				
SIZE A3		THIS DRAWING CONTAINS INFORMATION THAT IS PROPRIETARY TO MOLEX INCORPORATED AND SHOULD NOT BE USED WITHOUT WRITTEN PERMISSION						

10 9 8 7 6 5 4 3 2 1

F

F

E

E

D

D

C

C

B

B

A

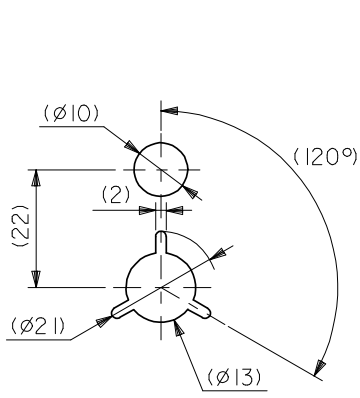
A

23.9	23.5	20.5	18.6	19.3	17.5	53398-1571	15
22.65	22.25	19.25	17.35	18.05	16.25	53398-1471	14
21.4	21	18	16.1	16.8	15	53398-1371	13
20.15	19.75	16.75	14.85	15.55	13.75	53398-1271	12
18.9	18.5	15.5	13.6	14.3	12.5	53398-1171	11
17.65	17.25	14.25	12.35	13.05	11.25	53398-1071	10
16.4	16	13	11.1	11.8	10	53398-0971	9
15.15	14.75	11.75	9.85	10.55	8.75	53398-0871	8
13.9	13.5	10.5	8.6	9.3	7.5	53398-0771	7
12.65	12.25	9.25	7.35	8.05	6.25	53398-0671	6
11.4	11	8	6.1	6.8	5	53398-0571	5
10.15	9.75	6.75	4.85	5.55	3.75	53398-0471	4
8.9	8.5	5.5	3.6	4.3	2.5	53398-0371	3
7.65	7.25	4.25	2.35	3.05	1.25	53398-0271	2
F	E	D	C	B	A	EMBOSSED TAPE PKG. (HIGH BARRIER PKG.) ORDER No.	種数 No. of &T's.

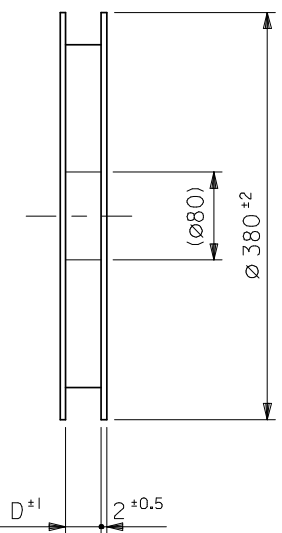
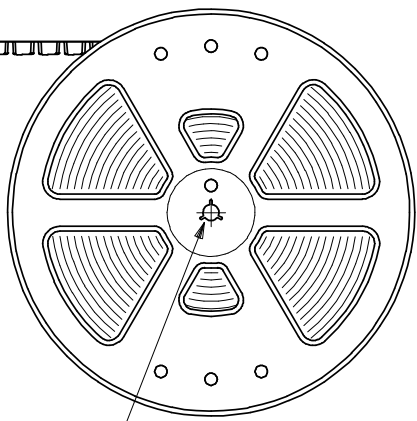
CONNECTOR SERIES NO. 53398-\*\*\*19

REVISED EC NO: J2010-0213 DRWN:TKON 2009/09/25 CHKD:NUKITA 2009/09/25 APPR:NUKITA 2009/09/28	GENERAL TOLERANCES (UNLESS SPECIFIED)		DIMENSION STYLE <b>MM ONLY</b>	SCALE ---	DESIGN UNITS <b>METRIC</b>	THIRD ANGLE PROJECTION	
	10 UNDER	±0.2	DRAWN BY MNINOMIYA	DATE 04/02/06	TITLE 1.25 W/B CONN. ASS'Y FOR SMT(ST.) -LEAD FREE-		
	10 OVER 30 UNDER	±0.25	CHECKED BY KTOJO	DATE 04/02/06	APPROVED BY MSASAO 04/02/06		
	30 OVER	±0.3	MATERIAL NO. <b>SEE TABLE</b>		DOCUMENT NO. <b>SD-53398-032</b>		SHEET NO. 2 OF 2
	ANGULAR ±3 °		DRAFT WHERE APPLICABLE MUST REMAIN WITHIN DIMENSIONS THIS DRAWING CONTAINS INFORMATION THAT IS PROPRIETARY TO MOLEX INCORPORATED AND SHOULD NOT BE USED WITHOUT WRITTEN PERMISSION				

引き出し方向  
PULL OUT DIRECTION

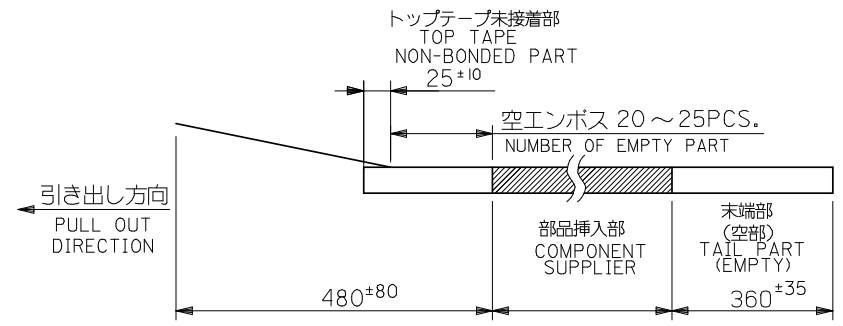


DETAIL "F"

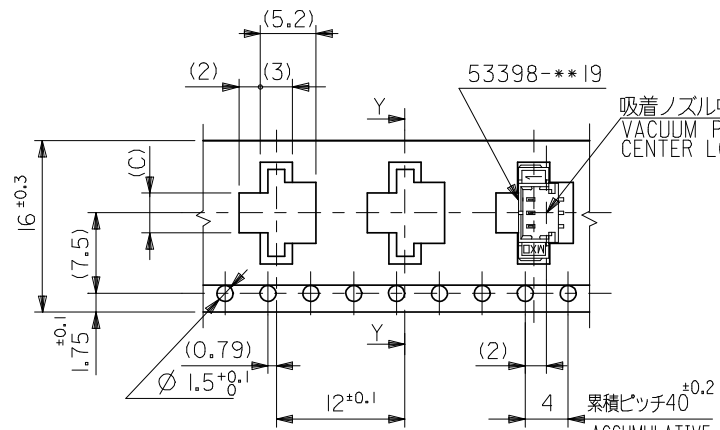


NOTES

- 梱包数量：1000個/リール  
NUMBER OF CONNECTOR: 1000PCS/REEL
- リードテープ長さ  
LEAD TAPE LENGTH

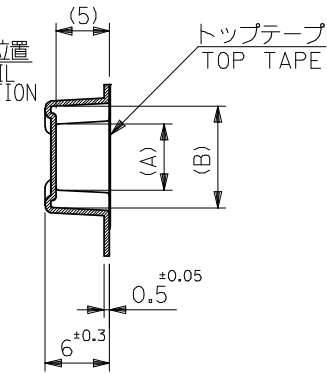


- 製品詳細寸法は製品単体図面を参照して下さい。  
RE DETAILED DIMENSIONS, SEE PRODUCT DRAWING.
- 材料 (MATERIAL)  
キャリアテープ (CARRIER TAPE): ポリプロピレン (POLYPROPYLENE)  
トップテープ (TOP TAPE): PET, PE, PEF  
リール (REEL): ポリスチレン (PS) <リサイクル材含む>  
POLYSTYREN (PS) <RECYCLE MATERIAL CONTAINED>
- 本製品は53398-\*\*-71の梱包違い品、シリカゲル入りハイバリア仕様である。  
THIS PRODUCT IS HIGH BARRIER PACKAGE INCLUDING SILICAGEL INCLUDING SILICAGEL FOR 53398-\*\*-71.
- 開梱後の保管条件に注意のこと。(PS-51021-024参照)  
REFER TO PS-51021-024 FOR CONDITIONS AFTER OPEN.
- ELV AND RoHS COMPLIANT.



引き出し方向  
PULL OUT DIRECTION

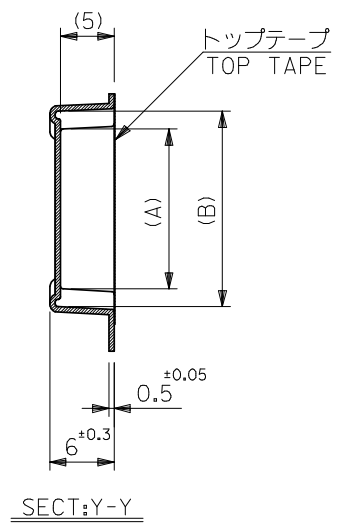
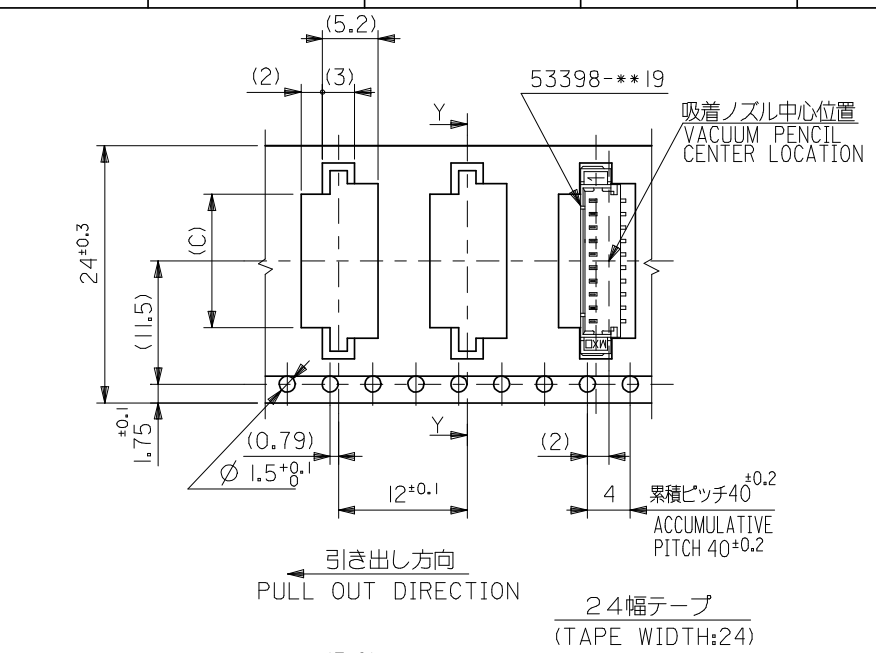
16幅テープ  
(TAPE WIDTH: 16)



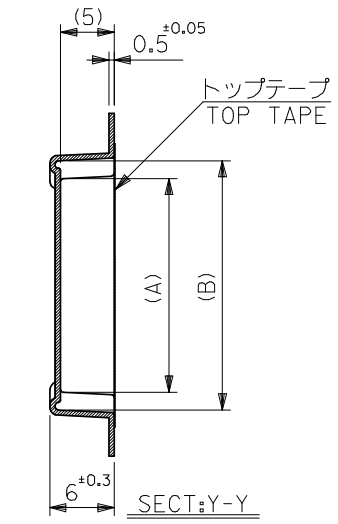
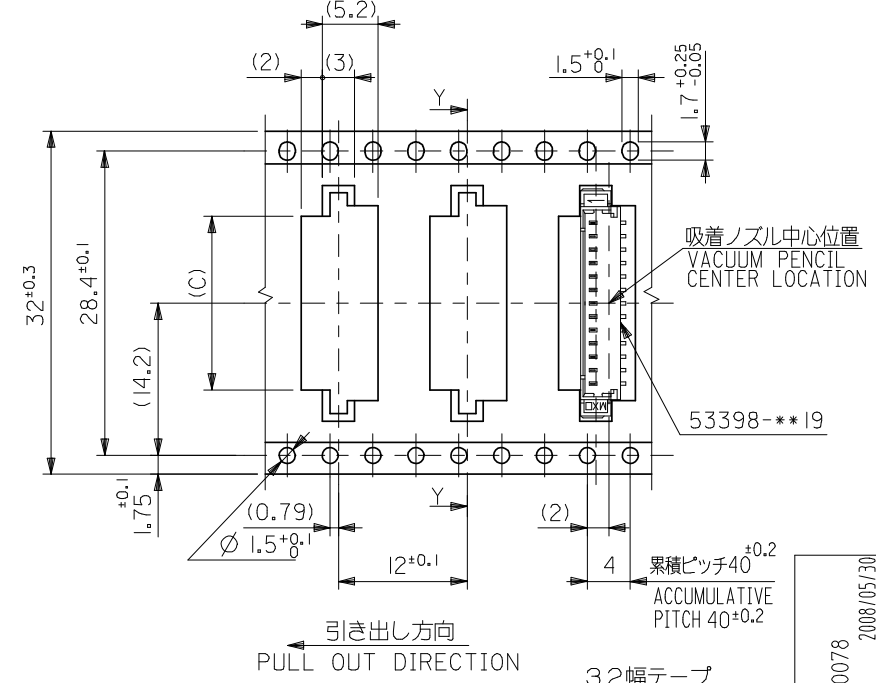
SECT: Y-Y

53398-**-84	MODEL NO.	16	21.4	17.4	3.7	9.5	5.8	53398-0384	3
		キャリアテープ幅 CARRIER TAPE WIDTH	E	D	(C)	(B)	(A)	53398-0284	2
								MATERIAL NO.	極数 CKT.

RELEASED EC NO: J2008-0078 DRW: KSAITO01 CHK: H. MATSUMOTO APPR: NUKITA 2008/05/30 2008/05/30 2008/05/30	GENERAL TOLERANCES (UNLESS SPECIFIED)	DIMENSION STYLE	SCALE	DESIGN UNITS	THIRD ANGLE PROJECTION
	10 UNDER ±---	MM ONLY	---	METRIC	
	10 OVER 30 UNDER ±---	DRAWN BY DATE	TITLE	EMBOSSED TAPE PKG. FOR 53398-**-19 HIGH BARRIER PKG.	
	30 OVER ±---	CHECKED BY DATE	MOLEX INCORPORATED		
	ANGULAR ±---	APPROVED BY DATE	MATERIAL NO.	DOCUMENT NO.	SHEET NO.
DRAFT WHERE APPLICABLE MUST REMAIN WITHIN DIMENSIONS	SEE TABLE	SD-53398-040	1 OF 3		
		THIS DRAWING CONTAINS INFORMATION THAT IS PROPRIETARY TO MOLEX INCORPORATED AND SHOULD NOT BE USED WITHOUT WRITTEN PERMISSION			



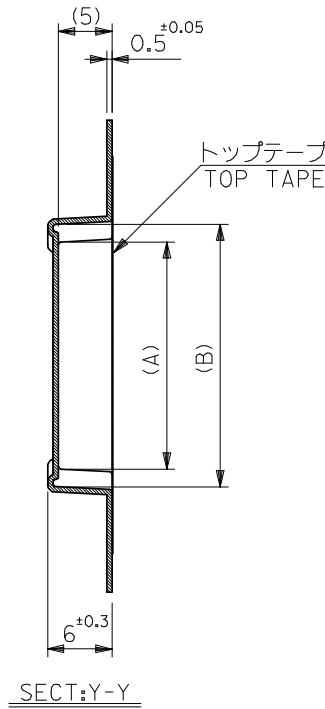
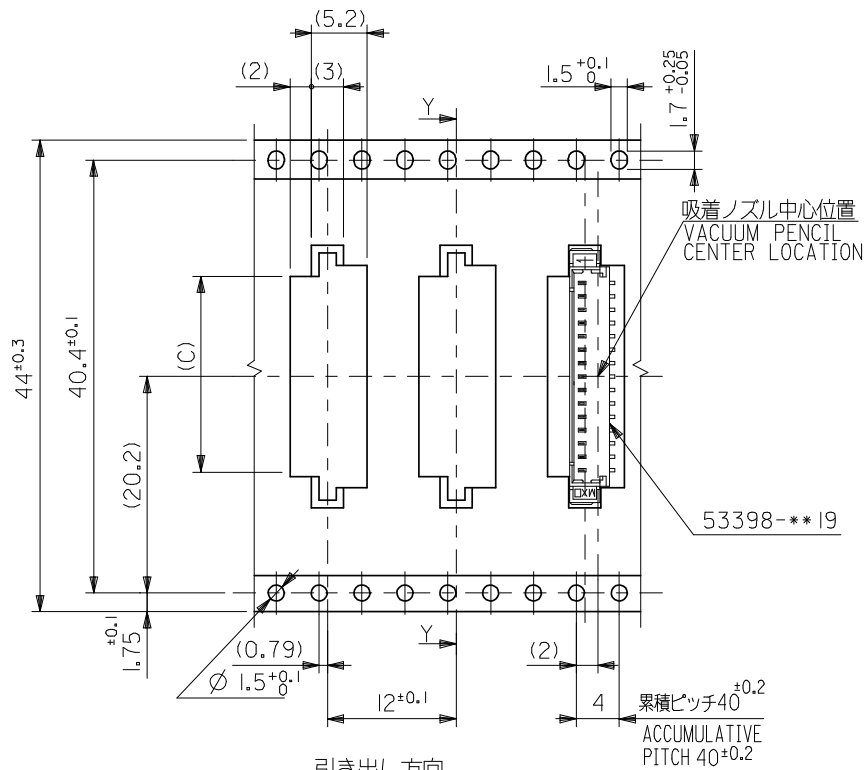
24幅テープ  
(TAPE WIDTH:24)



32幅テープ  
(TAPE WIDTH:32)

32	37.4	33.4	16.2	22	18.3	53398-1384	13	
			14.95	20.75	17.05	↑ -1284	12	
			13.7	19.5	15.8	-1184	11	
24	29.4	25.4	12.45	18.25	14.55	-1084	10	
			11.2	17	13.3	-0984	9	
			9.95	15.75	12.05	-0884	8	
			8.7	14.5	10.8	-0784	7	
			7.45	13.25	9.55	-0684	6	
			6.2	12	8.3	↓ -0584	5	
キャリアテープ幅 CARRIER TAPE WIDTH		E	D	(C)	(B)	(A)	53398-0484	4
						53398-***84	MODEL NO.	

RELEASED EC NO: J2008-0078 DRW:KSAIT001 CH:KHMATSUMOTO APPR:NUKITA	2008/05/30 2008/05/30 2008/05/30	GENERAL TOLERANCES (UNLESS SPECIFIED)	DIMENSION STYLE MM ONLY	SCALE ---	DESIGN UNITS METRIC	THIRD ANGLE PROJECTION	
	10 UNDER ± ---	10 OVER 30 UNDER ± ---	30 OVER ± ---	DRAWN BY Y. AOYAGI	DATE 2008/05/29	TITLE EMBOSSED TAPE PKG. FOR 53398-***19 HIGH BARRIER PKG.	
	ANGULAR ± --- °		DRAFT WHERE APPLICABLE MUST REMAIN WITHIN DIMENSIONS	CHECKED BY H. MATSUMOTO	DATE 2008/05/29	MOLEX INCORPORATED	
	SEE TABLE			APPROVED BY N. UKITA	DATE 2008/05/29	DOCUMENT NO. SD-53398-040	SHEET NO. 2 OF 3
	THIS DRAWING CONTAINS INFORMATION THAT IS PROPRIETARY TO MOLEX INCORPORATED AND SHOULD NOT BE USED WITHOUT WRITTEN PERMISSION			MATERIAL NO.	Molex logo		



引き出し方向  
PULL OUT DIRECTION

44幅テープ  
(TAPE WIDTH:44)

累積ピッチ40 ± 0.2  
ACCUMULATIVE PITCH 40 ± 0.2

53398-\*\*19

53398-\*\*84 MODEL NO.

44	49.4	45.4	18.7	24.5	20.8	53398-1584	15
			17.45	23.25	19.55	53398-1484	14
キャリアテープ幅 CARRIER TAPE WIDTH	E	D	(C)	(B)	(A)	MATERIAL NO.	極数 CKT.

RELEASED EC NO: J2008-0078 DRWN:KSAITO01 2008/05/30 CHK:KHMATSUMOTO 2008/05/30 APPR:NUKITA 2008/05/30	DESCRIPTION	GENERAL TOLERANCES (UNLESS SPECIFIED)	DIMENSION STYLE	SCALE	DESIGN UNITS	THIRD ANGLE PROJECTION
	REV	10 UNDER	MM ONLY	---	METRIC	
		10 OVER 30 UNDER	± ---			EMBOSSED TAPE PKG. FOR 53398-**19 HIGH BARRIER PKG.
		30 OVER	± ---			MOLEX INCORPORATED
		ANGULAR	± --- °			SD-53398-040
		DRAFT WHERE APPLICABLE MUST REMAIN WITHIN DIMENSIONS	SEE TABLE			SHEET NO. 3 OF 3
			SIZE A3	THIS DRAWING CONTAINS INFORMATION THAT IS PROPRIETARY TO MOLEX INCORPORATED AND SHOULD NOT BE USED WITHOUT WRITTEN PERMISSION		