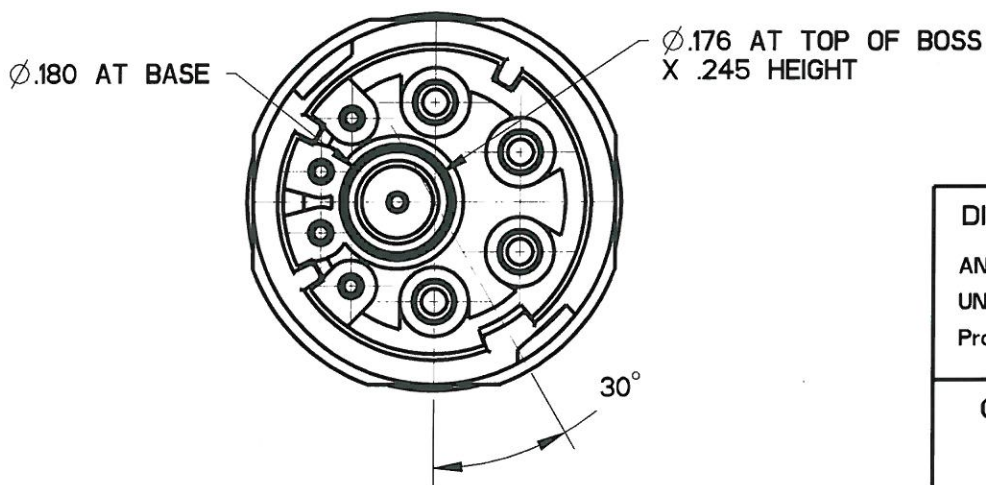
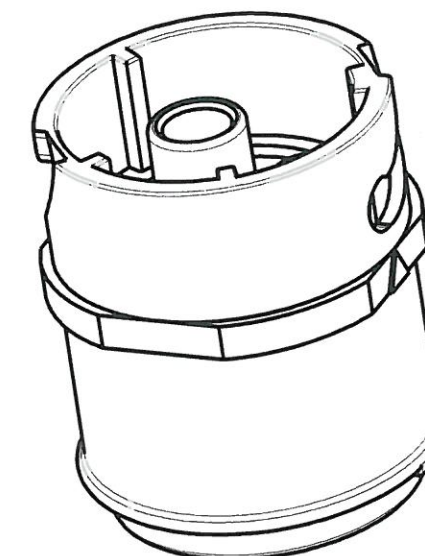
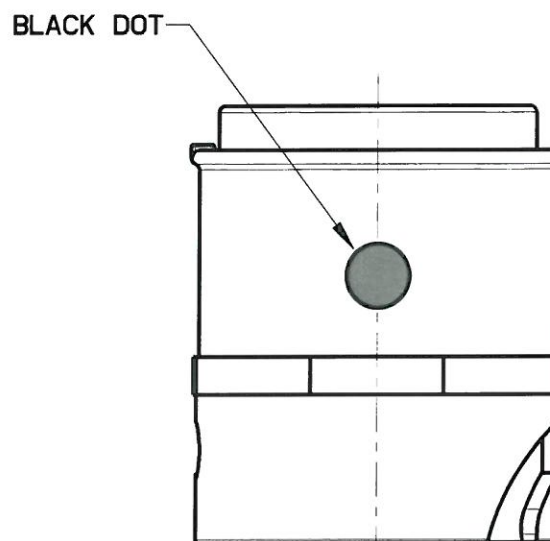
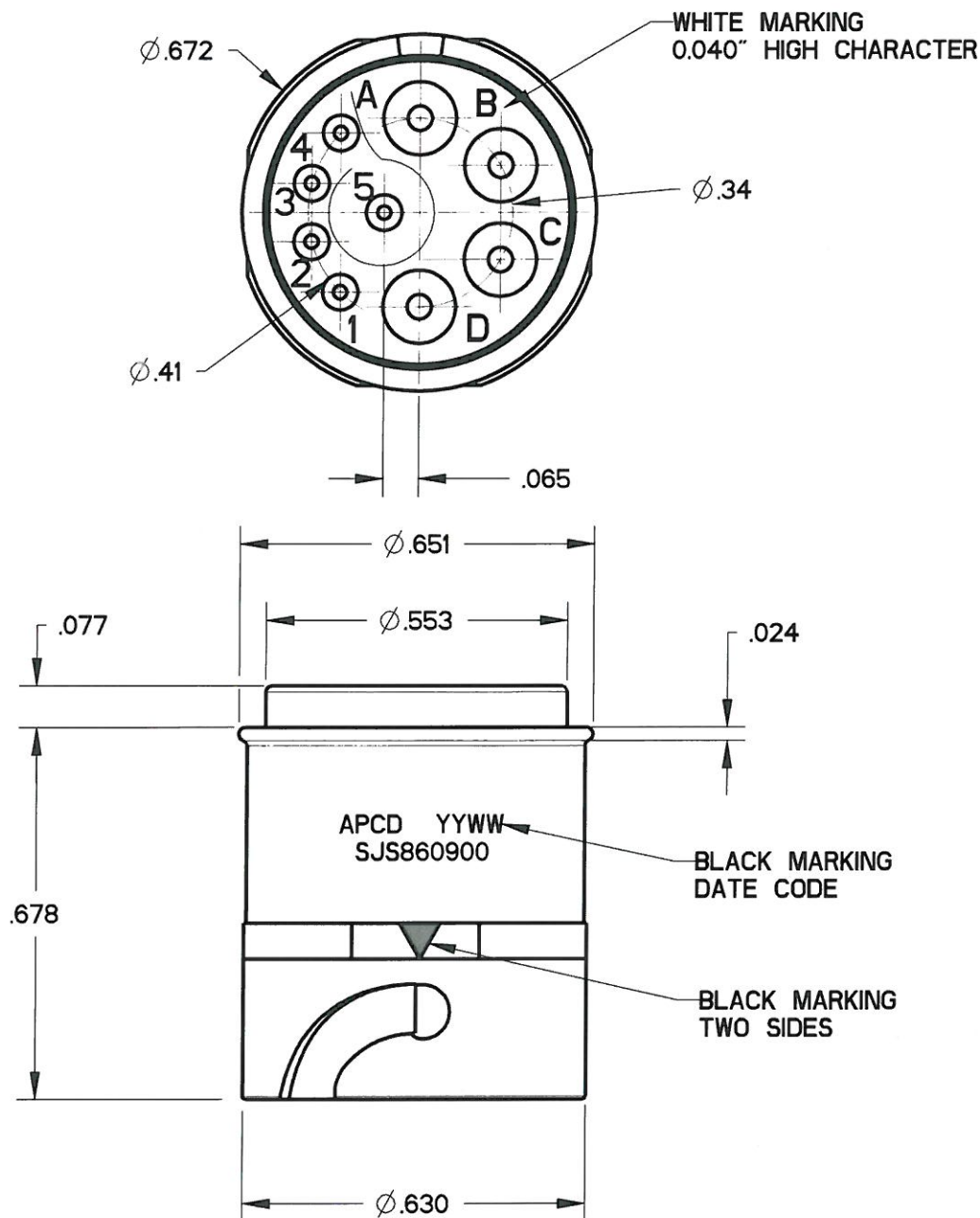


REV	ECN	APP'D
-	6495	JT 3/4/10
A	6564	JT 8/6/10



- NOTES:
- MATERIALS:
 HOUSING: PA6/6
 CONTACT RETAINER: STAINLESS STEEL
 GROMMET: SILICONE RUBBER PER A-A-59588
 - ACCEPTS M39029/58--360&364 PIN CONTACTS (NOT INCLUDED)
 - PART MATES WITH SJS860910
 - WEIGHT: 3.2 GRAMS
 - SUPPLIED WITH DUST CAP

DIMENSIONS ANSI Y14.5M UNITS: INCHES Pro/E FILE	TOLERANCES .XX ±0.01 .XXX ±0.005 ANGLES ±1.0°	PROJECTION 	Amphenol Pcd SPECIFICATION DRAWING		TITLE 4P SZ16 & 5P SZ22 WHITE RECEPTACLE FOR SJS		
			ENGR Frank.Li 15-Jan-09	SIZE B		DWG NO. SJS860900_CE	REV A
ORIGINAL 	THIS DOCUMENT CONTAINS PROPRIETARY INFORMATION WHICH IS THE CONFIDENTIAL PROPERTY OF AMPHENOL PCD INC., BEVERLY, MA		CHKD 8/6/10	APPD 8/6/10	CODE: 58982	SCALE: 3:1	SHEET 1 OF 1

SJS860900

SJS860900