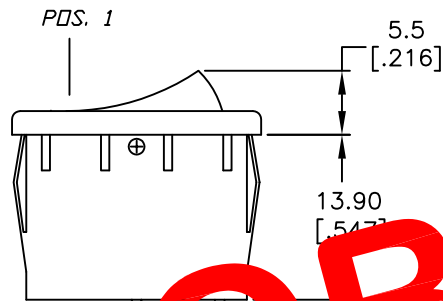
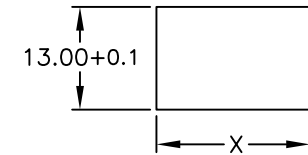


▲ BLACK ACTUATOR ▲ WHITE HOUSING

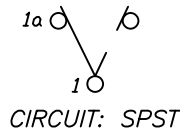


PANEL THICKNESS		X
0.75-1.25	[.030-.049]	19.2 [.756]
1.25-2.0	[.049-.079]	19.4 [.764]
2.0-3.0	[.079-.118]	19.8 [.780]

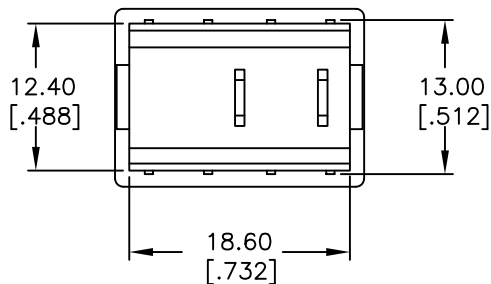


PANEL CUTOUT

SWITCH FUNCTION	
POS. 1	POS. 2
ON	OFF
1-1a	OPEN



OBSOLETE
 November 2017
 PCR 23108



NOTES:

1. ALL DIMENSIONS IN MM [INCH]
2. GENERAL TOLERANCE: X.X=±0.4
X.XX=±0.25
3. TERMINAL NUMBERS FOR REF ONLY.
4. RATING: 15A @ 125VAC OR 6A @ 250VAC
5. MECHANICAL LIFE: 15,000 cycles
6. ELECTRICAL LIFE: 10,000 cycles
7. INSULATION RESISTANCE: >1000 Mega Ω
8. CONTACT RESISTANCE: <20 Mega Ω
9. DIELECTRIC STRENGTH: >1500 V 1 minute
>3000 V between poles

▲ 10. DESIGNATE MAJOR FEATURE:

E-SWITCH®

TITLE					R1966A WHT BLK G S				
SCALE	DATE	DR	DWG	REV					
1.5:1	3/22/02	CB	M301251	A					

A	12010	RELEASED FOR PRODUCTION	3/22/02	CJB
REV.	ECN No.	DESCRIPTION	DATE	CHKD
THE INFORMATION CONTAINED IN THIS DOCUMENT IS PROPRIETARY TO E-SWITCH AND IS NOT TO BE COPIED OR TRANSFERRED				