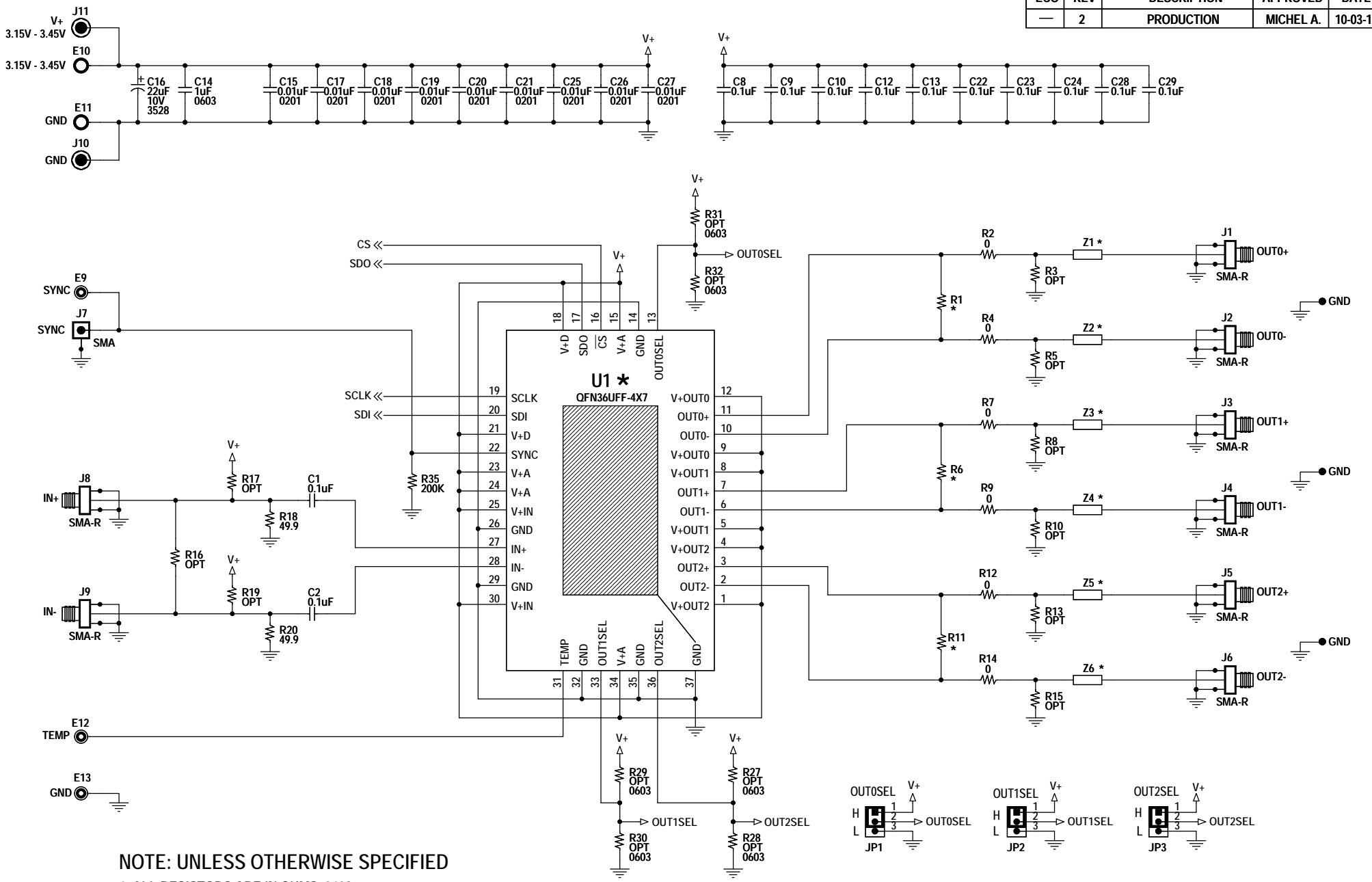


REVISION HISTORY				
ECO	REV	DESCRIPTION	APPROVED	DATE
—	2	PRODUCTION	MICHEL A.	10-03-13



NOTE: UNLESS OTHERWISE SPECIFIED

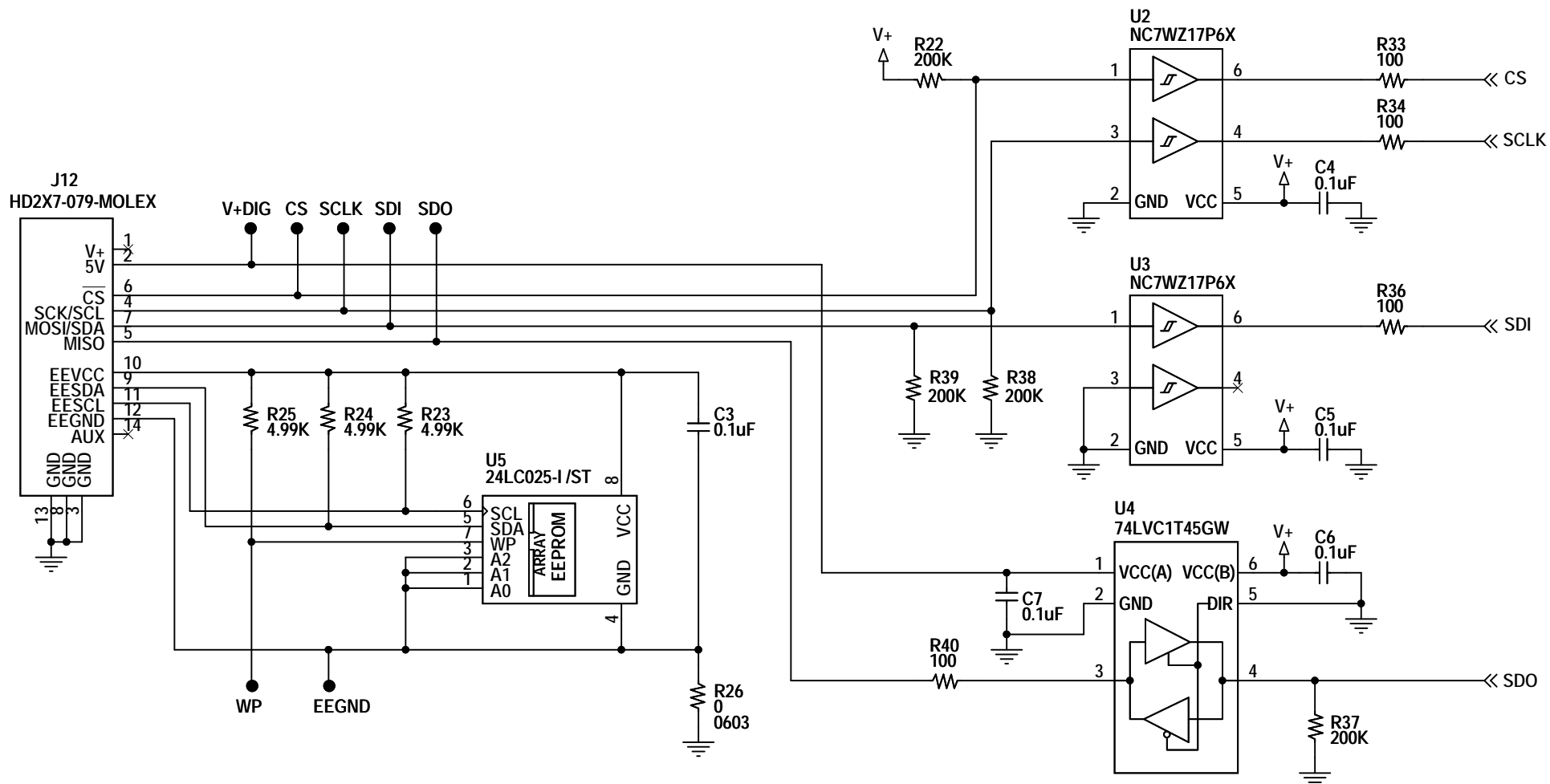
- 1. ALL RESISTORS ARE IN OHMS, 0402
- ALL CAPACITORS ARE IN MICROFARADS, 0402

\*

ASSY	U1	R1	R6	R11	Z1-Z2	Z3-Z4	Z5-Z6
-A	LTC6954IUHF-1	OPEN	OPEN	OPEN	0.1uF	0.1uF	0.1uF
-B	LTC6954IUHF-2	OPEN	OPEN	100 OHM	0.1uF	0.1uF	0 OHM
-C	LTC6954IUHF-3	OPEN	100 OHM	100 OHM	0.1uF	0 OHM	0 OHM
-D	LTC6954IUHF-4	100 OHM	100 OHM	100 OHM	0 OHM	0 OHM	0 OHM

CUSTOMER NOTICE		APPROVALS		LINEAR TECHNOLOGY	
LINEAR TECHNOLOGY HAS MADE A BEST EFFORT TO DESIGN A CIRCUIT THAT MEETS CUSTOMER-SUPPLIED SPECIFICATIONS; HOWEVER, IT REMAINS THE CUSTOMER'S RESPONSIBILITY TO VERIFY PROPER AND RELIABLE OPERATION IN THE ACTUAL APPLICATION. COMPONENT SUBSTITUTION AND PRINTED CIRCUIT BOARD LAYOUT MAY SIGNIFICANTLY AFFECT CIRCUIT PERFORMANCE OR RELIABILITY. CONTACT LINEAR TECHNOLOGY APPLICATIONS ENGINEERING FOR ASSISTANCE.		PCB DES.	KIM T.	1630 McCarthy Blvd. Milpitas, CA 95035 Phone: (408)432-1900 www.linear.com Fax: (408)434-0507 LTC Confidential-For Customer Use Only	
		APP ENG.	MICHEL A.	TITLE: SCHEMATIC LOW PHASE NOISE, TRIPLE OUTPUT CLOCK DISTRIBUTION DIVIDER/ DRIVER	
THIS CIRCUIT IS PROPRIETARY TO LINEAR TECHNOLOGY AND SUPPLIED FOR USE WITH LINEAR TECHNOLOGY PARTS.		SCALE = NONE		SIZE N/A	IC NO. LTC6954IUHF-1/-2/-3/-4 DEMO CIRCUIT 1954A
				DATE: 10/03/2013, 10:30 AM	REV. 2
				SHEET 1 OF 2	

# DC590 SPI INTERFACE



NOTE: EEPROM FOR BOARD IDENTIFICATION

## CUSTOMER NOTICE

LINEAR TECHNOLOGY HAS MADE A BEST EFFORT TO DESIGN A CIRCUIT THAT MEETS CUSTOMER-SUPPLIED SPECIFICATIONS; HOWEVER, IT REMAINS THE CUSTOMER'S RESPONSIBILITY TO VERIFY PROPER AND RELIABLE OPERATION IN THE ACTUAL APPLICATION. COMPONENT SUBSTITUTION AND PRINTED CIRCUIT BOARD LAYOUT MAY SIGNIFICANTLY AFFECT CIRCUIT PERFORMANCE OR RELIABILITY. CONTACT LINEAR TECHNOLOGY APPLICATIONS ENGINEERING FOR ASSISTANCE.

THIS CIRCUIT IS PROPRIETARY TO LINEAR TECHNOLOGY AND SUPPLIED FOR USE WITH LINEAR TECHNOLOGY PARTS.

## APPROVALS

PCB DES.	KIM T.
APP ENG.	MICHEL A.

SCALE = NONE



1630 McCarthy Blvd.  
Milpitas, CA 95035  
Phone: (408)432-1900 www.linear.com  
Fax: (408)434-0507  
LTC Confidential-For Customer Use Only

TITLE: SCHEMATIC

LOW PHASE NOISE, TRIPLE OUTPUT CLOCK  
DISTRIBUTION DIVIDER/ DRIVER

SIZE	IC NO.	REV.
N/A	LTC6954IUHF-1/-2/-3/-4 DEMO CIRCUIT 1954A	2

DATE: 10/03/2013, 10:30 AM

SHEET 2 OF 2