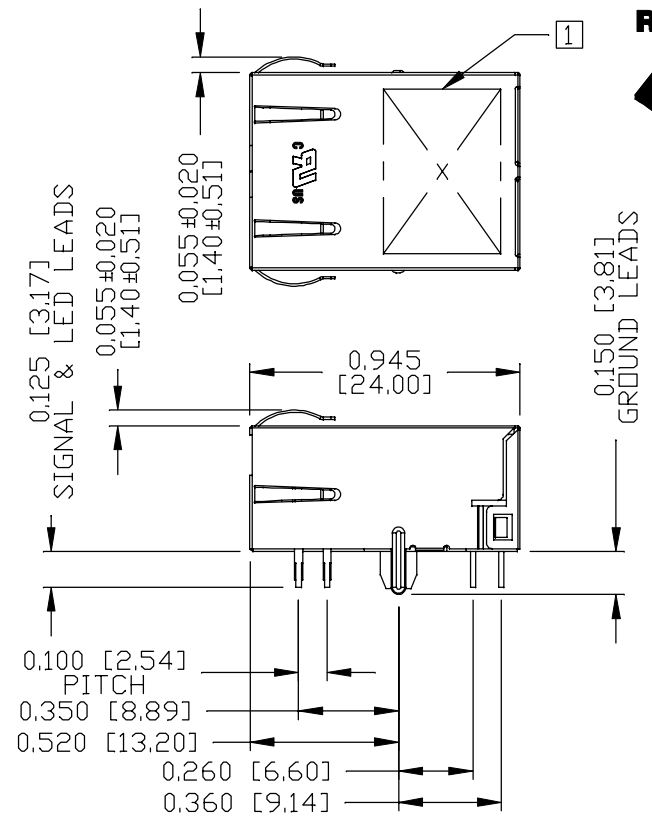
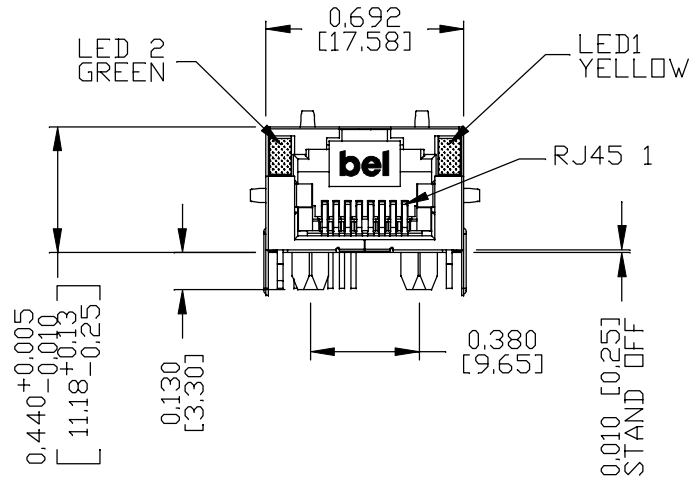




THE INFORMATION CONTAINED HEREIN IS CONSIDERED "PROPRIETARY" TO BEL FUSE INC. AND SHALL NOT BE COPIED, REPRODUCED OR DISCLOSED WITHOUT THE WRITTEN APPROVAL OF BEL FUSE INC.

PRELIMINARY



NOTES:

- PLASTIC HOUSING: THERMOPLASTIC PA, BLACK  
FLAMMABILITY RATING UL 94V-0
- CONTACTS: 50 MICRO-INCH HARD GOLD PLATING OR EQUIVALENT.
- OUTPUT PINS: TIN-COATED COPPER WIRE, DIA 0.018 INCH.  
100 MICRO-INCH MIN MATTE TIN.  
PINS ARE SOLDER DIPPED.
- METAL SHIELD: NICKEL PLATED ON COPPER ALLOY.  
(ALL GROUND LEADS ARE SOLDER DIPPED)

- MARK PART WITH MFG. LOGO, MFG. NAME, PART NUMBER, DATE CODE AND PATENTED.
- THE PRODUCT IS RoHS COMPLIANT WITH NO EXEMPTION AND HALOGEN FREE.
- JACK CAVITY CONFORMS TO FCC RULES AND REGULATIONS, PART 68 SUBPART F.
- THE PRODUCT IS PATENTED. THE PATENT NUMBER IS U.S. PAT. 6,840,817.
- THE PART IS RECOMMENDED FOR WAVE SOLDERING. THE SUGGESTED PEAK WAVE SOLDERING CONDITION IS 260°C MAX AND 10 SECONDS MAX.
- THE PRODUCT IS DESIGNED TO BE COMPATIBLE WITH THE SAE/USCAR2-6 STANDARD, TEMPERATURE CLASS T2, SEALING CLASS S1 AND VIBRATION CLASS V1.

UL RECOGNIZED - FILE #E196366 AND E169987.

ORIGINATED BY ANTON LIAD DATE 2018-10-09	TITLE 10/100 MagJack® (Ultra Low Profile) Automotive temperature A829-1A1T-91B PATENTED	PART NO. / DRAWING NO. A829-1A1T91B	STANDARD DIM.		[ ] METRIC DIM.	
			TOL. IN INCH		AS REF.	
			.X		UNIT : INCH [mm]	
DRAWN BY LI QUANKUN DATE 2018-10-09		FILE NAME A829-1A1T91B_PA.DWG	.XX		SCALE : N/A	
			.XXX	±0.010		SIZE : A4

REV. : PA      PAGE : 3

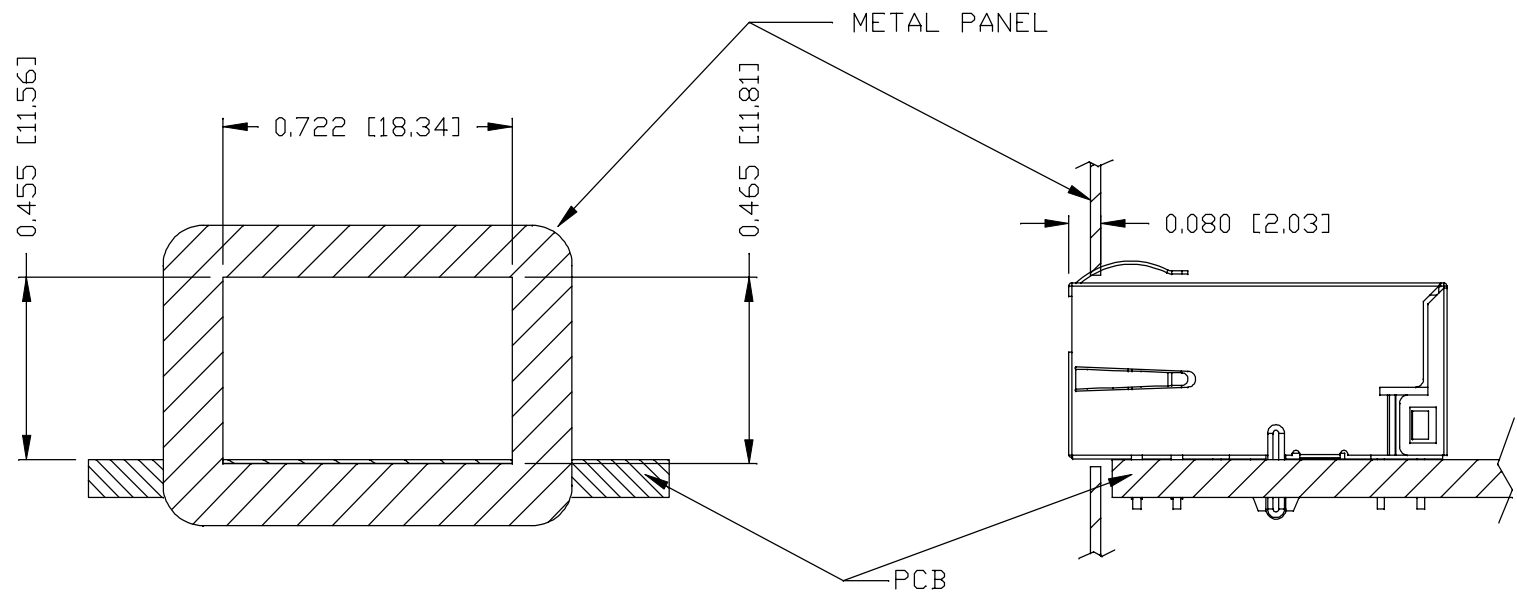
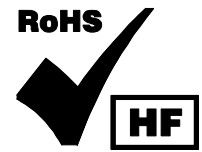
a bel group



THE INFORMATION CONTAINED HEREIN IS CONSIDERED "PROPRIETARY" TO BEL FUSE INC. AND SHALL NOT BE COPIED, REPRODUCED OR DISCLOSED WITHOUT THE WRITTEN APPROVAL OF BEL FUSE INC.

SUGGESTED PANEL OPENING

PRELIMINARY



NOTE:

THE DISTANCE OF PANEL INSIDE SURFACE RELATIVE TO FRONT SURFACE OF PART IS ONLY A SUGGESTION. IN CASE THIS DISTANCE IS DIFFERENT, THE REQUIRED PANEL OPENING DIMENSIONS CHANGE ACCORDINGLY.

TRAY PACKING INFORMATION

PACKING TRAY : 0200-9999-E4 (TOP)  
0200-9999-E5 (BOTTOM)

PACKING QUANTITY : 60 PCS FINISHED GOODS PER TRAY  
11 TRAYS (660 PCS FINISHED GOODS) PER CARTON BOX

NOTE : CARDBOARDS ARE PLACED BETWEEN LAYERS OF PACKING TRAY INSIDE CARTON BOX  
(INCLUDE THE UPPERMOST AND LOWERMOST TRAY)

ORIGINATED BY ANTON LIAD DATE 2018-10-09		TITLE 10/100 MagJack® (Ultra Low Profile) Automotive temperature A829-1A1T-91B PATENTED	PART NO. / DRAWING NO. A829-1A1T91B		STANDARD DIM. [ ] METRIC DIM. TOL. IN INCH AS REF.		REV. : PA	PAGE : 5
DRAWN BY LI QUANKUN DATE 2018-10-09			FILE NAME A829-1A1T91B_PA.DWG		.X	UNIT : INCH [mm]		
					.XX	SCALE : N/A		
				.XXX	±0.005	SIZE : A4		