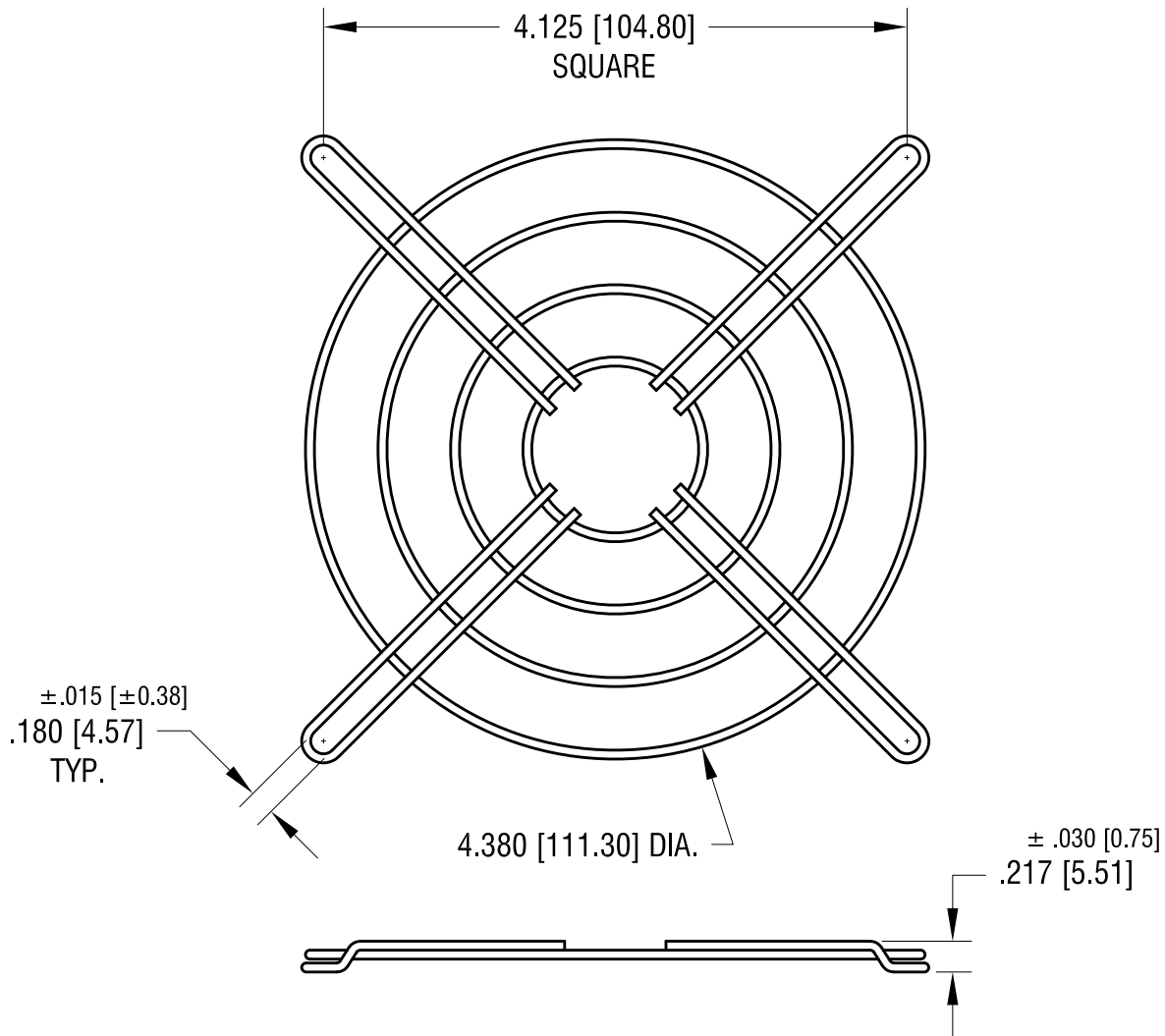


THIS DOCUMENT IS THE PROPERTY OF
KEYSTONE ELECTRONICS CORP. AND
SHALL NOT BE REPRODUCED, DISTRIBUTED
OR USED AS A BASIS FOR MANUFACTURE
WITHOUT PRIOR WRITTEN PERMISSION
FROM KEYSTONE ELECTRONICS CORP.



NOTES:

- 1. RINGS: .063 [1.60] DIA.
RIBS: .063 [1.60] DIA.
- 2. FINISH - NICKEL CHROME PLATE

KEYSTONE ELECTRONICS CORP.			
www.keyelco.com • NEW HYDE PARK, NY 11040 • Tel (516) 328-7500			
PART NAME		FAN/FINGER GUARD (120MM)	
MATERIAL		STEEL	
FINISH		DRN BY	DATE
AS NOTED		BOONE	8.08.05
		APP'D	SCALE
		LN	.75X
TOLERANCES	INCH	[MM]	CODE
DECIMAL	± .020	[± 0.50]	C
ANGULAR	± 1°		
UNLESS OTHERWISE SPECIFIED			
DWG NO.		8448	

DATE	DESCRIPTION	REV.