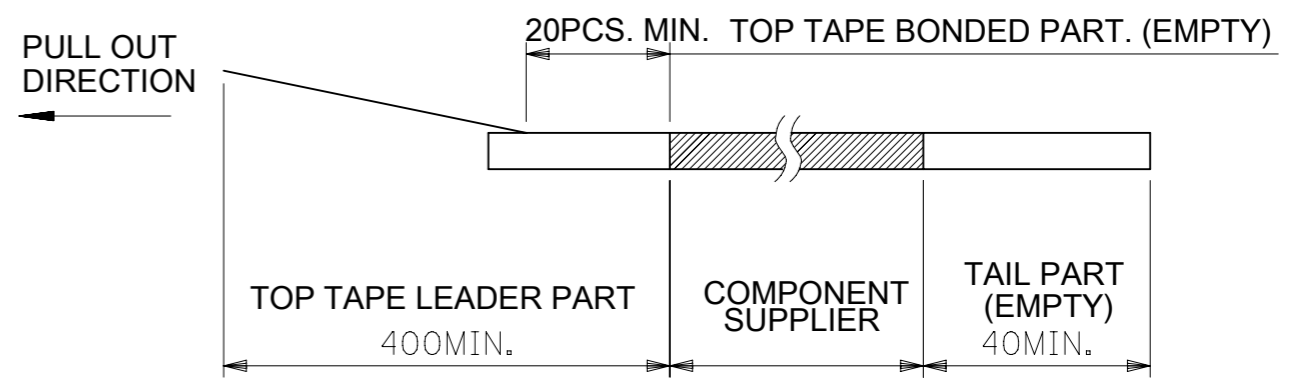
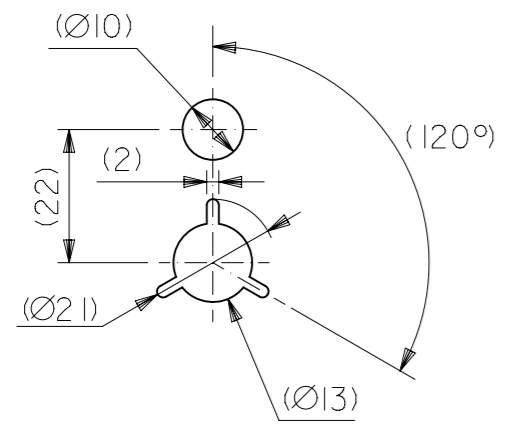


NOTES

1. DETAIL DIMENSIONS, SEE PRODUCT DRAWING.
2. NUMBER OF CONNECTORS : 8000PCS/REEL
3. LEAD TAPE LENGTH



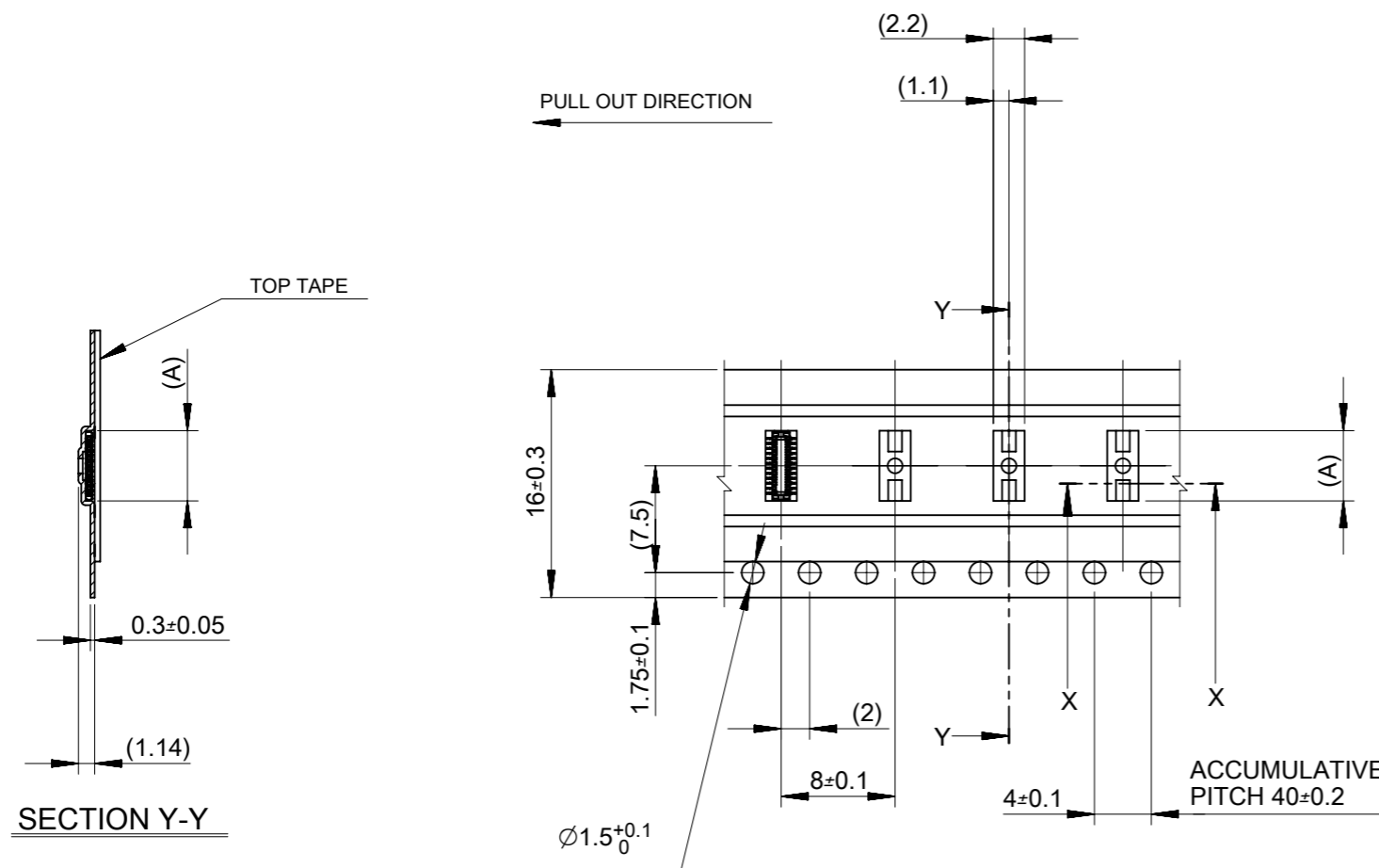
4. TOP TAPE PEEL FORCE IS DEFINED BY IEC60286-3.
5. MATERIAL
 CARRIER TAPE : POLYSTYRENE
 TOP TAPE : PET , OTHER
 REEL : POLYSTYRENE (PS) <RECYCLE MATERIAL CONTAINED>



DETAIL "D"

MODEL NO. 504622-**12

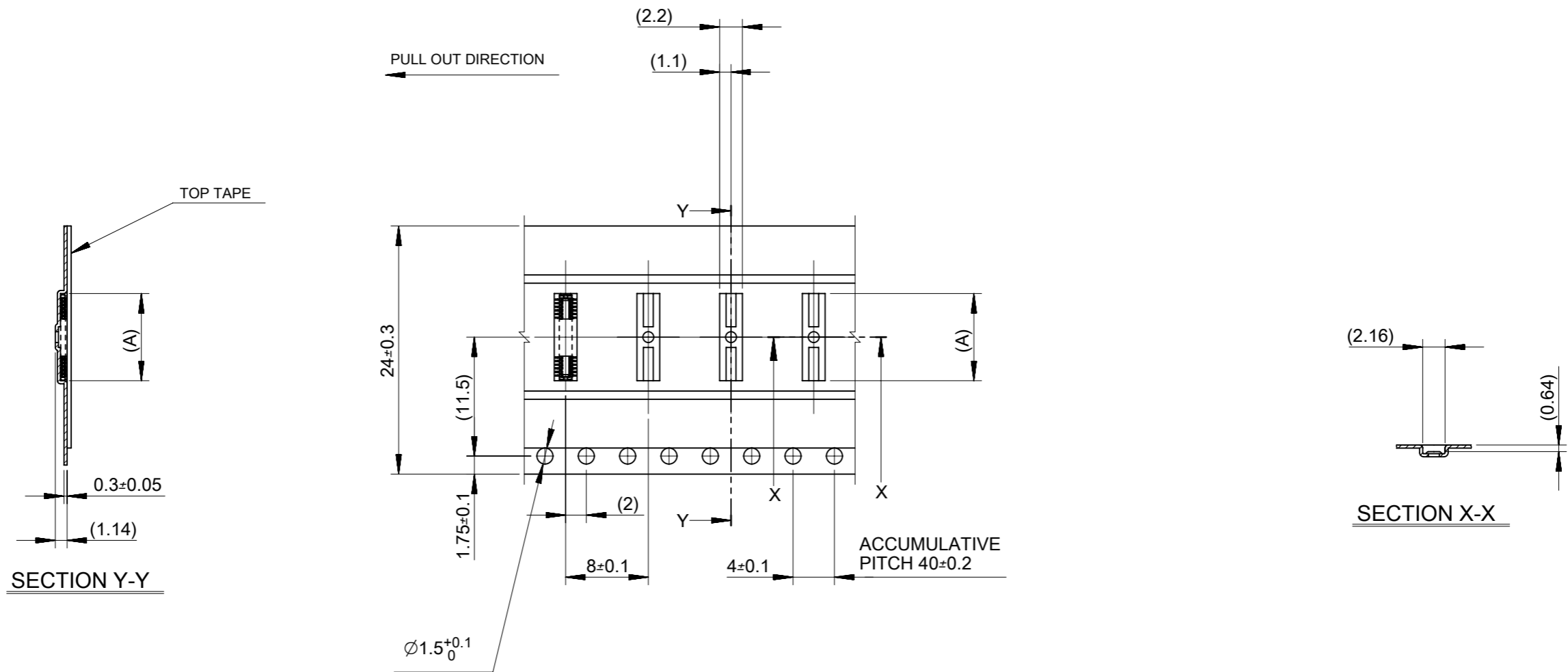
| | | | | | | | | | | |
|---|-----------------------|------------|---------------------------------------|-------------|-----------------|---------------------------------|--|----------|----------|--------------|
| THIS DRAWING CONTAINS INFORMATION THAT IS PROPRIETARY TO MOLEX ELECTRONIC TECHNOLOGIES, LLC AND SHOULD NOT BE USED WITHOUT WRITTEN PERMISSION | | | | | | | | | | |
| RELEASED | EC NO. 115186 | 2017/03/29 | GENERAL TOLERANCES (UNLESS SPECIFIED) | | DIMENSION UNITS | SCALE | <p>0.35 BB CONN. H=0.6 SSB6 PLUG ASSY EMBSTP PKG</p> <p>PRODUCT CUSTOMER DRAWING</p> | | | |
| | DRWN: TNISHIDA02 | 2017/03/31 | ANGULAR TOL ± ° | | MM | 1:5 | | | | |
| | CHK'D: KTANAKA03 | 2017/04/03 | 4 PLACES ± | ° | DRWN BY | DATE | | | | |
| | REV APPR: TKUSUHARA01 | | 3 PLACES ± | | TNISHIDA02 | 2017/03/29 | | | | |
| | | | 2 PLACES ± | | CHK'D BY | DATE | | | | |
| | | | 1 PLACE ± | | KTANAKA03 | 2017/03/31 | | | | |
| | | 0 PLACES ± | | APPR BY | DATE | | | | | |
| | | | | TKUSUHARA01 | 2017/04/03 | SERIES MATERIAL NUMBER CUSTOMER | | | | |
| | | | | | | 504622 | SEE CHART | GENERAL | | |
| | | | | | | DOCUMENT NUMBER | | DOC TYPE | DOC PART | SHEET NUMBER |
| | | | | | | 5046220000 | | PSD | 004 | 1 OF 3 |



| | | | | | | | | |
|----------------------------------|------|------|------|--|-----------------------|----------------|---------------|---------|
| 16 | 21.4 | 17.4 | 6.68 | 504622-3012 | ○ | --- | 30 | |
| | | | 5.63 | 504622-2412 | ○ | --- | 24 | |
| | | | 4.93 | 504622-2012 | ○ | --- | 20 | |
| | | | 4.58 | --- | --- | --- | 18 | |
| | | | 4.23 | --- | --- | --- | 16 | |
| | | | 3.53 | --- | --- | --- | 12 | |
| | | | 3.18 | 504622-1012 | ○ | --- | 10 | |
| | | | 2.48 | --- | --- | --- | 6 | |
| キャリアテープ幅 CARRIER TAPE WIDTH | | C | B | (A) | EMBOSSED TAPE PACKAGE | HIGH VOL. TOOL | LOW VOL. TOOL | CIRCUIT |
| ORDER NO. | | | | SAMPLE PREPARATION ○ : TOOLED △ : WORK IN PROCESS --- : TOOLING TO BE CONFIRMED | | | | |
| CONNECTOR SERIES No.:504622-**09 | | | | | | | | |

THIS DRAWING CONTAINS INFORMATION THAT IS PROPRIETARY TO MOLEX ELECTRONIC TECHNOLOGIES, LLC AND SHOULD NOT BE USED WITHOUT WRITTEN PERMISSION

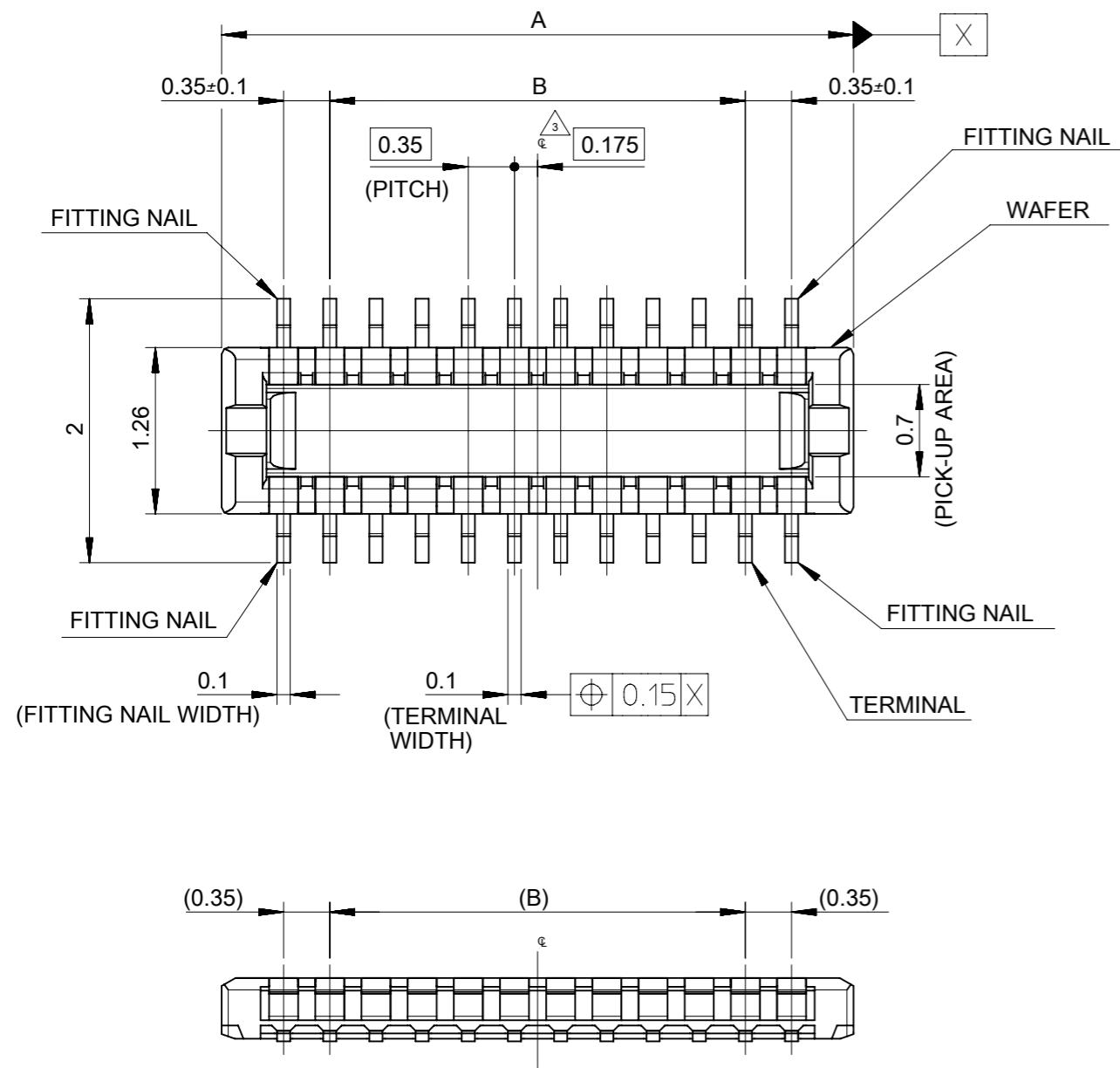
| | | | | | | |
|--|--|---|---|--|--|--|
| EC NO: 115186 DRWN: TNISHIDA02 CHK'D: KTANAKA03 APPR: TKUSUHARA01 | 2017/03/29 2017/03/31 2017/04/03 | GENERAL TOLERANCES (UNLESS SPECIFIED) ANGULAR TOL ± ° 4 PLACES ± 3 PLACES ± 2 PLACES ± 1 PLACE ± 0 PLACES ± | DIMENSION UNITS: MM SCALE: 2:1 | | | |
| | DRWN BY: TNISHIDA02 DATE: 2017/03/29 | CHK'D BY: KTANAKA03 DATE: 2017/03/31 | APPR BY: TKUSUHARA01 DATE: 2017/04/03 | | 0.35 BB CONN. H=0.6 SSB6 PLUG ASSY EMBSTP PKG | |
| | DRAFT WHERE APPLICABLE MUST REMAIN WITHIN DIMENSIONS | | | | DRAWING SIZE: A3 THIRD ANGLE PROJECTION | PRODUCT CUSTOMER DRAWING |
| | SERIES: 504622 | MATERIAL NUMBER: SEE CHART | CUSTOMER: GENERAL | | DOCUMENT NUMBER: 5046220000 | DOC TYPE: PSD DOC PART: 004 SHEET NUMBER: 2 OF 3 |
| | RELEASED | EC NO: 115186 DRWN: TNISHIDA02 CHK'D: KTANAKA03 APPR: TKUSUHARA01 | GENERAL TOLERANCES (UNLESS SPECIFIED) ANGULAR TOL ± ° 4 PLACES ± 3 PLACES ± 2 PLACES ± 1 PLACE ± 0 PLACES ± | | DIMENSION UNITS: MM SCALE: 2:1 | 0.35 BB CONN. H=0.6 SSB6 PLUG ASSY EMBSTP PKG |



| | | | | | | | | | | |
|----------------------------------|------|------|-------|-------------|-----|-----------------------|--|---------------|---------|--|
| 24 | 29.4 | 25.4 | 13.68 | 504622-7012 | ○ | --- | 70 | | | |
| | | | 12.63 | 504622-6412 | ○ | --- | 64 | | | |
| | | | 11.93 | --- | --- | --- | 60 | | | |
| | | | 11.58 | --- | --- | --- | 58 | | | |
| | | | 10.88 | --- | --- | --- | 54 | | | |
| | | | 10.18 | 504622-5012 | ○ | --- | 50 | | | |
| | | | 9.83 | --- | --- | --- | 48 | | | |
| | | | 8.78 | --- | --- | --- | 42 | | | |
| | | | 8.43 | 504622-4012 | ○ | --- | 40 | | | |
| | | | 8.08 | --- | --- | --- | 38 | | | |
| | | | 7.38 | 504622-3412 | ○ | --- | 34 | | | |
| キャリアテープ幅 CARRIER TAPE WIDTH | | | C | B | (A) | EMBOSSED TAPE PACKAGE | HIGH VOL. TOOL | LOW VOL. TOOL | CIRCUIT | |
| | | | | | | ORDER NO. | SAMPLE PREPARATION ○ : TOOLED △ : WORK IN PROCESS --- : TOOLING TO BE CONFIRMED | | | |
| CONNECTOR SERIES No.:504622-**09 | | | | | | | | | | |

THIS DRAWING CONTAINS INFORMATION THAT IS PROPRIETARY TO MOLEX ELECTRONIC TECHNOLOGIES, LLC AND SHOULD NOT BE USED WITHOUT WRITTEN PERMISSION

| | | | | | | | |
|--|-----------------|------------------------|--------------|---|-----------------|------------|--|
| EC NO: 115186 DRWN: TNISHIDA02 CHK'D: KTANAKA03 APPR: TKUSUHARA01 | 2017/03/29 | 2017/03/31 | 2017/04/03 | GENERAL TOLERANCES (UNLESS SPECIFIED) ANGULAR TOL ± ° 4 PLACES ± 3 PLACES ± 2 PLACES ± 1 PLACE ± 0 PLACES ± DRAFT WHERE APPLICABLE MUST REMAIN WITHIN DIMENSIONS | DIMENSION UNITS | SCALE | |
| | RELEASED | | | | MM | 2:1 | |
| | DRWN BY | DATE | | | TNISHIDA02 | 2017/03/29 | |
| | CHK'D BY | DATE | | | KTANAKA03 | 2017/03/31 | |
| | APPR BY | DATE | | | TKUSUHARA01 | 2017/04/03 | |
| | DRAWING SIZE | THIRD ANGLE PROJECTION | | | A3 | | |
| PRODUCT CUSTOMER DRAWING 0.35 BB CONN. H=0.6 SSB6 PLUG ASSY EMBSTP PKG | | | | | | | |
| SERIES | MATERIAL NUMBER | CUSTOMER | | | | | |
| 504622 | SEE CHART | GENERAL | | | | | |
| DOCUMENT NUMBER | DOC TYPE | DOC PART | SHEET NUMBER | | | | |
| 5046220000 | PSD | 004 | 3 OF 3 | | | | |



| | | | | | |
|------------|------------|--|----------------|---------------|---------|
| 11.90±0.25 | 13.54±0.25 | 504622-7012 | ○ | --- | 70 |
| 10.85±0.25 | 12.49±0.25 | 504622-6412 | ○ | --- | 64 |
| 10.15±0.25 | 11.79±0.25 | --- | --- | --- | 60 |
| 9.80 | 11.44±0.25 | --- | --- | --- | 58 |
| 9.10 | 10.74±0.25 | --- | --- | --- | 54 |
| 8.40 | 10.04±0.25 | 504622-5012 | ○ | --- | 50 |
| 8.05 | 9.69 | --- | --- | --- | 48 |
| 7.00 | 8.64 | --- | --- | --- | 42 |
| 6.65 | 8.29 | 504622-4012 | ○ | --- | 40 |
| 6.30 | 7.94 | --- | --- | --- | 38 |
| 5.60 | 7.24 | 504622-3412 | ○ | --- | 34 |
| 4.90 | 6.54 | 504622-3012 | ○ | --- | 30 |
| 3.85 | 5.49 | 504622-2412 | ○ | --- | 24 |
| 3.15 | 4.79 | 504622-2012 | ○ | --- | 20 |
| 2.80 | 4.44 | --- | --- | --- | 18 |
| 2.45 | 4.09 | --- | --- | --- | 16 |
| 1.75 | 3.39 | --- | --- | --- | 12 |
| 1.40 | 3.04 | 504622-1012 | ○ | --- | 10 |
| 0.70 | 2.34 | --- | --- | --- | 6 |
| B | A | EMBOSSED TAPE PACKAGE | HIGH VOL. TOOL | LOW VOL. TOOL | CIRCUIT |
| ORDER NO. | | SAMPLE PREPARATION ○ : TOOLED △ : WORK IN PROCESS --- : TOOLING TO BE CONFIRMED | | | |

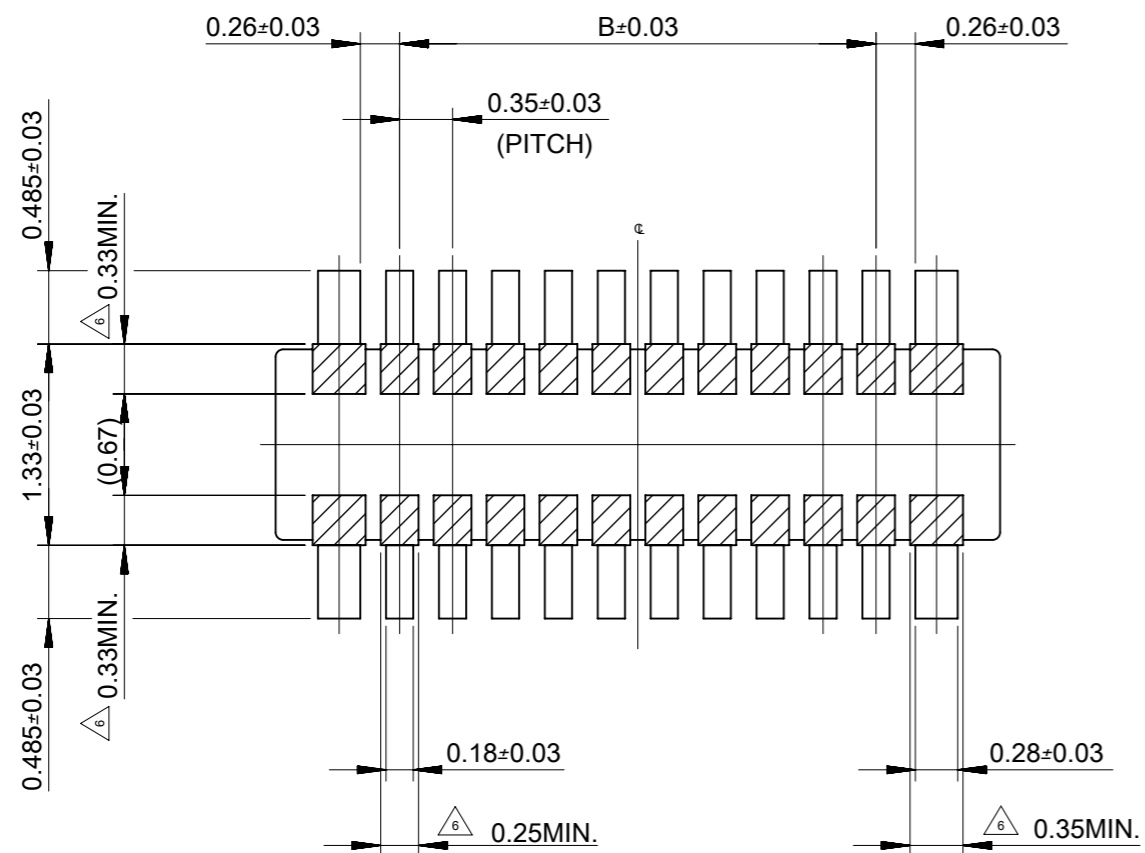
NOTES

- MATERIAL**
 WAFER : LIQUID CRYSTAL POLYMER UL94V-0(COLOR : BLACK)
 PIN : COPPER ALLOY
 FITTING NAIL : COPPER ALLOY
- PLATING**
TERMINAL
 GOLD
 UNDER PLATING : NICKEL
 *DIVIDE INTO PARTS THE GOLD PLATING OF THE CONTACT AND THE TAIL PART BY THE NICKEL PLATING.
FITTING NAIL
 GOLD
 UNDER PLATING : NICKEL
- △ APPLY FOR (CIRCUIT/2)=EVEN.
- MATE WITH : 504618-**12
- TAIL AND FITTING NAIL COPLANARITY TO BE 0.08MAXIMUM.
- △ PROHIBITED AREA OF PATTERN WIRING AND SOLDER.
 (FOR EACH AREA, THE WIRING THAT TOUCHES ON THE SOLDER CAN BE ATTACHED, THEN COVERED WITH A FILM TO KEEP SOLDER OUT.)
- ELECTRIC SPEC OF FITTING NAIL IS NOT GUARANTEED WHEN MATED.

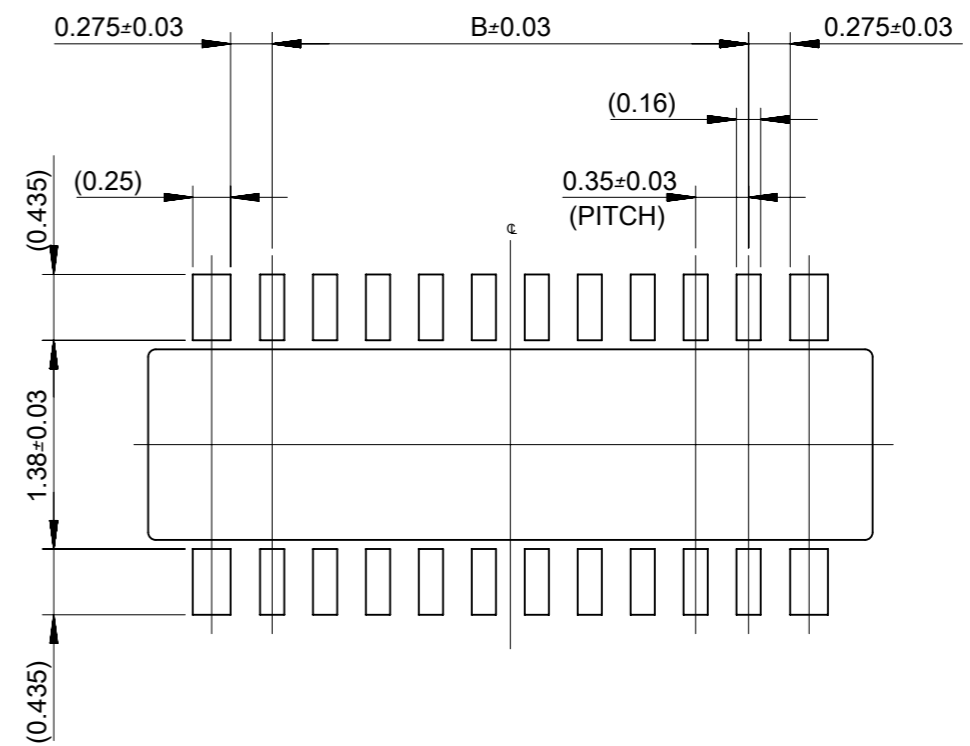
CONNECTOR SERIES No. : 504622-**09

THIS DRAWING CONTAINS INFORMATION THAT IS PROPRIETARY TO MOLEX ELECTRONIC TECHNOLOGIES, LLC AND SHOULD NOT BE USED WITHOUT WRITTEN PERMISSION

| | | | | | | | | | |
|----------|-----------------------|--|-----------------|------------------------|---------------------------------------|--|----------|----------|--------------|
| RELEASED | EC NO: 115186 | GENERAL TOLERANCES (UNLESS SPECIFIED) | DIMENSION UNITS | SCALE | molex® | | | | |
| | DRWN: TNISHIDA02 | ANGULAR TOL ± 1.0 ° | MM | 20:1 | | | | | |
| | CHK'D: KTANAKA03 | 4 PLACES ± 0.2 | DRWN BY | DATE | 0.35 BB CONN. H=0.6 SSB6 PLUG ASSY | | | | |
| | REV APPR: TKUSUHARA01 | 3 PLACES ± 0.2 | TNISHIDA02 | 2017/03/29 | | | | | |
| | | 2 PLACES ± 0.2 | CHK'D BY | DATE | PRODUCT CUSTOMER DRAWING | | | | |
| | | 1 PLACE ± 0.2 | KTANAKA03 | 2017/03/31 | | | | | |
| | | 0 PLACES ± 0.2 | APPR BY | DATE | SERIES MATERIAL NUMBER CUSTOMER | | | | |
| | | DRAFT WHERE APPLICABLE MUST REMAIN WITHIN DIMENSIONS | TKUSUHARA01 | 2017/04/03 | | | | | 504622 |
| | | | DRAWING SIZE | THIRD ANGLE PROJECTION | DOCUMENT NUMBER | | DOC TYPE | DOC PART | SHEET NUMBER |
| | | | A3 | | 5046221000 | | PSD | 003 | 1 OF 2 |

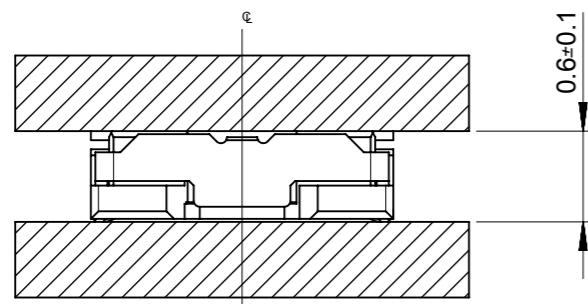


RECOMMENDED P.W.BOARD PATTERN LAYOUT(REFERENCE)



RECOMMENDED METAL MASK LAYOUT(REFERENCE)

RECOMMENDED THICKNESS OF METAL MASK : $t=0.08\text{mm}$
 RECOMMENDED OPEN APERTURE RATIO OF METAL MASK : 80%



MATED CONDITION

THIS DRAWING CONTAINS INFORMATION THAT IS PROPRIETARY TO MOLEX ELECTRONIC TECHNOLOGIES, LLC AND SHOULD NOT BE USED WITHOUT WRITTEN PERMISSION

| | | | | | | | |
|--|--|---|--|---|---|--------------------------|---------------------------------------|
| EC NO: 115186 DRWN: TNISHIDA02 CHK'D: KTANAKA03 APPR: TKUSUHARA01 | 2017/03/29 2017/03/31 2017/04/03 | GENERAL TOLERANCES (UNLESS SPECIFIED) ANGULAR TOL ± 1.0 ° 4 PLACES ± 0.2 3 PLACES ± 0.2 2 PLACES ± 0.2 1 PLACE ± 0.2 0 PLACES ± 0.2 | DIMENSION UNITS: MM SCALE: 20:1 | | | | |
| | DRWN BY: TNISHIDA02 DATE: 2017/03/29 | DRIFT WHERE APPLICABLE MUST REMAIN WITHIN DIMENSIONS | DRAWING SIZE: A3 THIRD ANGLE PROJECTION | | | | 0.35 BB CONN. H=0.6 SSB6 PLUG ASSY |
| | CHK'D BY: KTANAKA03 DATE: 2017/03/31 | PRODUCT CUSTOMER DRAWING | DRAWING SIZE: A3 THIRD ANGLE PROJECTION | SERIES: 504622 MATERIAL NUMBER: SEE CHART CUSTOMER: GENERAL | PRODUCT CUSTOMER DRAWING | | |
| | APPR BY: TKUSUHARA01 DATE: 2017/04/03 | DRAFT WHERE APPLICABLE MUST REMAIN WITHIN DIMENSIONS | DRAWING SIZE: A3 THIRD ANGLE PROJECTION | DOCUMENT NUMBER: 5046221000 DOC TYPE: PSD DOC PART: 003 SHEET NUMBER: 2 OF 2 | PRODUCT CUSTOMER DRAWING | | |
| | A | REV | DRAFT WHERE APPLICABLE MUST REMAIN WITHIN DIMENSIONS | DRAWING SIZE: A3 THIRD ANGLE PROJECTION | DOCUMENT NUMBER: 5046221000 DOC TYPE: PSD DOC PART: 003 SHEET NUMBER: 2 OF 2 | PRODUCT CUSTOMER DRAWING | |