

THIS DRAWING IS UNPUBLISHED.

RELEASED FOR PUBLICATION

20

© COPYRIGHT 20 BY -

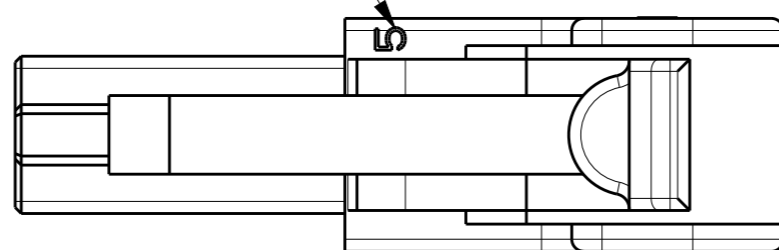
ALL RIGHTS RESERVED.

LOC - DIST -

REVISIONS

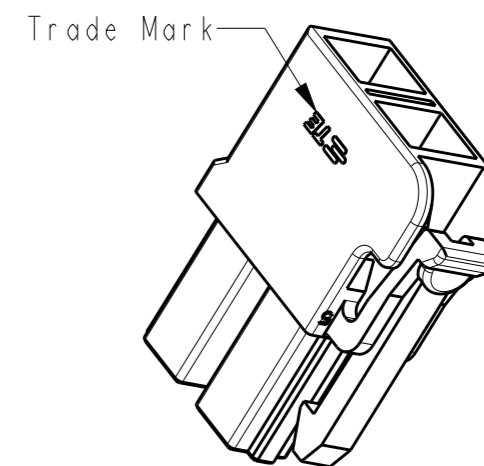
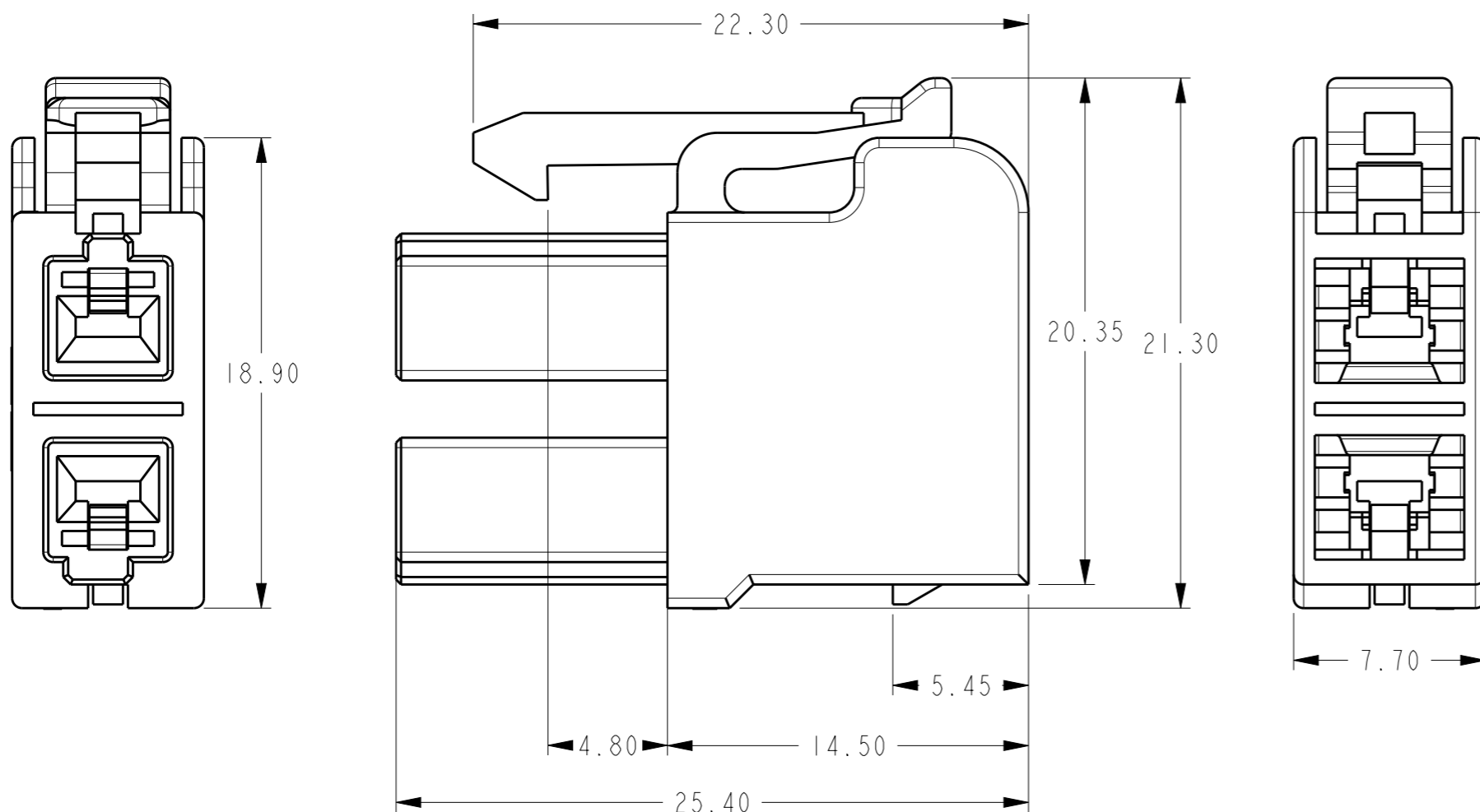
P	LTR	DESCRIPTION	DATE	DWN	APVD
	A	RELEASE	19AUG2011	R.C	E.K
	A1	ADD "GWT REQUIREMENTS" IN NOTE 6.	11OCT2012	D.Z	YH.M
	B	REVISED PER ECR-19-015245	01OCT2019	M.G	D.Z

CIRCUIT NO.



NOTE

- 1 MATERIAL: THERMOPLASTIC, UL94 V-0
COLOR: NATURAL
- 2 PRODUCT SPEC: 108-106071
- 3 APPLICABLE CONTACT P/N:
REC CONTACT: 1983663/4-1
- 4 MATING CONN. P/N:
HSG: 1983658-1
- 5 APPLICABLE DOUBLE LOCK PLATE P/N: 1983665-1
- 6. PRODUCT COMPLY WITH GLOW WIRE REQUIREMENTS FOR PARTS OF NON-METALLIC MATERIAL SUPPORTING A CURRENT-CARRYING CONNECTION DETAILED IN IEC 60335-1, SECTION 30 (GWT).



PART NUMBER 1983660-1

THIS DRAWING IS A CONTROLLED DOCUMENT.

DWN 19AUG2011 RICHARD CHEN

CHK 19AUG2011 HAPYE WU

APVD 19AUG2011 ERIC KONG

PRODUCT SPEC 108-106071

APPLICATION SPEC 114-106071

WEIGHT -

CUSTOMER DRAWING

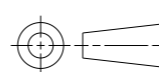
STE TE Connectivity

NAME 2P HOUSING MULTI 6P CONNECTOR

SIZE A3 CAGE CODE 00779 DRAWING NO. C-1983660 RESTRICTED TO

SCALE 4:1 SHEET 1 OF 1 REV B

DIMENSIONS: mm



TOLERANCES UNLESS OTHERWISE SPECIFIED:	
0 PLC	±-
1 PLC	±-
2 PLC	±0.30
3 PLC	±-
4 PLC	±-
ANGLES	±2°
FINISH	-

MATERIAL NOTE 1