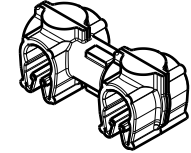
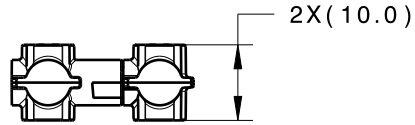
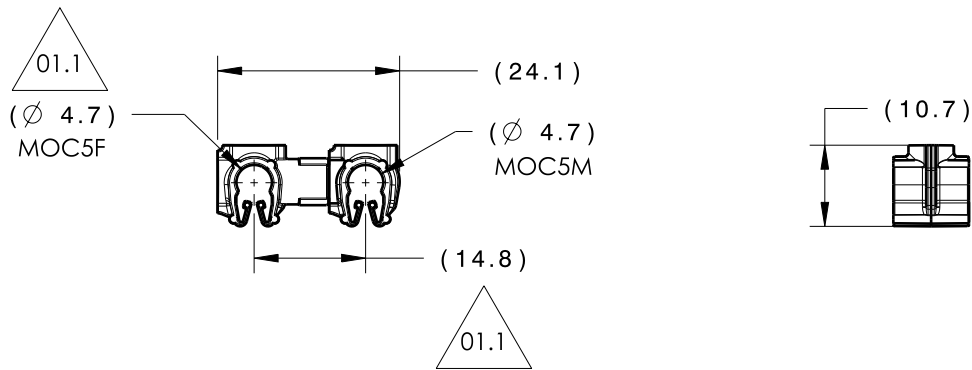


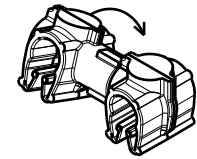
Revision Level			Revision Record	Changed	Date	Approved	Date
Drawing	State	Part					
01.2	Design Release		SEE ECN# 014403	FDS	4/20/18	EJH	4/20/18



ISOMETRIC VIEW



CLIPS ROTATE 360 DEGREES



ISOMETRIC VIEW ROTATED

TYPE	MOC5F	MOC5M
HARNESS	4.5MM-5.3MM	4.5MM-5.3MM
HOSE	4.0MM-5.3MM	4.0MM-5.3MM
HARD PIPE/TUBE	4.8MM-5.5MM	4.8MM-5.5MM

\*RECOMMENDED SIZES MAY DIFFER DEPENDING ON THE APPLICATION, PRODUCT REQUIREMENTS AND MATERIALS USED

GLOBAL PART DESCRIPTION 	MOC5F			MOC5M		
	DRAWING	MATERIAL	COLOR	DRAWING	MATERIAL	COLOR
MOC5FMOC5M-PA66HIRHSUV-BK	16-0313-000-CSU	PA66HIRHSUV	BLACK	16-0313-000-CSU	PA66HIRHSUV	BLACK

Material <b>SEE CHART</b> COLOR: SEE CHART	Units <b>millimeters</b>	The copyright of this drawing is reserved by HellermannTyton. It is issued on condition that it is not reproduced, copied or disclosed to a third party, either wholly or in part, without the consent of HellermannTyton.	Drawn <b>TAT</b> <b>2/20/17</b>	Article/Type-No <b>MOC5FMOC5M</b>	Scale <b>1:1</b>	
	Tolerance defined on each dimension		Approved <b>EJH</b> <b>2/28/17</b>	Title  <b>5MM MOC COUPLED TO A 5MM MOC</b>	Project Number <b>16-0326</b>	
			 North America Email: <a href="mailto:corp@htamericas.com">corp@htamericas.com</a> Web: <a href="http://www.hellermann.tyton.com">www.hellermann.tyton.com</a>		Drawing-No <b>16-0326-115-CSU</b>	Format <b>AH</b>
					PRODUCTION : Phase 	Sheet <b>1/1</b>