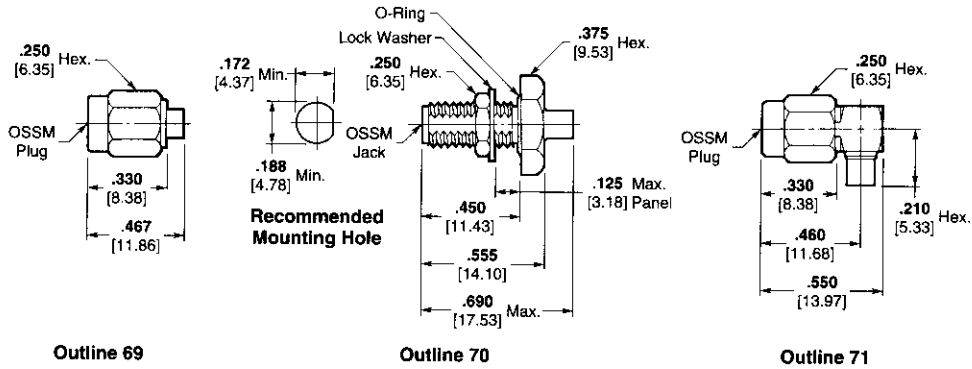


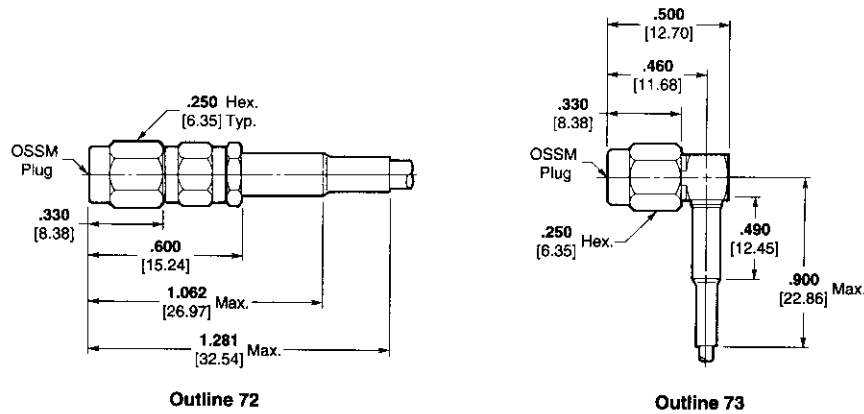
SSMA Connectors for Semi-Rigid Cable and Flexible Cable

Non-Captured Center Contact



DSCC Part Number	M/A-COM Part Number (Ref. Only)	Outline	Assembly Procedure 408-	RG/U Cable	AMP Part Number
86116ZSG	1001-5045-92	69	4622	405	1045358-1
86117ZSG	1004-5005-90	70	—	405	1045398-1
86118ZSG	1007-5015-92	71	4968	405	1045418-1

Captured Center Contact



DSCC Part Number	M/A-COM Part Number (Ref. Only)	Outline	Assembly Procedure 408-	RG/U Cable	AMP Part Number
86119ZSG	1031-5031-92	72	—	174, 316, 179	1045486-1
86120ZSG	1037-5032-92	73	4759	174, 316, 179	1045517-1

RF Connectors

\* Defense Electronics Supply Center, Dayton, Ohio