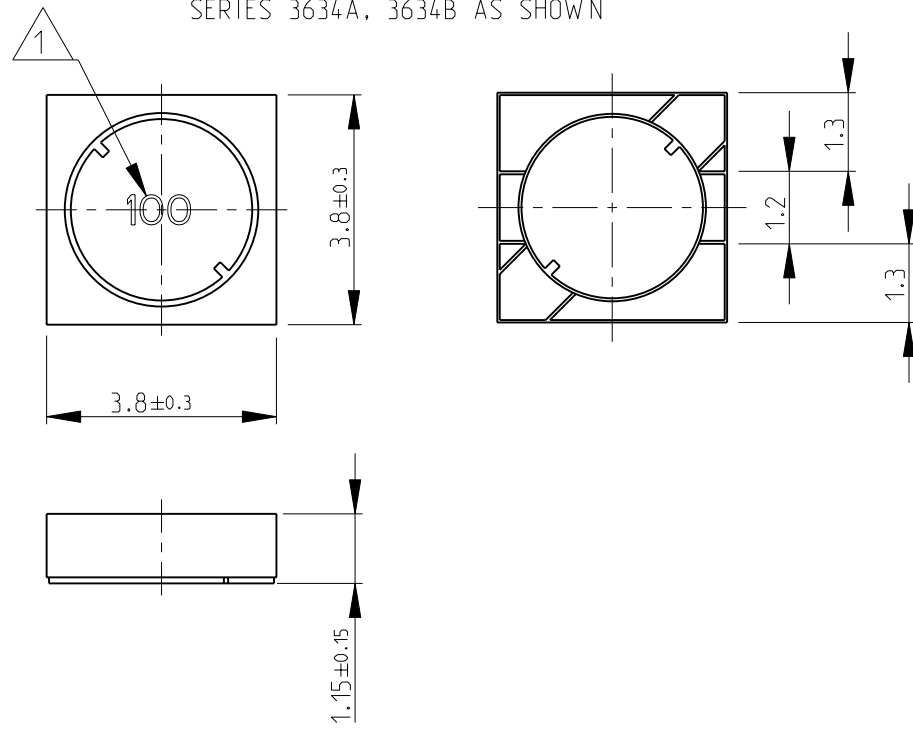


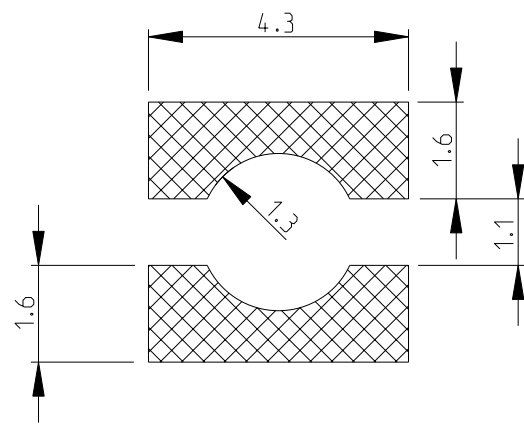
THIS DRAWING IS UNPUBLISHED. RELEASED FOR PUBLICATION 2008
 © COPYRIGHT 2008 BY TYCO ELECTRONICS CORPORATION. ALL RIGHTS RESERVED.

LOC	DIST	REVISIONS					
E	B	P	LTR	DESCRIPTION	DATE	DWN	APVD
		B		NEW RELEASE	14-NOV-08	SM	St.P

SERIES 3634A, 3634B AS SHOWN

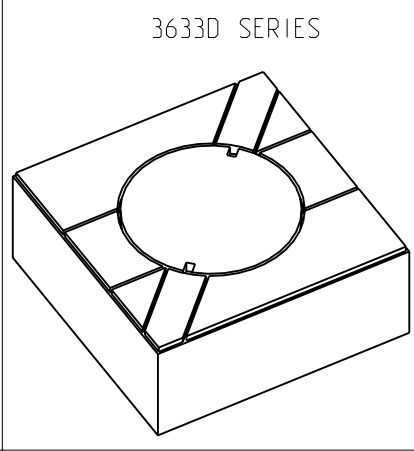
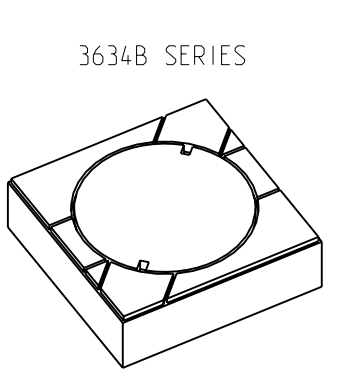
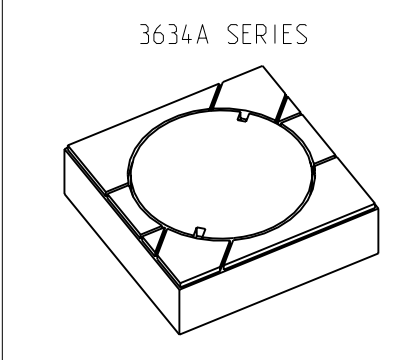


RECOMMENDED LAND PATTERN FOR 3634A, 3634B SERIES

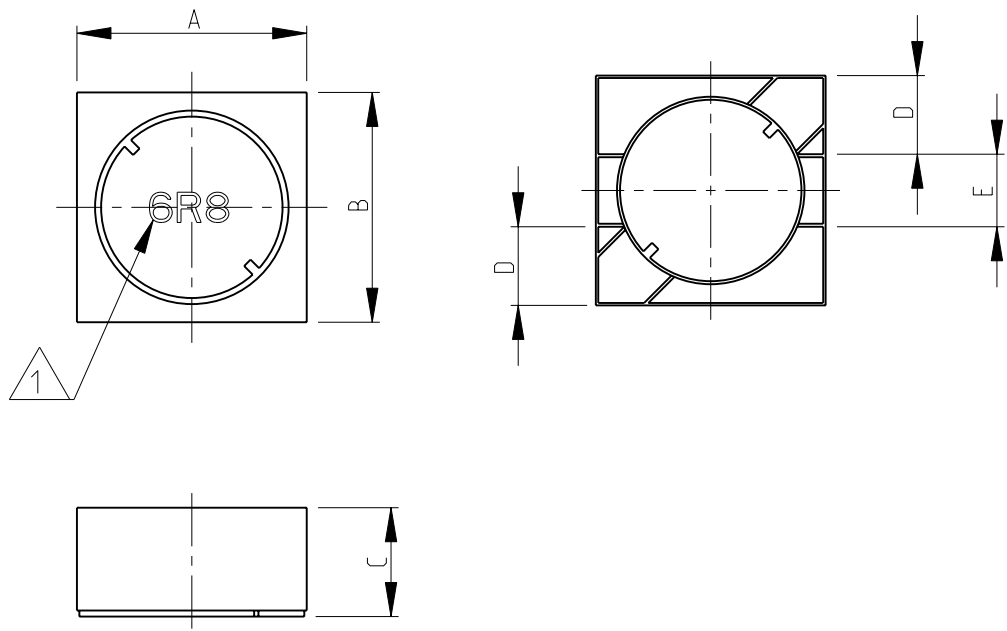


- 1 INDUCTANCE CODE
- 2 FOR FURTHER INFORMATION SEE DATA SHEET FOR 3634 SERIES-SHIELDED SMD POWER INDUCTORS

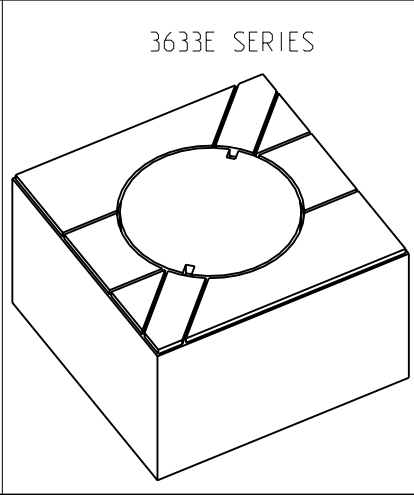
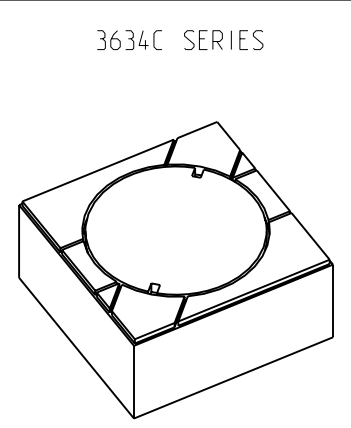
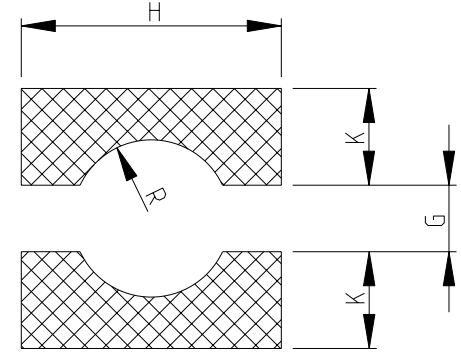
RoHS Compliant



SERIES 3634C, 3634D, 3634E AS SHOWN



RECOMMENDED LAND PATTERN FOR 3634C, 3634D, 3634E SERIES



3634E	4.80	4.80	3.00±0	1.60	1.60	1.50	5.30	2.00	1.80
3634D	4.80	4.80	2.00±0	1.60	1.60	1.50	5.30	2.00	1.80
3634C	3.80	3.80	1.80±0	1.30	1.20	1.10	4.30	1.60	1.30
SERIES	A±0.3	B±0.3	C	D TYP.	E TYP.	G REF.	H REF.	K REF.	R REF.

THIS DRAWING IS A CONTROLLED DOCUMENT FOR TYCO ELECTRONICS CORPORATION. IT IS SUBJECT TO CHANGE AND THE CONTROLLING ENGINEERING ORGANIZATION SHOULD BE CONTACTED FOR THE LATEST REVISION.	
DIMENSIONS:	TOLERANCES UNLESS OTHERWISE SPECIFIED:
mm	0 PLC ±0.2
	1 PLC ±0.1
	2 PLC ±
	3 PLC ±
	4 PLC ±
	ANGLES ±5°
MATERIAL	FINISH
-	-

DWN	SUBHASH.M	14-NOV-08
CHK	PRAKASH.S	14-NOV-08
APVD	STEPHEN.P	14-NOV-08
PRODUCT SPEC	-	-
APPLICATION SPEC	-	-
WEIGHT	-	-
CUSTOMER DRAWING		

		Tyco Electronics Corporation Dorcan, Swindon, SN3 5HH	
NAME SHIELDED SMD POWER INDUCTORS SERIES 3634			
SIZE	CAGE CODE	DRAWING NO	RESTRICTED TO
A3	00779	©=1676946	-
SCALE 8:1		SHEET 1 OF 1	REV B