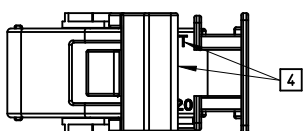


- NOTES**  
Bemerkung:
- 1 - RADII UNLESS SPECIFIED 0,3±0,1  
Nicht bemessene Radien 0,3±0,1
  - 2 - MOLEX ENTITY IDENTIFICATION "MXG"  
Molex Werk-Kennzeichnung "MXG"
  - 3 - MATERIAL MARK  
Materialkennzeichnung
  - 4 - CAVITY-NUMBER  
Nest-Nummer
  - 5 - PRODUCTION-CLOCK  
Produktionsuhr
  - 6 - TOOLING-REVISION  
Werkzeug-Revisionsstand
  - 7 - CIRCUIT-NUMBER  
Kammer-Nummer
  - 8 - CHARACTERS ACC. TO DIN 1451  
Schrift nach DIN 1451
  - 9 - PART FITS TO INTERFACE ACC. KEY1: SD-94240-003 AND KEY2: SD-94240-001  
Schnittstelle nach Zeichnung: Key1: SD-94240-003 und Key2: SD-94240-001
  - 10 - USED HOUSING-DRAWING: SD-98691-001  
Für Gehäuse-Zeichnung: SD-98691-001
  - 11 - LAST INSPECTION NUMBER: 23  
REMOVED: 16-19  
Letzte Maßidentifikationsnummer: 23  
entfernt: 16-19

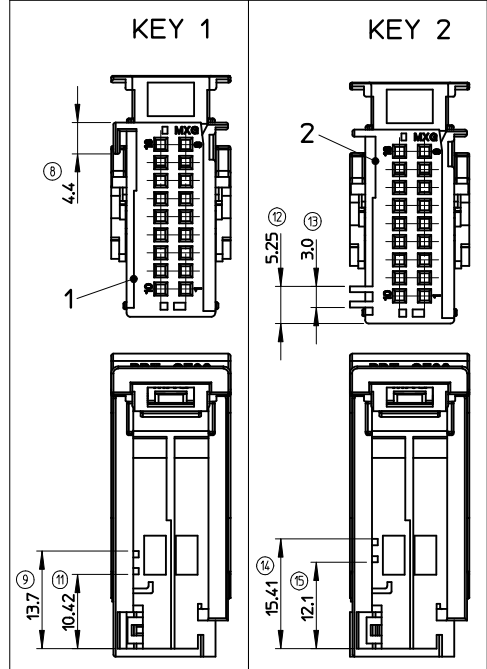
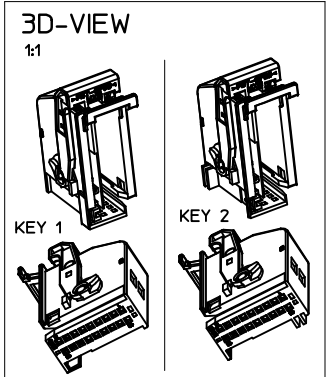
SLOT FOR MOX 9-CKT HOUSING  
SLOT FOR IDC-MODUL

DELIVERY STATE (LEVER IN CLOSED POSITION)



SHOWN VIEWS ARE: KEY 1 (98695-0001)  
Gezeichnete Ansichten: KEY 1 (98695-0001)

THEORETIC DIMENSION  
Theoretisches Maß



ITEM	KEY 1	KEY 2	AMOUNT (PCS)	MATERIAL NO.	DESCRIPTION	MATERIAL	COLOUR	WEIGHT (g)	SPECIFICS	PACKAGING
3	1	1		98693 0001	MOX LEV PBT RED	PBT-GF30	RED	(1,58)		
2	-	1		98692 0002	MOX RCPT CARR DR KEY2 PBT BLK 18CKT	PBT-GF20	BLACK	(5,00)		
1	1	-		98692 0001	MOX RCPT CARR DR KEY1 PBT GRY 18CKT	PBT-GF20	GREY	(5,00)		
				98695 0002	MOX RCPT CARR ASSY DR KEY2 BLK 18CKT	--	--	6,58	N/A	LOOSE PIECES
				98695 0001	MOX RCPT CARR ASSY DR KEY1 GRY 18CKT	--	--	6,58	N/A	LOOSE PIECES

EC NO: G2005-0376 DRAWN: MLUTZ 2005/07/07 CHKD: NEMSTER 2005/07/08 APPR: JHOYER 2005/07/11	QUALITY SYMBOLS 0 0	GENERAL TOLERANCES (UNLESS SPECIFIED)		DIMENSION STYLE MM ONLY		SCALE 2:1	DESIGN UNITS METRIC	FIRST ANGLE PROJECTION	
		4 PLACES ± --- ± --- 3 PLACES ± --- ± --- 2 PLACES ± 0.25 ± --- 1 PLACE ± 0.25 ± --- ANGULAR ± 2 °	DRAWN BY NEMSTER CHECKED BY SFARKAS APPROVED BY JHOYER	DATE 01/03/13 DATE 02/01/10 DATE	TITLE RCPT CARRIER WITH LEVER DUAL ROW 18CKT ASSY FOR 0.635 MOX		MATERIAL NO. SEE TABLE		DOCUMENT NO. SD-98695-001
DRAFT WHERE APPLICABLE MUST REMAIN WITHIN DIMENSIONS		THIS DRAWING CONTAINS INFORMATION THAT IS PROPRIETARY TO MOLEX INCORPORATED AND SHOULD NOT BE USED WITHOUT WRITTEN PERMISSION							