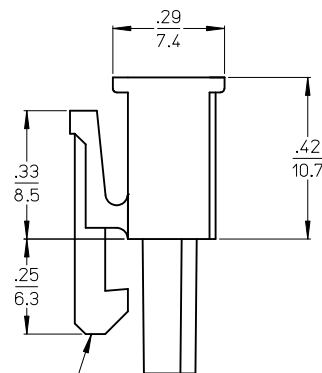
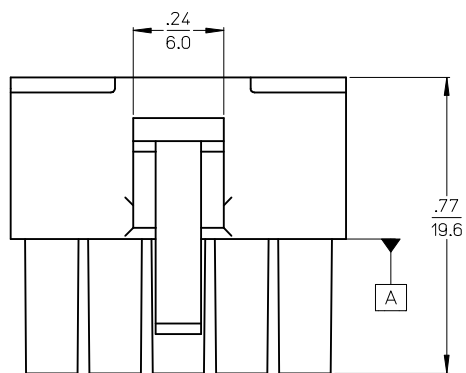
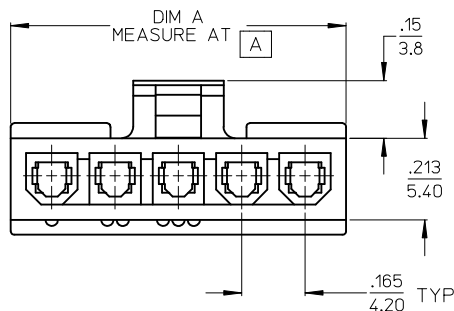


POSITIVE LATCH
SCALE 2:1

PASSIVE LATCH
SCALE 2:1



POSITIVE LATCH



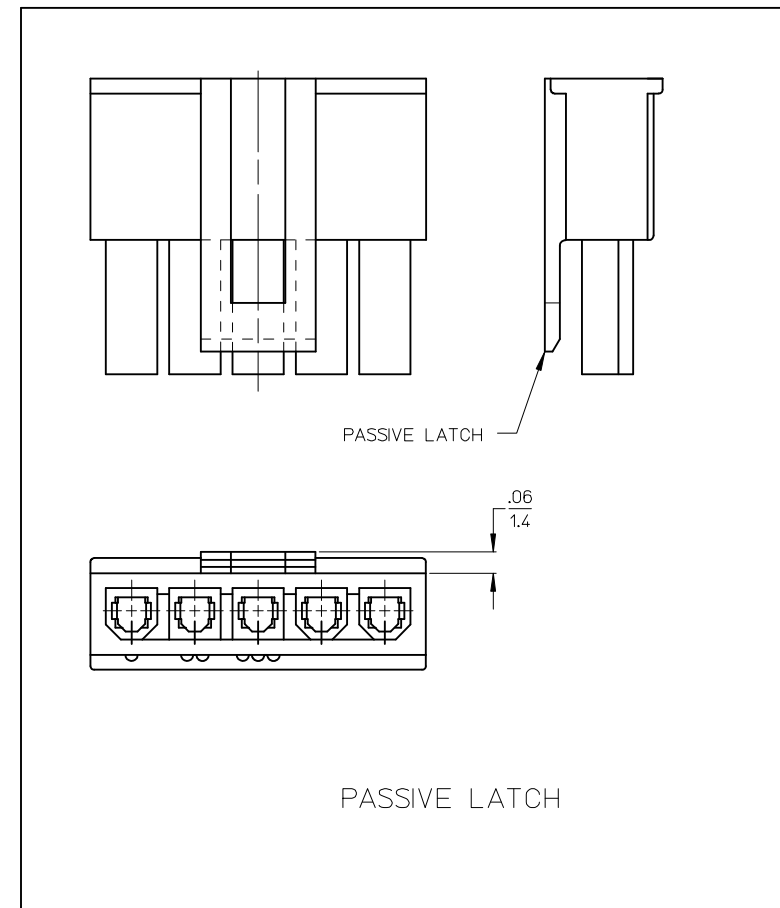
LEGEND:

	46994-*	* * *
CIRCUIT SIZE		
MATERIAL SEE NOTE 1		
CONFIGURATION		
	2=	SINGLE ROW, POSITIVE LATCH
	4=	SINGLE ROW, PASSIVE LATCH

NOTES:

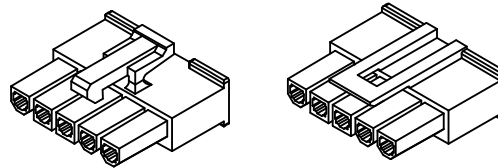
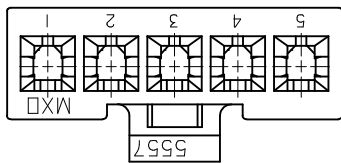
- MATERIAL:
0 = NYLON, UL94V-2, COLOR: NATURAL, (BEIGE); IEC 60335-1, 5th EDITION GLOW WIRE CAPABLE.
1 = NYLON, UL94V-2, COLOR: BLACK; IEC 60335-1, 5th EDITION GLOW WIRE CAPABLE.
- FINISH: NOT APPLICABLE
- PRODUCT SPECIFICATION: PS-5556-001
- PACKAGING: PK-5557-002
- PART MATES WITH MOLEX PLUG #172646 AND HEADERS #172647 AND #172648.
- PART TO BE USED WITH MOLEX FEMALE TERMINAL #5556.
- PART IS NOT DESIGNED FOR CURRENT SHARING.
- CONNECTORS ARE NOT TO BE MATED OR UNMATED WHILE CIRCUITS ARE LIVE.
- WIRES ARE TO BE DRESSED IN SUCH A MANNER TO ALLOW THE TERMINALS TO FLOAT FREELY IN THE POCKET.
- PART CONFORMS TO CLASS "B" REQUIREMENTS OF COSMETIC SPECIFICATION PS-45499-002 WITH THE EXCEPTION OF DISCOLORATION, FLASH AND SINK MEET CLASS "C" REQUIREMENTS.
- TEXT ON PART IS FOR REFERENCE ONLY. TEXT AND TEXT LOCATION MAY VARY DEPENDING ON PART NUMBER AND/OR TOOL.

MATERIAL NUMBER	MATERIAL/COLOR	TOOL STATUS	CKT SIZE	LATCH STYLE	DIM A
46994-0212	V-2/BLACK	TOOLED	2	POSITIVE	.378/(9.60)
46994-0412	V-2/BLACK	TOOLED	4	POSITIVE	.709/(18.00)
46994-0512	V-2/BLACK	TOOLED	5	POSITIVE	.874/(22.20)
46994-0612	V-2/BLACK	TOOLED	6	POSITIVE	1.039/(26.40)
46994-0712	V-2/BLACK	NOT TOOLED	7	POSITIVE	1.205/(30.60)
46994-0514	V-2/BLACK	NOT TOOLED	5	PASSIVE	.874/(22.20)
46994-0202	V-2/NATURAL(BEIGE)	TOOLED	2	POSITIVE	.378/(9.60)
46994-0402	V-2/NATURAL(BEIGE)	TOOLED	4	POSITIVE	.709/(18.00)
46994-0502	V-2/NATURAL(BEIGE)	TOOLED	5	POSITIVE	.874/(22.20)
46994-0602	V-2/NATURAL(BEIGE)	TOOLED	6	POSITIVE	1.039/(26.40)



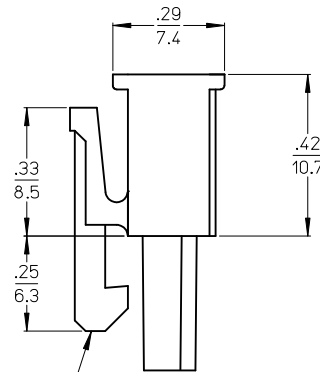
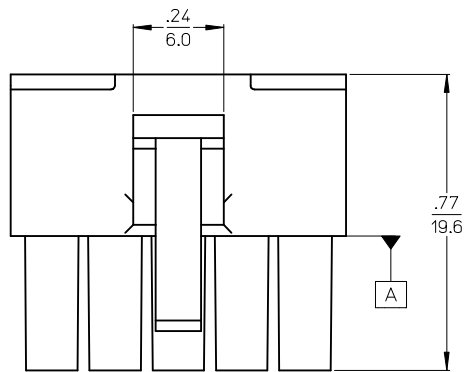
PASSIVE LATCH

ADD NOTE 11 IEC NO: UCP2017-2790 DRW: ZHARPER 2017/06/26 CHKD: APPR: FSMITH 2017/06/28 REV: A3	QUALITY SYMBOLS 	GENERAL TOLERANCES (UNLESS SPECIFIED) <table border="1"> <thead> <tr> <th></th> <th>mm</th> <th>INCH</th> </tr> </thead> <tbody> <tr> <td>4 PLACES</td> <td>± .10</td> <td>± .004</td> </tr> <tr> <td>3 PLACES</td> <td>± .15</td> <td>± .006</td> </tr> <tr> <td>2 PLACES</td> <td>± .25</td> <td>± .010</td> </tr> <tr> <td>1 PLACE</td> <td>± .38</td> <td>± .015</td> </tr> <tr> <td>0 PLACE</td> <td>± .50</td> <td>± .020</td> </tr> </tbody> </table>		mm	INCH	4 PLACES	± .10	± .004	3 PLACES	± .15	± .006	2 PLACES	± .25	± .010	1 PLACE	± .38	± .015	0 PLACE	± .50	± .020	DIMENSION STYLE IN/MM	SCALE DESIGN UNITS METRIC	THIRD ANGLE PROJECTION
		mm	INCH																				
	4 PLACES	± .10	± .004																				
	3 PLACES	± .15	± .006																				
2 PLACES	± .25	± .010																					
1 PLACE	± .38	± .015																					
0 PLACE	± .50	± .020																					
DRAFT WHERE APPLICABLE MUST REMAIN WITHIN DIMENSIONS		ANGULAR ±1/2°	DRAWN BY NGUYEN DATE 2013/04/15	CHECKED BY JBELL DATE 2013/04/15	APPROVED BY FSMITH DATE 2014/05/16																		
MATERIAL NO. SEE CHART			DOCUMENT NO. SD-46994-0000	SHEET NO. 1 OF 1	MINI-FIT JR. RECEPTACLE SINGLE ROW GLOW WIRE molex																		
THIS DRAWING CONTAINS INFORMATION THAT IS PROPRIETARY TO MOLEX. INCORPORATED AND SHOULD NOT BE USED WITHOUT WRITTEN PERMISSION																							



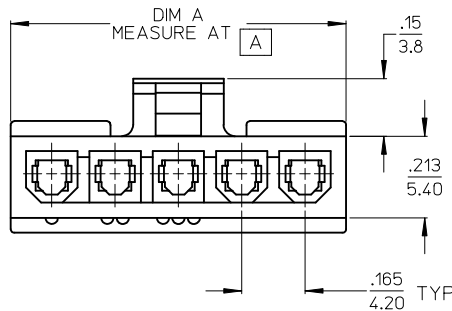
POSITIVE LATCH
SCALE 2:1

PASSIVE LATCH
SCALE 2:1



POSITIVE LATCH

PASSIVE LATCH



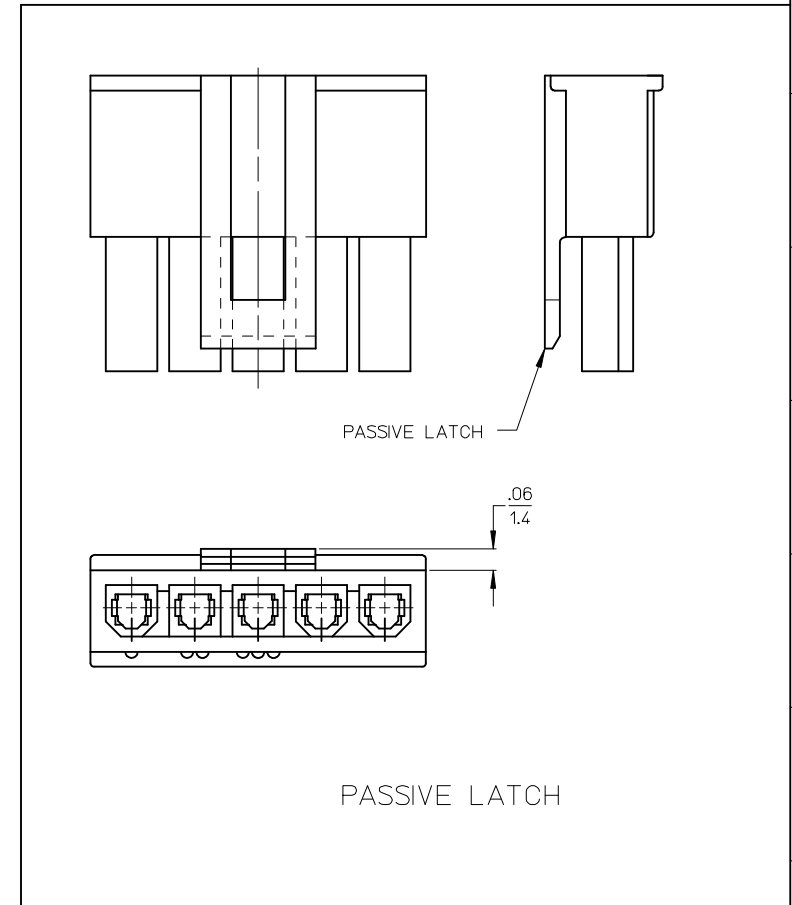
LEGEND:

CIRCUIT SIZE	46994-*	* * *
MATERIAL	SEE NOTE 1	
CONFIGURATION	2= SINGLE ROW, POSITIVE LATCH	4= SINGLE ROW, PASSIVE LATCH

NOTES:

- MATERIAL:
0 = NYLON, UL94V-2, COLOR: NATURAL, (BEIGE); IEC 60335-1, 5th EDITION GLOW WIRE CAPABLE.
1 = NYLON, UL94V-2, COLOR: BLACK; IEC 60335-1, 5th EDITION GLOW WIRE CAPABLE.
- FINISH: NOT APPLICABLE
- PRODUCT SPECIFICATION: PS-5556-001
- PACKAGING: PK-5557-002
- PART MATES WITH MOLEX PLUG #172646 AND HEADERS #172647 AND #172648.
- PART TO BE USED WITH MOLEX FEMALE TERMINAL #5556.
- PART IS NOT DESIGNED FOR CURRENT SHARING.
- CONNECTORS ARE NOT TO BE MATED OR UNMATED WHILE CIRCUITS ARE LIVE.
- WIRES ARE TO BE DRESSED IN SUCH A MANNER TO ALLOW THE TERMINALS TO FLOAT FREELY IN THE POCKET.
- PART CONFORMS TO CLASS "B" REQUIREMENTS OF COSMETIC SPECIFICATION PS-45499-002 WITH THE EXCEPTION OF DISCOLORATION, FLASH AND SINK MEET CLASS "C" REQUIREMENTS.
- TEXT ON PART IS FOR REFERENCE ONLY. TEXT AND TEXT LOCATION MAY VARY DEPENDING ON PART NUMBER AND/OR TOOL.

MATERIAL NUMBER	MATERIAL/COLOR	TOOL STATUS	CKT SIZE	LATCH STYLE	DIM A
46994-0212	V-2/BLACK	TOOLED	2	POSITIVE	.378/(9.60)
46994-0412	V-2/BLACK	TOOLED	4	POSITIVE	.709/(18.00)
46994-0512	V-2/BLACK	TOOLED	5	POSITIVE	.874/(22.20)
46994-0612	V-2/BLACK	TOOLED	6	POSITIVE	1.039/(26.40)
46994-0712	V-2/BLACK	NOT TOOLED	7	POSITIVE	1.205/(30.60)
46994-0514	V-2/BLACK	NOT TOOLED	5	PASSIVE	.874/(22.20)
46994-0202	V-2/NATURAL(BEIGE)	TOOLED	2	POSITIVE	.378/(9.60)
46994-0402	V-2/NATURAL(BEIGE)	TOOLED	4	POSITIVE	.709/(18.00)
46994-0502	V-2/NATURAL(BEIGE)	TOOLED	5	POSITIVE	.874/(22.20)
46994-0602	V-2/NATURAL(BEIGE)	TOOLED	6	POSITIVE	1.039/(26.40)



PASSIVE LATCH

ADD NOTE 11 IEC NO: UCP2017-2790 DRW: ZHARPER 2017/06/26 CHKD: APPR: FSMITH 2017/06/28 REV: A3	QUALITY SYMBOLS 	GENERAL TOLERANCES (UNLESS SPECIFIED) <table border="1"> <thead> <tr> <th></th> <th>mm</th> <th>INCH</th> </tr> </thead> <tbody> <tr> <td>4 PLACES</td> <td>± .10</td> <td>± .004</td> </tr> <tr> <td>3 PLACES</td> <td>± .15</td> <td>± .006</td> </tr> <tr> <td>2 PLACES</td> <td>± .25</td> <td>± .010</td> </tr> <tr> <td>1 PLACE</td> <td>± .38</td> <td>± .015</td> </tr> <tr> <td>0 PLACE</td> <td>± .50</td> <td>± .020</td> </tr> </tbody> </table>		mm	INCH	4 PLACES	± .10	± .004	3 PLACES	± .15	± .006	2 PLACES	± .25	± .010	1 PLACE	± .38	± .015	0 PLACE	± .50	± .020	DIMENSION STYLE IN/MM	SCALE DESIGN UNITS METRIC	THIRD ANGLE PROJECTION
		mm	INCH																				
	4 PLACES	± .10	± .004																				
	3 PLACES	± .15	± .006																				
2 PLACES	± .25	± .010																					
1 PLACE	± .38	± .015																					
0 PLACE	± .50	± .020																					
DRAFT WHERE APPLICABLE MUST REMAIN WITHIN DIMENSIONS		DRAWN BY: NNGUYEN DATE: 2013/04/15 CHECKED BY: JBELL DATE: 2013/04/15 APPROVED BY: FSMITH DATE: 2014/05/16	TITLE MINI-FIT JR. RECEPTACLE SINGLE ROW GLOW WIRE 																				
MATERIAL NO. SEE CHART		DOCUMENT NO. SD-46994-0000		SHEET NO. 1 OF 1																			
THIS DRAWING CONTAINS INFORMATION THAT IS PROPRIETARY TO MOLEX. INCORPORATED AND SHOULD NOT BE USED WITHOUT WRITTEN PERMISSION																							