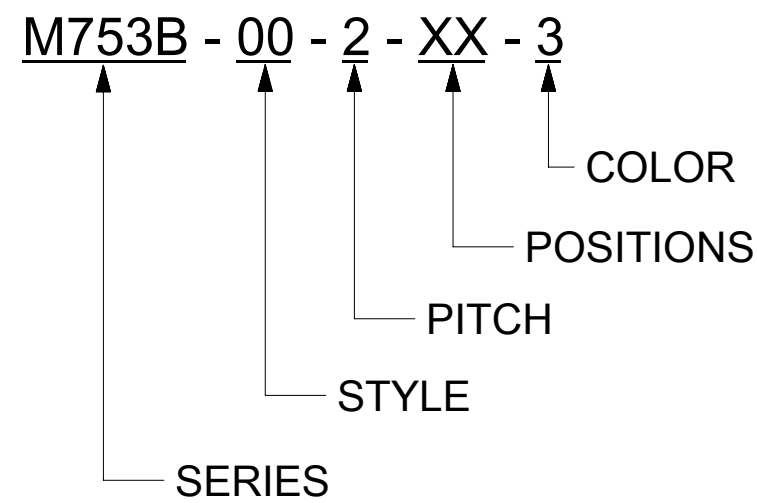


REF. LAST 2 DIGITS OF PART NUMBER EQUALS CIRCUIT COUNT

ENGINEERING NUMBER LEGEND



TOLERANCES			
MM	TOL	INCH	TOL
0-6	±0.25	0-.24	±.010
>6-30	±0.40	.24-1.18	±.016
>30-120	±0.50	1.18-4.76	±.020
>120	±0.80	>4.76	±.031

SPECIFICATIONS:

- MATERIAL:
 - A. BLOCK: STEEL ZINC PLATED
 - B. SCREW: M2.5, STEEL ZINC PLATED
 - C. BODY: PA66 UL94 V-0
 - D. CAM: STAINLESS STEEL
 - E. COVER: PA66 UL94 V-0
 - F. TERMINAL: BRASS TIN PLATED
 - G. MOUNTING SCREW: M2.5, STEEL ZINC PLATED
- WIRE SIZE: 30 TO 12 AWG
- RATING: 15A AT 51-150V, 15A AT 151-300V
- MAX TORQUE: 3.5 IN. LBS. (.4 Nm)
- WIRE STRIP: .37 (9.5mm)
- DIELECTRIC VOLTAGE WITHSTAND: AC 2500V FOR 1 MINUTE
- INSULATION RESISTANCE: DC 500V, 500MΩ
- RATED IMPULSE VOLTAGE: 4000V, PLUS AND MINUS 5 TIMES EACH
- OPERATING TEMPERATURE: -40°C TO +105°C
- DIMS GREATER THAN 1.18 (30mm) HAVE A TOLERANCE OF ±.02 (0.5mm)

PART NUMBER DATA									
CIRCUITS	PART NUMBER	ENGINEERING NUMBER	COLOR	DIM. "A"		DIM. "B"		DIM. "C"	
				IN	mm	IN	mm	IN	mm
2	397110002	M753B-00-2-02-3	GREEN	.79	20.0	.200	5.08	.600	15.24
3	397110003	M753B-00-2-03-3	GREEN	.99	25.0	.400	10.15	.800	20.32
4	397110004	M753B-00-2-04-3	GREEN	1.19	30.1	.600	15.23	1.000	25.40
5	397110005	M753B-00-2-05-3	GREEN	1.39	35.2	.800	20.31	1.200	30.48
6	397110006	M753B-00-2-06-3	GREEN	1.59	40.3	1.000	25.39	1.400	35.56
7	397110007	M753B-00-2-07-3	GREEN	1.79	45.4	1.199	30.46	1.600	40.64
8	397110008	M753B-00-2-08-3	GREEN	1.99	50.4	1.399	35.54	1.800	45.72
9	397110009	M753B-00-2-09-3	GREEN	2.19	55.5	1.599	40.62	2.000	50.80
10	397110010	M753B-00-2-10-3	GREEN	2.39	60.6	1.799	45.70	2.200	55.88
11	397110011	M753B-00-2-11-3	GREEN	2.59	65.7	1.999	50.77	2.400	60.96
12	397110012	M753B-00-2-12-3	GREEN	2.79	70.8	2.199	55.85	2.600	66.04
13		M753B-00-2-13-3	GREEN	2.99	75.8	2.399	60.93	2.800	71.12
14		M753B-00-2-14-3	GREEN	3.19	80.9	2.599	66.01	3.000	76.20
15		M753B-00-2-15-3	GREEN	3.39	86.0	2.799	71.08	3.200	81.28
16	397110016	M753B-00-2-16-3	GREEN	3.59	91.1	2.999	76.16	3.400	86.36
17		M753B-00-2-17-3	GREEN	3.79	96.2	3.198	81.24	3.600	91.44
(B3) 18	397110018	M753B-00-2-18-3	GREEN	3.99	101.2	3.398	86.32	3.800	96.52
(B3) 19		M753B-00-2-19-3	GREEN	4.19	106.3	3.598	91.39	4.000	101.60
20	397110020	M753B-00-2-20-3	GREEN	4.39	111.4	3.798	96.47	4.200	106.68
21		M753B-00-2-21-3	GREEN	4.59	116.5	3.998	101.55	4.400	111.76
22		M753B-00-2-22-3	GREEN	4.79	121.6	4.198	106.63	4.600	116.84
23		M753B-00-2-23-3	GREEN	4.99	126.6	4.398	111.70	4.800	121.92
24		M753B-00-2-24-3	GREEN	5.19	131.7	4.598	116.78	5.000	127.00

SEE SHEET-2 FOR OPTIONAL (BLACK) PART NUMBERS

FUNCTIONAL SYMBOLS	THIS DRAWING CONTAINS INFORMATION THAT IS PROPRIETARY TO MOLEX ELECTRONIC TECHNOLOGIES, LLC AND SHOULD NOT BE USED WITHOUT WRITTEN PERMISSION																																	
	$\frac{F}{A} = 0$ $\frac{F}{C} = 0$ $\frac{F}{P} = 0$	DIMENSION UNITS INCH/MM	SCALE 4:1	CURRENT REV DESC: MIGRATED TO ECTR/NX. ADDED NEW PART NUMBERS																														
GENERAL TOLERANCES (UNLESS SPECIFIED)		EC NO: 748183		DRWN: ABENJAMINLW		2023/05/02		TERMINAL PLUG, 5.08MM HORIZONTAL SCREW WITH MOUNTING ENDS																										
DIVISIONAL SYMBOLS		<table border="1"> <tr><th></th><th>MM</th><th>INCH</th></tr> <tr><td>4 PLACES</td><td>± --- ± ---</td><td>± --- ± ---</td></tr> <tr><td>3 PLACES</td><td>± --- ± ---</td><td>± SEE CHART</td></tr> <tr><td>2 PLACES</td><td>± SEE CHART ± SEE CHART</td><td>± SEE CHART</td></tr> <tr><td>1 PLACE</td><td>± SEE CHART ± ---</td><td>± ---</td></tr> <tr><td>0 PLACES</td><td>± --- ± ---</td><td>± ---</td></tr> <tr><td>ANGULAR TOL</td><td>± ---</td><td>± ---</td></tr> </table>			MM	INCH	4 PLACES			± --- ± ---	± --- ± ---	3 PLACES	± --- ± ---	± SEE CHART	2 PLACES	± SEE CHART ± SEE CHART	± SEE CHART	1 PLACE	± SEE CHART ± ---	± ---	0 PLACES	± --- ± ---	± ---	ANGULAR TOL	± ---	± ---	DRWN: RSTONE APPR: JFMURPHY		2023/05/02 2023/05/04		INITIAL REVISION: DRWN: RSTONE APPR: JFMURPHY		2014/03/19 2014/10/16	
	MM	INCH																																
4 PLACES	± --- ± ---	± --- ± ---																																
3 PLACES	± --- ± ---	± SEE CHART																																
2 PLACES	± SEE CHART ± SEE CHART	± SEE CHART																																
1 PLACE	± SEE CHART ± ---	± ---																																
0 PLACES	± --- ± ---	± ---																																
ANGULAR TOL	± ---	± ---																																
DRAFT WHERE APPLICABLE MUST REMAIN WITHIN DIMENSIONS		THIRD ANGLE PROJECTION		DRAWING		SERIES		MATERIAL NUMBER		CUSTOMER		SHEET NUMBER																						
		C-SIZE		39711		SEE CHART		GENERAL MARKET		SD-39711-001		1 OF 2																						

REF. LAST 2 DIGITS OF PART NUMBER EQUALS CIRCUIT COUNT

PART NUMBER DATA									
CIRCUITS	PART NUMBER	ENGINEERING NUMBER	COLOR	DIM. "A"		DIM. "B"		DIM. "C"	
				IN	mm	IN	mm	IN	mm
2	395341002	M753B-00-2-02-1	BLACK	.79	20.0	.200	5.08	.600	15.24
3	395341003	M753B-00-2-03-1	BLACK	.99	25.0	.400	10.15	.800	20.32
4	395341004	M753B-00-2-04-1	BLACK	1.19	30.1	.600	15.23	1.000	25.40
5	395341005	M753B-00-2-05-1	BLACK	1.39	35.2	.800	20.31	1.200	30.48
6	395341006	M753B-00-2-06-1	BLACK	1.59	40.3	1.000	25.39	1.400	35.56
7	395341007	M753B-00-2-07-1	BLACK	1.79	45.4	1.199	30.46	1.600	40.64
8	395341008	M753B-00-2-08-1	BLACK	1.99	50.4	1.399	35.54	1.800	45.72
9	395341009	M753B-00-2-09-1	BLACK	2.19	55.5	1.599	40.62	2.000	50.80
10	395341010	M753B-00-2-10-1	BLACK	2.39	60.6	1.799	45.70	2.200	55.88
11	395341011	M753B-00-2-11-1	BLACK	2.59	65.7	1.999	50.77	2.400	60.96
12	395341012	M753B-00-2-12-1	BLACK	2.79	70.8	2.199	55.85	2.600	66.04
13		M753B-00-2-13-1	BLACK	2.99	75.8	2.399	60.93	2.800	71.12
14		M753B-00-2-14-1	BLACK	3.19	80.9	2.599	66.01	3.000	76.20
15		M753B-00-2-15-1	BLACK	3.39	86.0	2.799	71.08	3.200	81.28
16	395341016	M753B-00-2-16-1	BLACK	3.59	91.1	2.999	76.16	3.400	86.36
17		M753B-00-2-17-1	BLACK	3.79	96.2	3.198	81.24	3.600	91.44
18		M753B-00-2-18-1	BLACK	3.99	101.2	3.398	86.32	3.800	96.52
19		M753B-00-2-19-1	BLACK	4.19	106.3	3.598	91.39	4.000	101.60
20		M753B-00-2-20-1	BLACK	4.39	111.4	3.798	96.47	4.200	106.68
21	395341021	M753B-00-2-21-1	BLACK	4.59	116.5	3.998	101.55	4.400	111.76
22		M753B-00-2-22-1	BLACK	4.79	121.6	4.198	106.63	4.600	116.84
23		M753B-00-2-23-1	BLACK	4.99	126.6	4.398	111.70	4.800	121.92
24	395341024	M753B-00-2-24-1	BLACK	5.19	131.7	4.598	116.78	5.000	127.00

CONTACT FACTORY FOR OPTIONAL COLOR

TOLERANCES			
MM	TOL	INCH	TOL
0-6	±0.25	0-.24	±.010
>6-30	±0.40	.24-1.18	±.016
>30-120	±0.50	1.18-4.76	±.020
>120	±0.80	>4.76	±.031

FUNCTIONAL SYMBOLS FA = 0 FC = 0 FP = 0	THIS DRAWING CONTAINS INFORMATION THAT IS PROPRIETARY TO MOLEX ELECTRONIC TECHNOLOGIES, LLC AND SHOULD NOT BE USED WITHOUT WRITTEN PERMISSION		CURRENT REV DESC: MIGRATED TO ECTR/NX. ADDED NEW PART NUMBERS	
	DIMENSION UNITS INCH/MM	SCALE 1:1	EC NO: 748183	
DIVISIONAL SYMBOLS	GENERAL TOLERANCES (UNLESS SPECIFIED)		DRWN: ABENJAMINLW 2023/05/02	
	4 PLACES ± --- ± ---	MM INCH	CHK'D: DACHAMMER 2023/05/02	
	3 PLACES ± --- ± SEE CHART		APPR: JFMURPHY 2023/05/04	
	2 PLACES ± SEE CHART ± SEE CHART		INITIAL REVISION:	
	1 PLACE ± SEE CHART ± ---		DRWN: RSTONE 2014/03/19	
	0 PLACES ± --- ± ---		APPR: JFMURPHY 2014/10/16	
	ANGULAR TOL ± ---	THIRD ANGLE PROJECTION	DRAWING	SERIES
	DRAFT WHERE APPLICABLE MUST REMAIN WITHIN DIMENSIONS		C-SIZE	39711
DOCUMENT STATUS		DOCUMENT NUMBER		DOC TYPE
P1	RELEASE DATE	SD-39711-001		PSD
2023/05/04	19:52:41	MATERIAL NUMBER		DOC PART
		SEE CHART		001
		CUSTOMER		REVISION
		GENERAL MARKET		B3
		SHEET NUMBER		
		2 OF 2		

molex

TERMINAL PLUG, 5.08MM HORIZONTAL SCREW WITH MOUNTING ENDS

PRODUCT CUSTOMER DRAWING