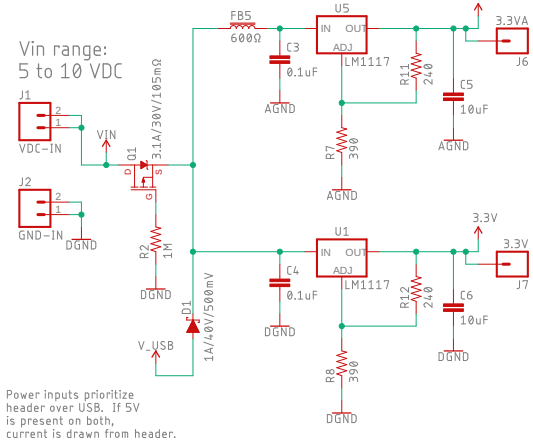
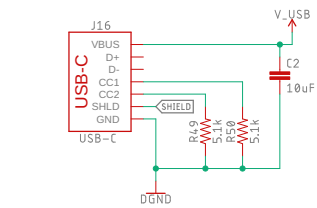


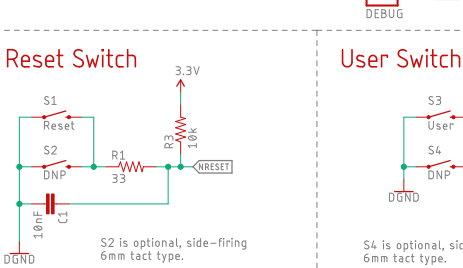
Power Regulators



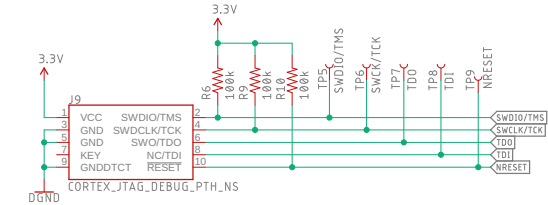
USB Device Port



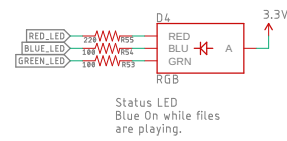
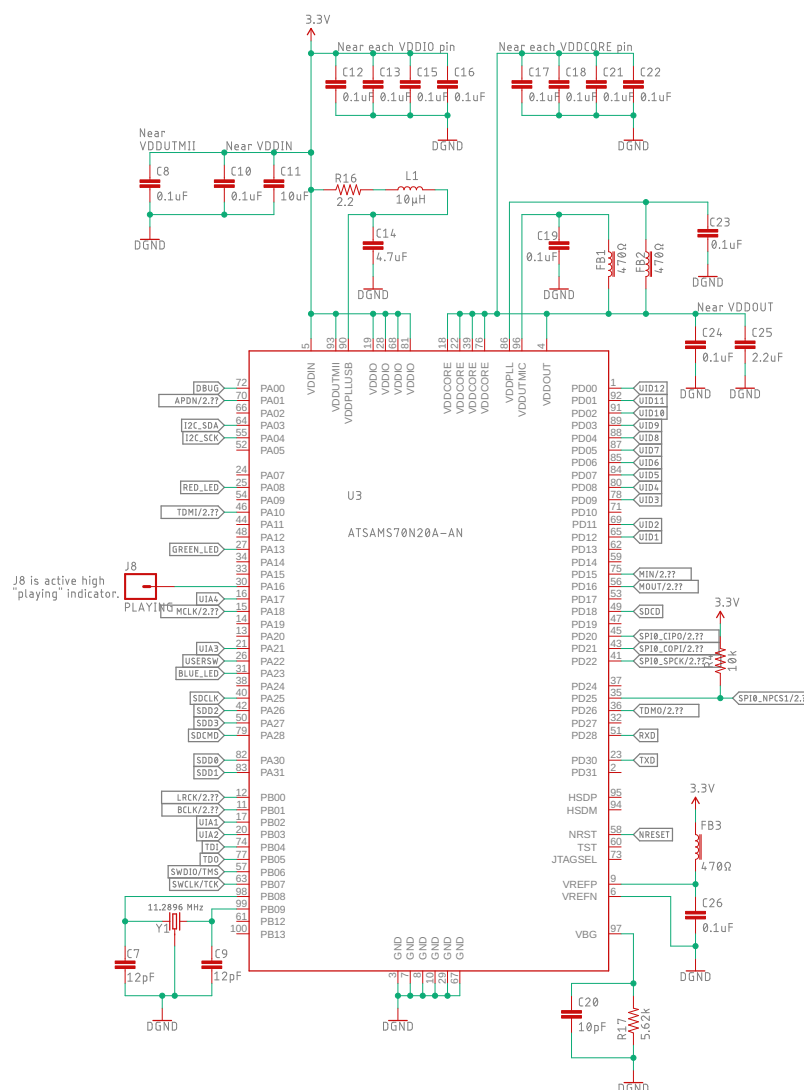
Scope Trigger



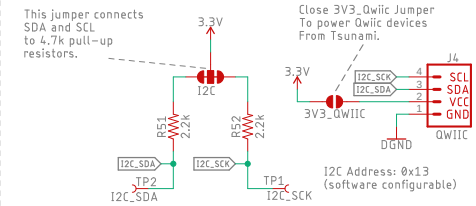
Cortex Debug Port



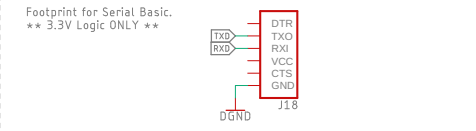
Cortex M7 Processor



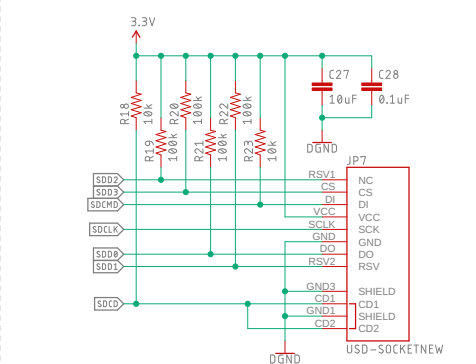
Qwiic Connector and Pullups



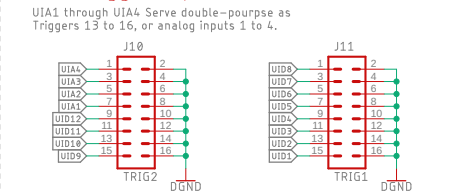
Host Serial Port Connection



SDIO uSD Card Slot



User Trigger Inputs



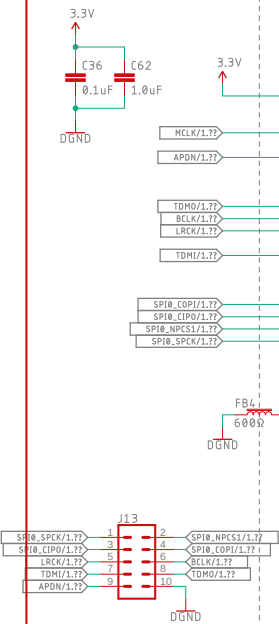
Released under the Creative Commons Attribution Share-Alike 4.0 License
<https://creativecommons.org/licenses/by-sa/4.0/>

TITLE: SparkFun_Tsunami_Qwiic
 Design by: Jamie Robertson, Byron Jacquot
 Revision by: Jamie Robertson, Pete Lewis
 Date: 8/18/2021 1:41 PM
 Sheet: 1/2



TDM Bus

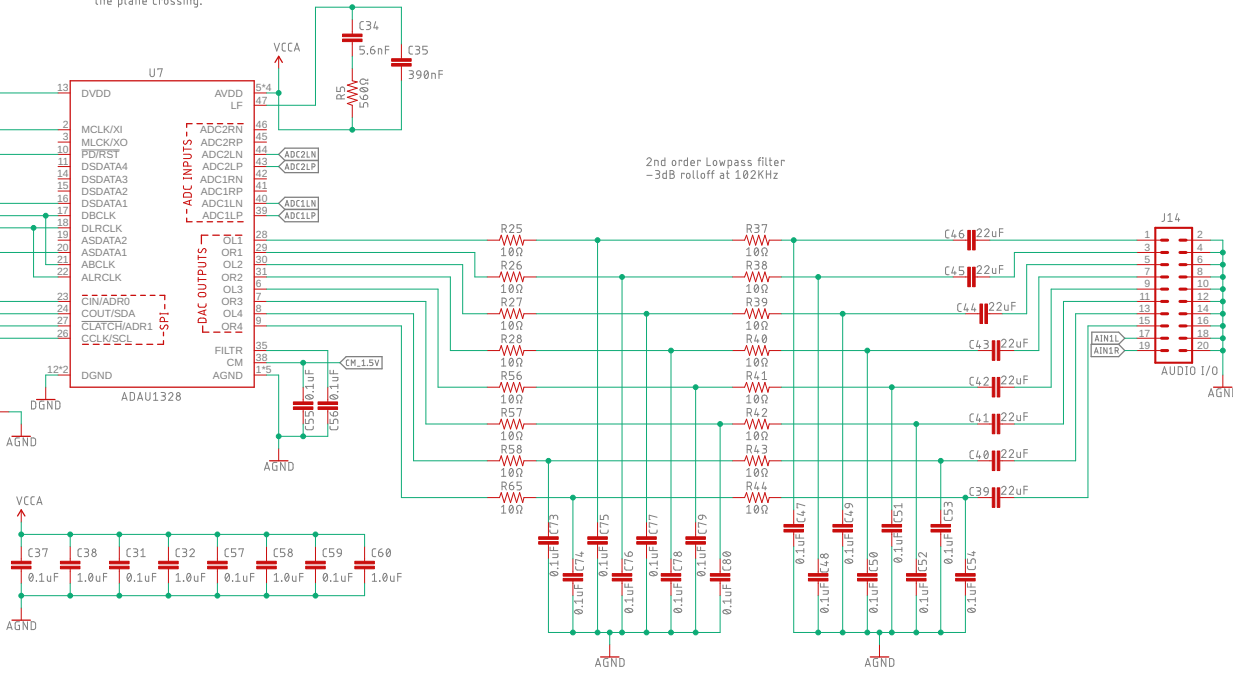
Signals from processor



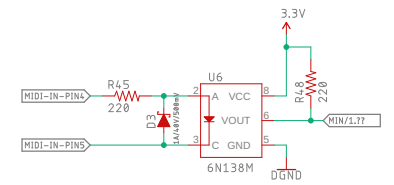
Audio Codec

Isolated analog ground plane with single connection to digital ground.

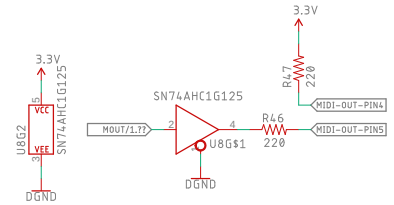
FB4 and FB5 are being used to formalize the plane crossing.



MIDI IN

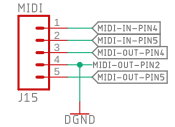


MIDI OUT



MIDI CONNECTOR

MIDI signals can be wired to standard 5-pin DIN connectors. Not all 5 pins are connected. Connect the pads below to the pins indicated.

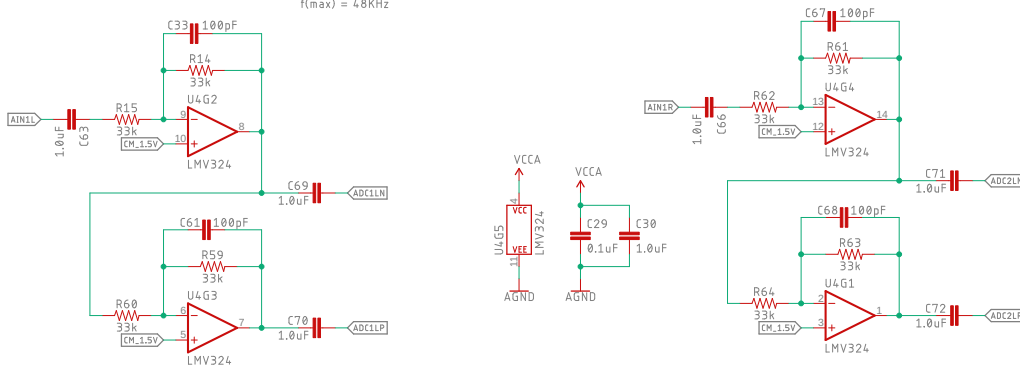


MIDI inputs are not grounded. MIDI outputs are, with the shield of the cable tied to Pin 2 of the DIN.

DIN-5 connectors have an odd pin-ordering -- pin 2 is between 4 and 5, as reflected in the connector above.

ADC Input Filters

High Pass: 4.8Hz (33k/1.0uF)
 Low Pass: 48.3KHz (33k/100pF)
 Slew Rate: 1V/us (1,000,000V/sec)
 Max Freq (at 3.3V power):
 slew rate (V/sec) = 2*pi*f*v
 1,000,000 = 2(3.14)f(3.3V)
 f(max) = 48KHz



Released under the Creative Commons Attribution Share-Alike 4.0 License
<https://creativecommons.org/licenses/by-sa/4.0/>

TITLE: SparkFun_Tsunami_Qwicc

Design by: Jamie Robertson & Byron Jacquot

Revision by: Jamie Robertson, Pete Lewis

Date: 8/18/2021 1:41 PM

REV: V21

Sheet: 2/2