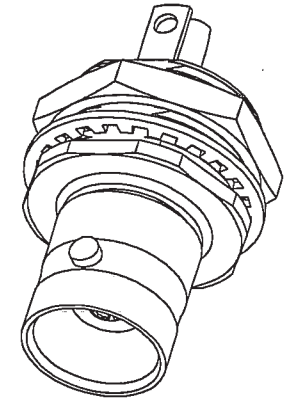
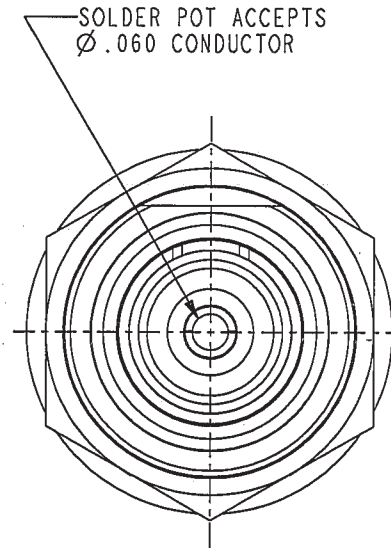
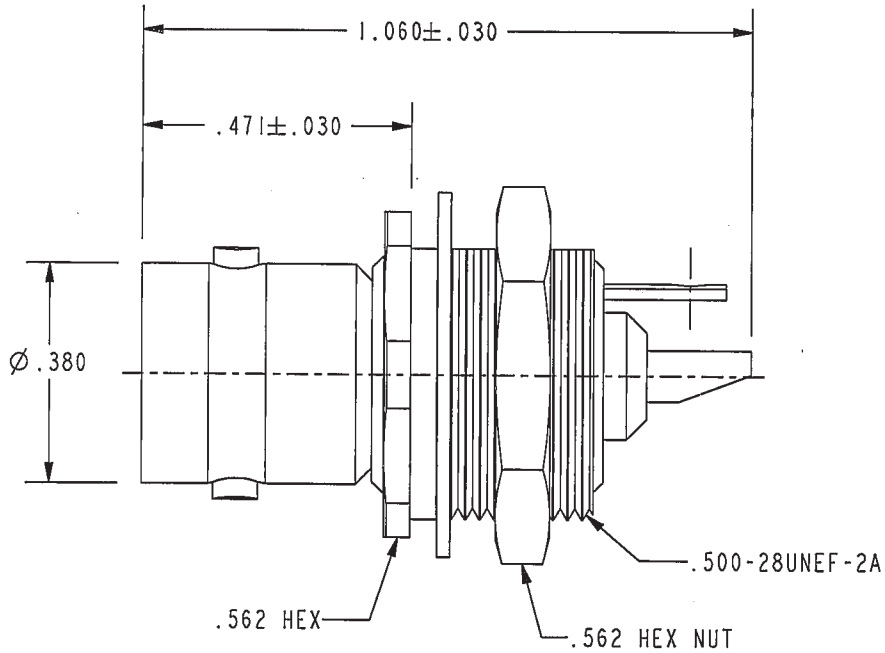


| DASH NO | MODEL NO | IMPEDANCE (Ω) |
|---------|----------|------------------------|
| -1 | BJ27 | 50 |
| -2 | UBJ27 | 75 |

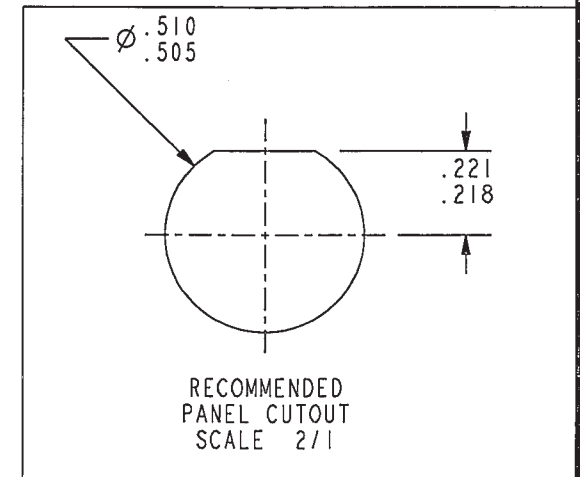
DATA CONTAINED IN THIS DOCUMENT IS PROPRIETARY TO TROMPETER ELECTRONICS INC. AND SHALL NOT BE DISCLOSED, COPIED OR USED FOR PROCUREMENT OR MANUFACTURE WITHOUT EXPRESS WRITTEN PERMISSION.

| REVISIONS | | | |
|-----------|------------------------|---------|----------|
| REV | DESCRIPTIONS | DATE | APPROVED |
| Y | REVISED PER ECO #14680 | 8-22-02 | AM. |



SCALE 2/1


- 1 SHOWN



RED INDICATES ORIGINAL

3. MAX PANEL THICKNESS: .147
2. FINISH: TFS-1A (NICKEL)
1. 50 Ω & 75 Ω COAXIAL BNC INSULATED SOLDER POT BULKHEAD MOUNT RECEPTACLE

NOTES: UNLESS OTHERWISE SPECIFIED.

| | | | | | | | | |
|--|-------------|--|------------|---|-------------|----------|-------|--------|
| INTERPRET DRAWING PER MIL-STD-100. DIMENSIONS ARE IN INCHES AND INCLUDE FINISH THICKNESS UNLESS OTHERWISE SPECIFIED. | | TOL: UNLESS SPECIFIED. .XX ± .02 .XXX ± .010 ANGLE ± 1° | |  | | | | |
| DRN | PD 8-20-02 | MATERIAL: | TITLE: | | | | | |
| CHK | JLM 8-21-02 | | BJ27/UBJ27 | | | | | |
| QUALITY | 8/22/02 | FINISH: | | | | | | |
| MANU | 8/22/02 | SEE NOTE 2 | SIZE | CAGE CODE | DRAWING NO. | REV. | | |
| APPROVED | 8/21/02 | | A | 14949 | 1-0132 | Y | | |
| PROJ FILE NO. | 1-0132 | DO NOT SCALE DWG | SCALE | 5/1 | DATE | 10-24-72 | SHEET | 1 OF 2 |