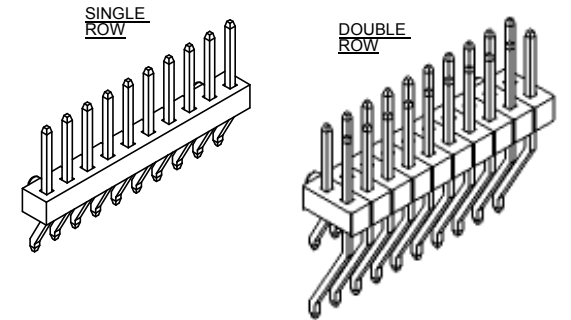
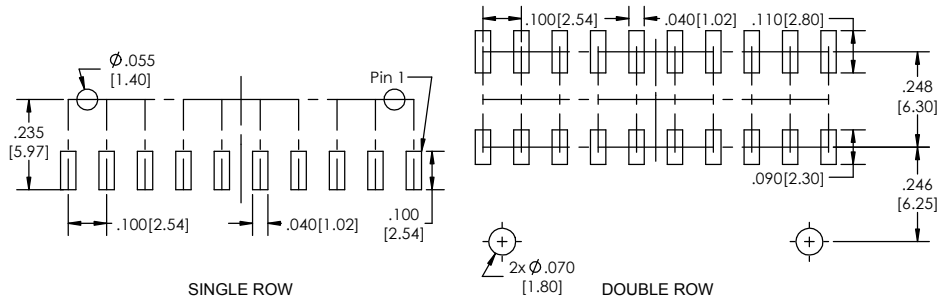


**Recommended P.C. Board Layout**  
SCALE 4:1

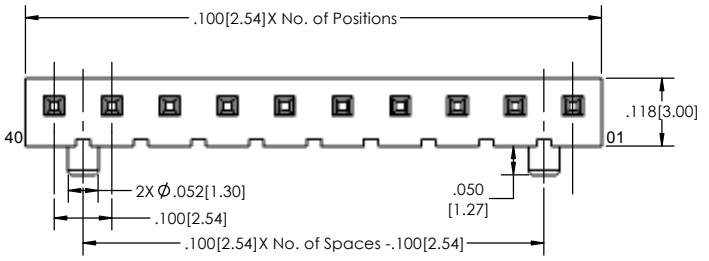
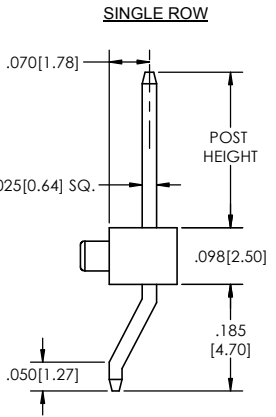
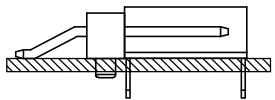


TSHSM-1 [XX] - [X] - [XX] - [XX] - [H] - [XXX] - [XX] - [X] - [XX] - [LF]  
(A) (B) (C) (D) (E) (F) (G) (H) (I) (J)

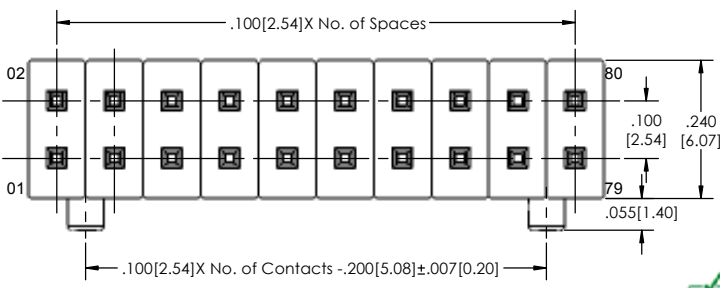
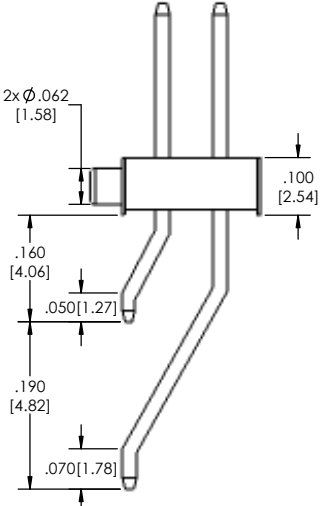
- A. Pins Per Row  
- 1 through 50
- B. Row Specification  
- S= Single Row  
- D= Double Row
- C. Pin Options  
- See Pin Options below
- D. Plating Options  
- See Plating Options below
- E. H= Horizontal
- F. Polarized Position  
- Leave blank if not needed  
- If required, specify empty pin position  
- e.g. 012 for Pin 12
- G. Packing Information  
- TR= Tape and Reel  
- TB= Tube
- H. Pad  
- P= Plastic  
- K= Kapton  
- O= No Pad  
- If left blank, packaging at MLE's discretion  
- Pad may be metal, mylar or plastic
- I. Alignment Pin  
- AP= With
- J. Lead Free

**Mates with:**  
BCSS  
BSSH  
BSSHC  
BSSQ  
BSSQM  
BSSQM  
LBCSS  
LSMBC  
LSWSS  
SMB  
SSHQ  
SSHQR  
SSHR  
SSHS  
SSHSM.

**APPLICATION**



**DOUBLE ROW**



Plating options	
G	-10µ Gold on Contact Area/ Flash on Tail
T	-Matte Tin all Over
GT	-10µ Gold on Contact Area/ Matte Tin on Tail
H	-30µ Gold on Contact Area/ Matte Tin on Tail
F	-Gold Flash over Entire Pin
FT	- Gold Flash on Contact Area/ Matte Tin on Tail

Pin Options	
Post Height	
.120	3.05mm 01
.230	5.84mm 02
.320	8.12mm 04
.420	10.67mm 06
.530	13.46mm 08
.630	16.00mm 10
.730	18.54mm 12
.830	21.08mm 14
.930	23.62mm 16

**Specifications:**  
Current Rating: 3.0 Ampere  
Insulation Resistance: 1000M Ohms Min.  
Dielectric Withstanding: 600V AC  
Contact Resistance: 20M Ohms Max.  
Operation Temperature: -40°C to +105°C  
Max. Process Temperature  
Peak: 260°C up to 20 secs.  
Process: 230°C up to 60 secs.  
Wave: 260°C up to 6 secs.  
Reflow: 260°C up to 10 secs.  
Manual Solder: 350°C up to 5 secs.

**Materials:**  
Contact Material: Phosphor Bronze  
Insulator Material: Nylon 6T  
Plating: Au or Sn over 50µ" (1.27) Ni  
Tails may be clipped to achieve specific dimensions.  
Products cut to specific sizes are uncancelable/ nonreturnable.  
Parts are subject to change without notice.



**PROPRIETARY AND CONFIDENTIAL**  
THE INFORMATION CONTAINED IN THIS DRAWING IS THE SOLE PROPERTY OF Major League Electronics. ANY REPRODUCTION IN PART OR AS A WHOLE WITHOUT THE WRITTEN PERMISSION OF Major League Electronics IS PROHIBITED.

UNLESS OTHERWISE SPECIFIED:		NAME	DATE	
DIMENSIONS ARE IN INCHES		DRAWN	EOW 01/16/14	
TOLERANCES:		CHECKED	GWE 01/16/14	
ONE DECIMALS ±.100		ENG APPR.		
TWO DECIMAL ±.100		MFG APPR.		ADDRESS:
THREE DECIMAL ±.005				2533 Centennial Blvd.
FOUR DECIMAL ±.002				Jeffersonville, IN 47130
NEXT ASSY	USED ON	FINISH		Phone: 812-670-4174
APPLICATION	DO NOT SCALE DRAWING			Fax: 812-670-4175
				E-Mail: mle@mlelectronics.com
				TITLE: TSHSM-1-H SERIES
				SIZE DWG. NO. <b>C</b>
				REV <b>B</b>
				SCALE 6:1
				SHEET 2 OF 2