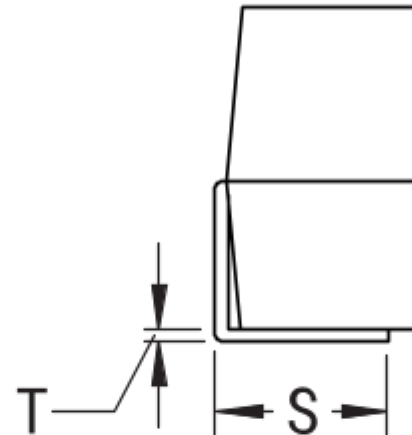
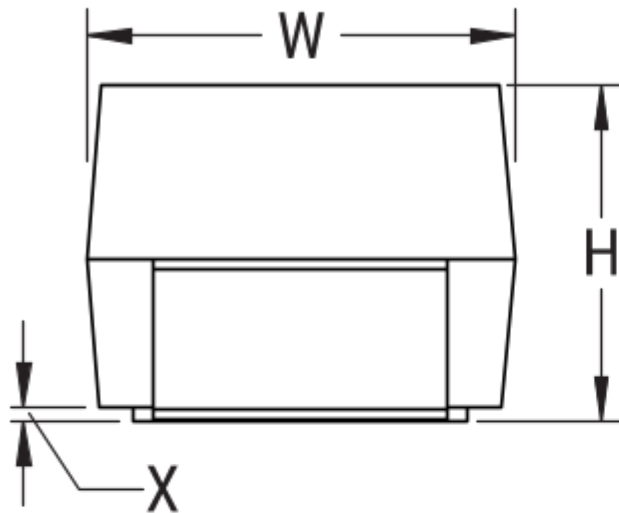


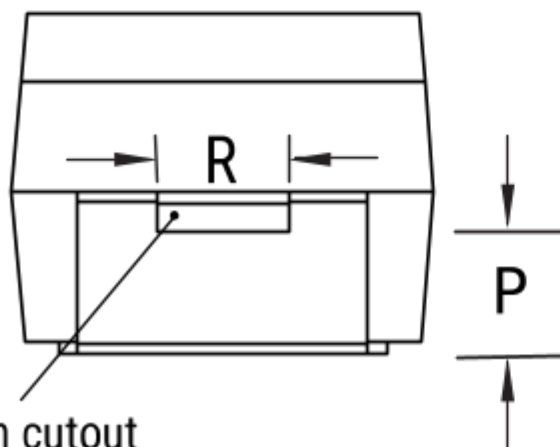
T496X477M004CT631A

T496 Space, Tantalum, MnO₂ Tantalum, Space Fused, 470 uF, 20%, 4 VDC, SMD, MnO₂, Molded, Aerospace, Fused, 500 mOhms, 7343, Height Max = 4.3mm

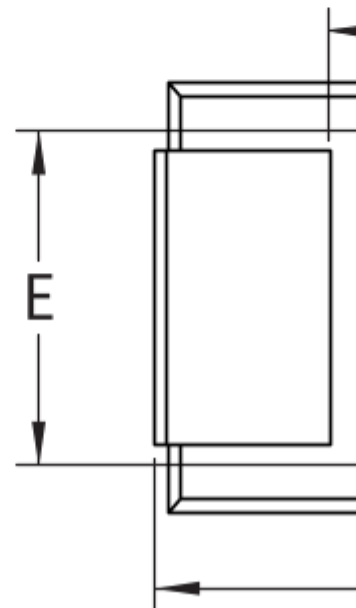
CATHODE (-) END VIEW



ANODE (+) END VIEW



Termination cutout
at KEMET's option,
either end



Click [here](#) for the 3D model.

Dimensions

Footprint 7343

L	7.3mm +/-0.3mm
W	4.3mm +/-0.3mm
H	4mm +/-0.3mm
T	0.13mm REF
S	1.3mm +/-0.3mm
F	2.4mm +/-0.1mm
A	3.8mm MIN
B	0.5mm +/-0.15mm
E	3.5mm REF
G	3.5mm REF
P	1.7mm REF
R	1mm REF
X	0.1mm +/-0.1mm

Packaging Specifications

Packaging T&R, 178mm

Packaging Quantity 500

General Information

Series	T496 Space
Dielectric	MnO2 Tantalum
Style	SMD Chip
Description	SMD, MnO2, Molded, Aerospace, Fused
Features	Internal Fuse, Aerospace
RoHS	Yes
Termination	Tin
AEC-Q200	No
Component Weight	652.04 mg

Specifications

Capacitance	470 uF
Capacitance Tolerance	20%
Voltage DC	4 VDC (85C), 2.68 VDC (125C)
Temperature Range	-55/+125°C
Rated Temperature	85°C
Dissipation Factor	8% 120Hz 25C
Failure Rate	C (0.01%/1000 Hrs)
Resistance	0.5 Ohms (100kHz 25C)
Ripple Current	574 mA (rms, 100kHz 25C)
Leakage Current	18.8 uA (5min 25°C)

Statements of suitability for certain applications are based on our knowledge of typical operating conditions for such applications, but are not intended to constitute - and we specifically disclaim - any warranty concerning suitability for a specific customer application or use. This Information is intended for use only by customers who have the requisite experience and capability to determine the correct products for their application. Any technical advice inferred from this Information or otherwise provided by us with reference to the use of our products is given gratis, and we assume no obligation or liability for the advice given or

results obtained.

Generated 5/18/2023 - d1ff8375-db0e-42ed-858a-8cb46dde3461

© 2006 - 2023 KEMET

Generated 5/18/2023 - d1ff8375-db0e-42ed-858a-8cb46dde3461

© 2006 - 2023 KEMET