

# ACTIVE 2X FREQUENCY MULTIPLIER (CONT.)

## MODEL: SYS2X2640WG

### FEATURES

- Fundamental rejection ..... -80 dBc
- Output power ..... +15 dBm
- Packaging ..... Hermetically sealed

### ELECTRICAL SPECIFICATIONS

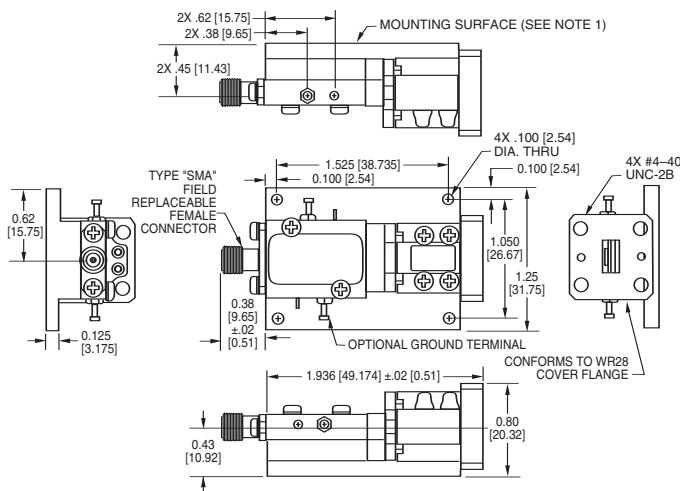
INPUT PARAMETERS	CONDITION	UNITS	MIN.	TYP.	MAX.
RF frequency range		GHz	13		20
RF VSWR	50 ohm reference	Ratio		2.5:1	
RF power range		dBm	+9		+13
V+ bias voltage	@ 250 mA max.	VDC	9		16
V- bias voltage	@ 15 mA max.	VDC	-9		-16
TRANSFER CHARACTERISTICS	CONDITION	UNITS	MIN.	TYP.	MAX.
Output power		dBm	+13	+15	
Fundamental leakage	Input	dBc		-80	-50
Third-harmonic leakage	Input	dBc		-30	-15
OUTPUT PARAMETERS	CONDITION	UNITS	MIN.	TYP.	MAX.
RF frequency range		GHz	26		40
RF VSWR	50 ohm reference	Ratio		2.5:1	
RF power		dBm		+15	

NOTE: Test data supplied at 25°C;  
fundamental rejection and output power.

### MAXIMUM RATINGS

Specification temperature ..... +25°C  
Operating temperature ..... -40 to +65°C  
Storage temperature ..... -65 to +95°C

### OUTLINE DRAWING



- NOTES: 1. Unit's mounting surface shall be attached to a heatsink capable of dissipating the devices power consumption without exceeding the operating temperature limits.  
2. All dimensions shown in brackets [ ] are in millimeters.

ADD SUFFIX TO  
MODEL NO.  
S

OPTION  
Single positive supply

