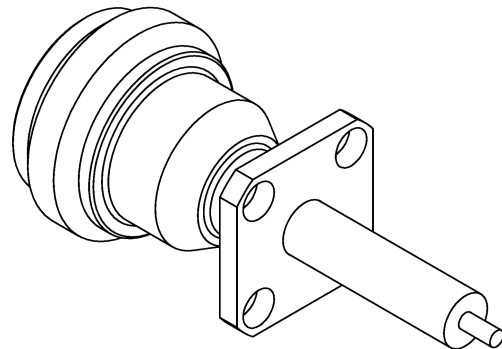
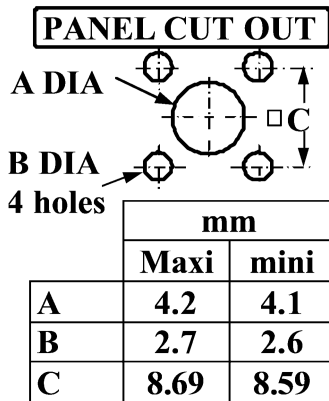
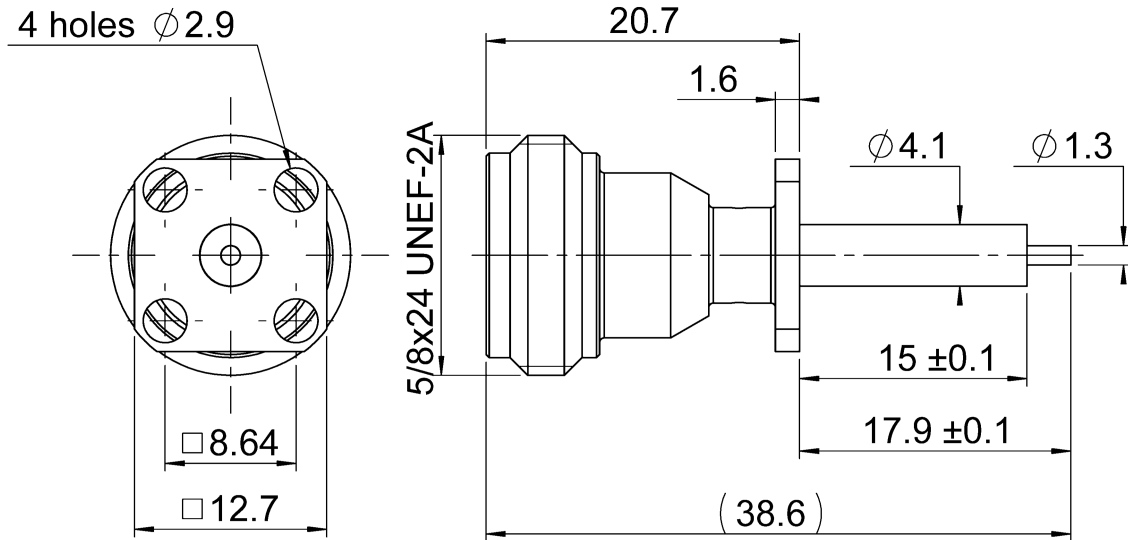
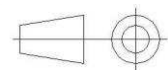


PAGE 1/2	ISSUE 1449B	SERIES N	PART NUMBER R161410520
----------	-------------	----------	------------------------



All dimensions are in mm.



COMPONENTS	MATERIALS	PLATING ( $\mu$ m)
Body	<b>BRASS</b>	<b>BBR</b>
Center contact	<b>BERYLLIUM COPPER</b>	<b>GOLD OVER NICKEL</b>
Outer contact	-	-
Insulator	<b>PTFE</b>	-
Gasket	-	-
Others parts	-	-
-	-	-
-	-	-

PAGE 2/2	ISSUE 1449B	SERIES N	PART NUMBER R161410520
----------	-------------	----------	------------------------

**PACKAGING**

Standard	Unit	Other
50	Contact us	Contact us

**ELECTRICAL CHARACTERISTICS**

Impedance		50	Ω
Frequency		0-11	GHz
VSWR	1.04 +	0.0040	x F(GHz) Maxi
Insertion loss		.015*	√F(GHz) dB Maxi
RF leakage	-(	101	- F(GHz) dB Maxi
Voltage rating		1400	Veff Maxi
Dielectric withstanding voltage		2500	Veff mini
Insulation resistance		5000	MΩ mini

**ENVIRONMENTAL**

Operating temperature	-55/+155	°C
Hermetic seal	NA	Atm.cm3/s
Panel leakage	NA	

**MECHANICAL CHARACTERISTICS**

Center contact retention			
Axial force – Mating End		27	N mini
Axial force – Opposite end		27	N mini
Torque		2.8	N.cm mini

**SPECIFICATION**

**OTHER CHARACTERISTICS**

Recommended torque			
Mating		NA	N.cm
Panel nut		NA	N.cm
Mating life		500	Cycles mini
Weight		13.0500	g

Assembly instruction:

Others:

\* Coaxial Transmission Line Only