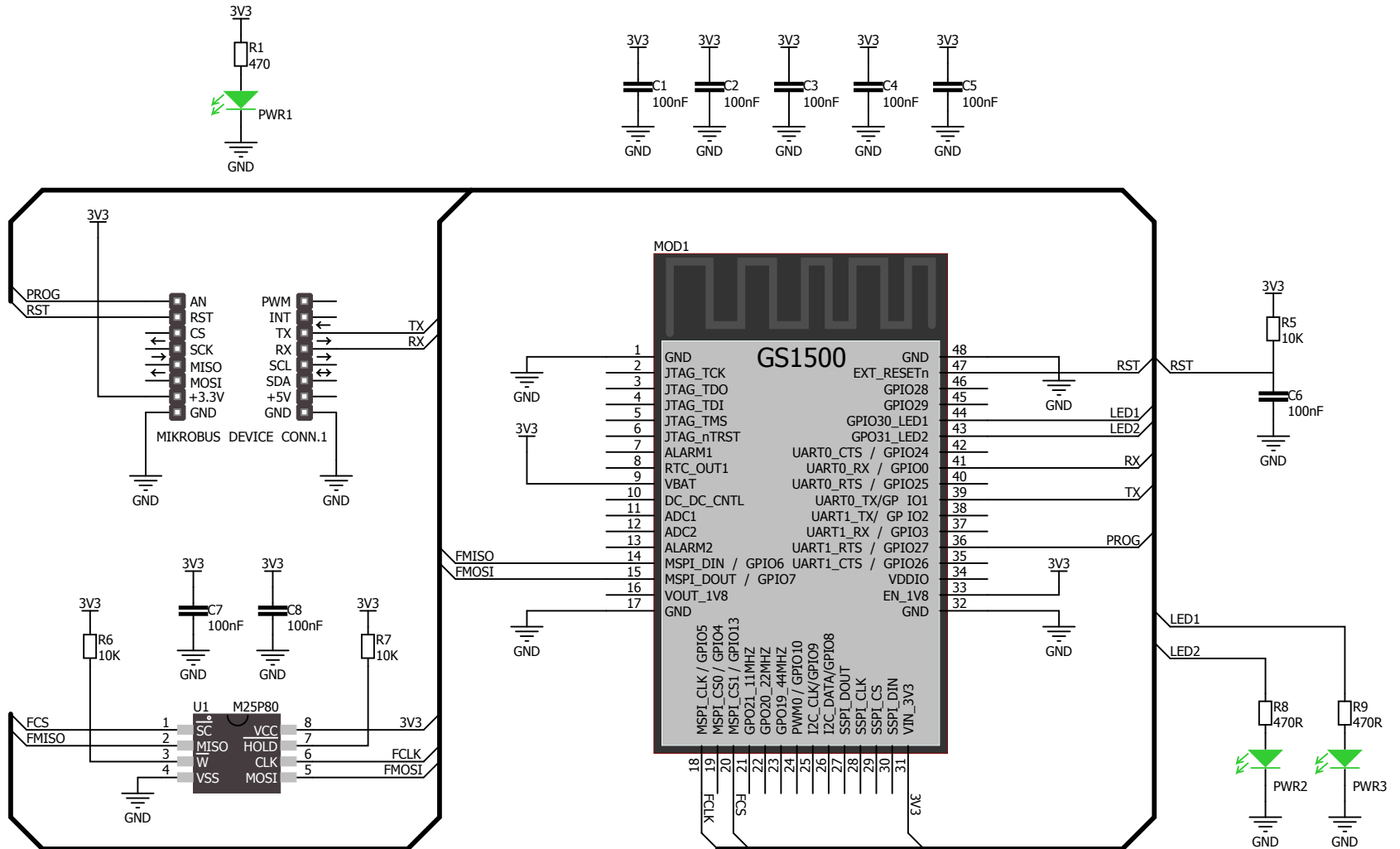


WiFi 5 click schematic v100



www.mikroe.com