

## JNP-SFP-25G-LR-CW-53-C

Juniper Networks® Compatible TAA 25GBase-CWDM SFP28 Transceiver (SMF, 1530nm, 10km, LC, DOM)

### Features:

- Up to 25.78Gbps bi-directional data links
- Electrical interface specifications per SFF-8431
- Built-in dual CDR with bypass function
- SFP28 MSA package with duplex LC connector
- CWDM-rated EML Transmitter and APD Receiver
- Up to 10km on 9/125um SMF
- Single +3.3V power supply
- Operating temperature: 0 to 70 Celsius
- SFF-8432 and SFF-8472 Compliance
- 1.8W maximum power consumption
- Class 1 Laser Safety Certified
- RoHS compliant and lead-free



### Applications:

- 25x Gigabit Ethernet over CWDM
- Access, Metro and Enterprise
- Mobile Fronthaul CPRI/OBSAI

### Product Description

This Juniper Networks® SFP28 transceiver provides 25GBase-CWDM throughput up to 10km over single-mode fiber (SMF) using a wavelength of 1530nm via an LC connector. It is guaranteed to be 100% compatible with the equivalent Juniper Networks® transceiver. This easy to install, hot swappable transceiver has been programmed, uniquely serialized and data-traffic and application tested to ensure that it will initialize and perform identically. Digital optical monitoring (DOM) support is also present to allow access to real-time operating parameters. This transceiver is Trade Agreements Act (TAA) compliant. We stand behind the quality of our products and proudly offer a limited lifetime warranty.

ProLabs' transceivers are RoHS compliant and lead-free.

TAA refers to the Trade Agreements Act (19 U.S.C. & 2501-2581), which is intended to foster fair and open international trade. TAA requires that the U.S. Government may acquire only "U.S. – made or designated country end products."



### Regulatory Compliance

- ESD to the Electrical PINs: compatible with MIL-STD-883E Method 3015.4.
- ESD to the LC Receptacle: compatible with IEC 61000-4-3.
- EMI/EMC: compatible with FCC Part 15 Subpart B Rules, EN55022:2010.
- Laser Eye Safety: compatible with FDA 21CFR, EN60950-1& EN (IEC) 60825-1, 2.
- RoHS: compliant with EU RoHS 2.0 directive 2015/863/EU.

### CWDM Available Wavelengths

| Wavelengths | Min.   | Typ. | Max.   |
|-------------|--------|------|--------|
| 47          | 1464.5 | 1471 | 1477.5 |
| 49          | 1484.5 | 1491 | 1497.5 |
| 51          | 1504.5 | 1511 | 1517.5 |
| 53          | 1524.5 | 1531 | 1537.5 |
| 55          | 1544.5 | 1551 | 1557.5 |

### Absolute Maximum Ratings

| Parameter  | Symbol | Min. | Typ.           | Max.               | Unit | Notes |
|--|--------|------|----------------|--------------------|------|-------|
| Maximum Supply Voltage                           | Vcc    | -0.5 |                | 4.0                | V    |       |
| Storage Temperature                              | Tstg   | -40  |                | 85                 | °C   |       |
| Operating Case Temperature                       | Tc     | 0    | 25             | 70                 | °C   |       |
| Relative Humidity                                | RH     | 5    |                | 95                 | %    |       |
| Data Rate  |        |      | 24.33<br>25.78 |                    | Gbps |       |
| Bit Error Rate                                   | BER    |      |                | $5 \times 10^{-5}$ |      | 1     |
| Supported Link Length on 9/125µm SMF @ 25.78Gbps | L      |      | 10             |                    | km   | 2     |

### Notes:

1. Tested with a PRBS 2<sup>31</sup>-1 test pattern for 25.78Gbps operation.
2. Distances are based on FC-PI-6 Rev. 3.1 and IEEE 802.3 standards.

## Electrical Characteristics

| Parameter                       |                      | Symbol                         | Min.  | Typ. | Max.     | Unit  | Notes |
|---------------------------------|----------------------|--------------------------------|-------|------|----------|-------|-------|
| Power Supply Voltage            |                      | V <sub>CC</sub>                | 3.135 | 3.3  | 3.465    | V     |       |
| Power Supply Current            |                      | I <sub>CC</sub>                |       |      | 545      | mA    |       |
| Power Dissipation               |                      | P <sub>D</sub>                 |       |      | 1800     | mW    |       |
| <b>Transmitter</b>              |                      |                                |       |      |          |       |       |
| Differential Input Impedance    |                      | Z <sub>IN</sub>                |       | 100  |          | Ω     |       |
| Differential Data Input Swing   |                      | V <sub>IN,pp</sub>             | 180   |      | 700      | mVp-p |       |
| Tx_Fault                        | Transmitter Fault    | V <sub>OH</sub>                | 2.0   |      | Host_Vcc | V     |       |
|                                 | Normal Operation     | V <sub>OL</sub>                | 0     |      | 0.8      | V     |       |
| Tx_Disable                      | Transmitter Disable  | V <sub>IH</sub>                | 2.0   |      | Host_Vcc | V     |       |
|                                 | Transmitter Enable   | V <sub>IL</sub>                | 0     |      | 0.8      | V     |       |
| <b>Receiver</b>                 |                      |                                |       |      |          |       |       |
| Differential Output Impedance   |                      | Z <sub>OUT</sub>               |       | 100  |          | Ω     |       |
| Differential Data Output Swing  |                      | V <sub>OUT,pp</sub>            | 300   |      | 850      | mVp-p | 1     |
| Data Output Rise Time/Fall Time |                      | T <sub>r</sub> /T <sub>f</sub> | 15    |      |          | ps    | 2     |
| Rx_LOS                          | Loss of Signal (LOS) | V <sub>OH</sub>                | 2.0   |      | Host_Vcc | V     | 3     |
|                                 | Normal Operation     | V <sub>OL</sub>                | 0     |      | 0.8      | V     | 3     |

### Notes:

1. Internally AC coupled but requires an external 100Ω differential load termination.
2. 20–80 %.
3. LOS is an open collector output. Should be pulled up with 4.7kΩ on the host board.

## Optical Characteristics

| Parameter                          | Symbol           | Min.   | Typ. | Max.   | Unit | Notes |
|------------------------------------|------------------|--------|------|--------|------|-------|
| <b>Transmitter</b>                 |                  |        |      |        |      |       |
| Launch Optical Power               | P <sub>o</sub>   | 0      |      | 5      | dBm  | 1     |
| Extinction Ratio                   | ER               | 4.5    |      |        | dB   |       |
| Center Wavelength Range            | λ <sub>C</sub>   | 1464.5 |      | 1557.5 | nm   |       |
| Transmitter and Dispersion Penalty | TDP              |        |      | 4      | dB   |       |
| Spectral Width                     | Δλ               |        |      | 1      | nm   | 2     |
| Optical Return Loss Tolerance      | ORLT             |        |      | 21     | dB   |       |
| Pout @Tx_Disable Asserted          | P <sub>off</sub> |        |      | -30    | dBm  |       |
| <b>Receiver</b>                    |                  |        |      |        |      |       |
| Center Wavelength                  | λ <sub>C</sub>   | 1460   |      | 1620   | nm   |       |
| Receiver Sensitivity (Avg)         | S                |        |      | -19    | dBm  | 1     |
| Receiver Overload                  | P <sub>max</sub> | -4     |      |        | dBm  |       |
| Optical Return Loss                | ORL              | 26     |      |        | dB   |       |
| LOS De-Assert                      | LOSD             |        |      | -19    | dBm  |       |
| LOS Assert                         | LOSA             | -35    |      |        | dBm  |       |
| LOS Hysteresis                     |                  | 0.5    |      |        | dB   |       |

### Notes:

1. Class 1 Laser Safety per FDA/CDRH and EN (IEC) 60825 regulations.
2. 20dB spectral width.
3. Measured with PRBS 2<sup>31</sup>-1 at 5×10<sup>-5</sup> BER.

## Pin Descriptions

| Pin | Symbol     | Name/Descriptions   | Ref. |
|-----|------------|---|------|
| 1   | VeeT       | Transmitter Ground (Common with Receiver Ground).                         | 1    |
| 2   | Tx_Fault   | Transmitter Fault. LVTTTL-O.  | 2    |
| 3   | Tx_Disable | Transmitter Disable. Laser output disabled on “high” or “open.” LVTTTL-I. | 3    |
| 4   | SDA        | 2-Wire Serial Interface Data. Same as MOD-DEF2 in INF-8074i. LVTTTL-I/O.  |      |
| 5   | SCL        | 2-Wire Serial Interface Data. Same as MOD-DEF2 in INF-8074i. LVTTTL-I.    |      |
| 6   | MOD_ABS    | Module Absent. Connect to VeeT or VeeR in the module.                     | 4    |
| 7   | RS0        | Rate Select 0. Not used.  | 5    |
| 8   | LOS        | Loss of Signal Indication. Logic 0 indicates normal operation. LVTTTL-O.  | 2    |
| 9   | RS1        | Rate Select 1. Not used.  | 5    |
| 10  | VeeR       | Receiver Ground (Common with Transmitter Ground).                         | 1    |
| 11  | VeeR       | Receiver Ground (Common with Transmitter Ground).                         | 1    |
| 12  | RD-        | Receiver Inverted Data Out. AC Coupled. CML-O.                            |      |
| 13  | RD+        | Receiver Non-Inverted Data Out. AC Coupled. CML-O.                        |      |
| 14  | VeeR       | Receiver Ground (Common with Transmitter Ground).                         | 1    |
| 15  | VccR       | Receiver Power Supply.  |      |
| 16  | VccT       | Transmitter Power Supply.   |      |
| 17  | VeeT       | Transmitter Ground (Common with Receiver Ground).                         | 1    |
| 18  | TD+        | Transmitter Non-Inverted Data In. AC Coupled. CML-I.                      |      |
| 19  | TD-        | Transmitter Inverted Data In. AC Coupled. CML-O.                          |      |
| 20  | VeeT       | Transmitter Ground (Common with Receiver Ground).                         | 1    |

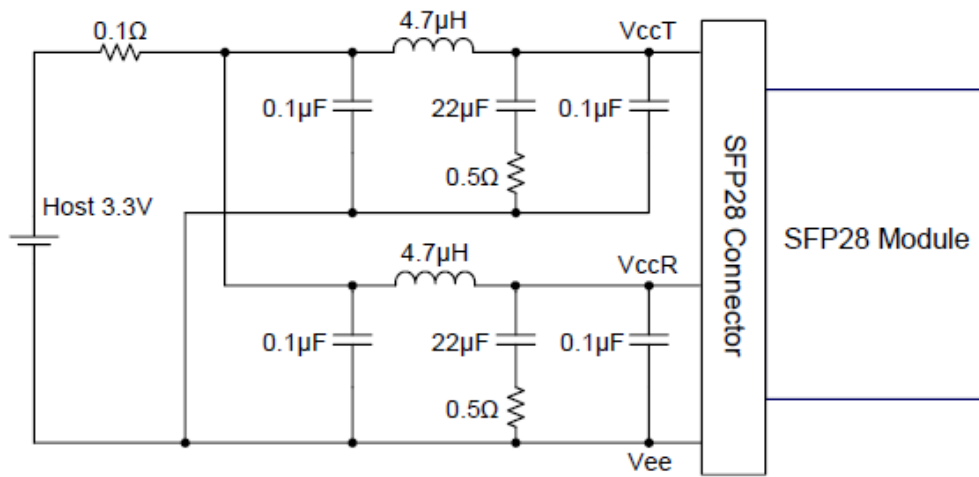
### Notes:

1. The module signal ground contacts, VeeR and VeeT, should be isolated from the module case.
2. This contact is an open collector/drain output and should be pulled up to the Host\_Vcc with the resistor in the range 4.7kΩ-10kΩ. Pull-ups can be connected to one or several power supplies; however, the host board design shall ensure that no module contract has voltage exceeding module VccT/R+0.5V.
3. Tx\_Disable is an input contact with a 4.7kΩ-10kΩ pull-up resistor to the VccT inside the module.
4. MOD\_ABS is connected to the VeeT or VeeR in the SFP+ module. The host may pull the contract up to Host\_Vcc with a resistor in the range from 4.7kΩ-10kΩ. MOD\_ABS is asserted “high” when the SFP+ module is physically absent from a host slot.
5. Internally pulled down per SFF-8431.

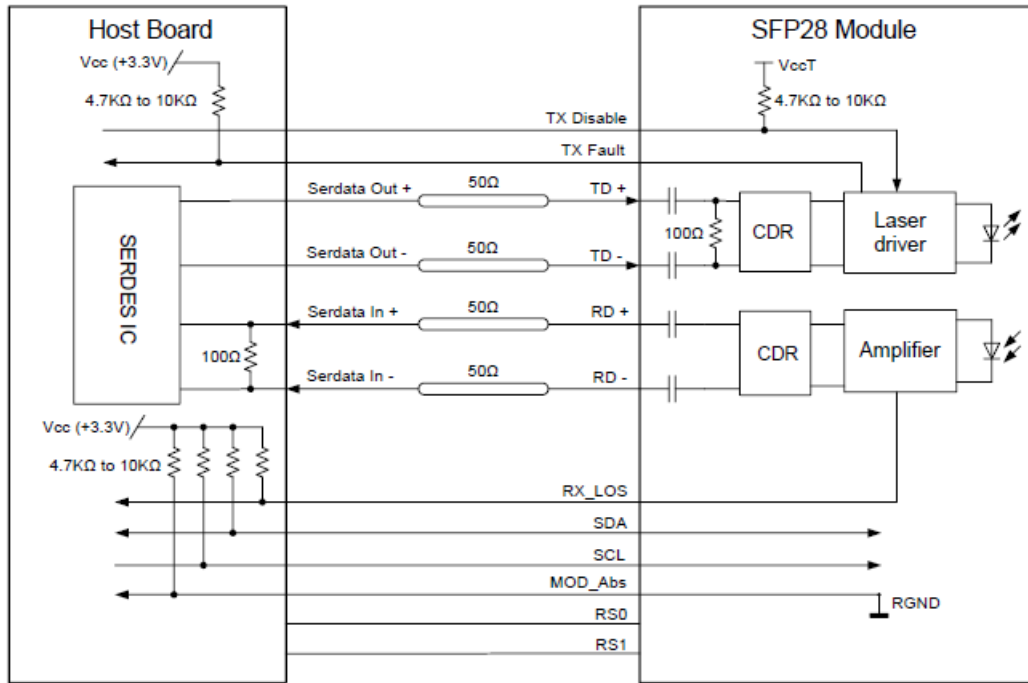


Pin-Out of Connector Block on the Host Board

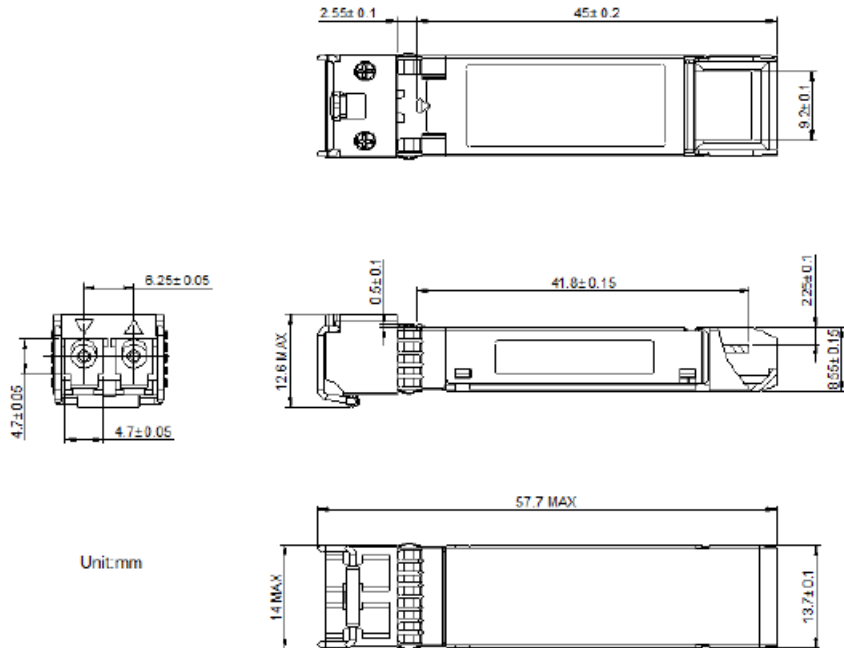
**Recommended Host Board Power Supply Filter Network**



## Recommended Application Interface Block Diagram



## Mechanical Specifications



## **About ProLabs**

Our experience comes as standard; for over 15 years ProLabs has delivered optical connectivity solutions that give our customers freedom and choice through our ability to provide seamless interoperability. At the heart of our company is the ability to provide state-of-the-art optical transport and connectivity solutions that are compatible with over 90 optical switching and transport platforms.

## **Complete Portfolio of Network Solutions**

ProLabs is focused on innovations in optical transport and connectivity. The combination of our knowledge of optics and networking equipment enables ProLabs to be your single source for optical transport and connectivity solutions from 100Mb to 400G while providing innovative solutions that increase network efficiency. We provide the optical connectivity expertise that is compatible with and enhances your switching and transport equipment.

## **Trusted Partner**

Customer service is our number one value. ProLabs has invested in people, labs and manufacturing capacity to ensure that you get immediate answers to your questions and compatible product when needed. With Engineering and Manufacturing offices in the U.K. and U.S. augmented by field offices throughout the U.S., U.K. and Asia, ProLabs is able to be our customers best advocate 24 hours a day.

## **Contact Information**

ProLabs US

Email: [sales@prolabs.com](mailto:sales@prolabs.com)

Telephone: 952-852-0252

ProLabs UK

Email: [salessupport@prolabs.com](mailto:salessupport@prolabs.com)

Telephone: +44 1285 719 600