

## Product Change Notice (PCN)

Date: 2/18/2021

PCN Number: PCN-0539026R-01

### To Our Customers:

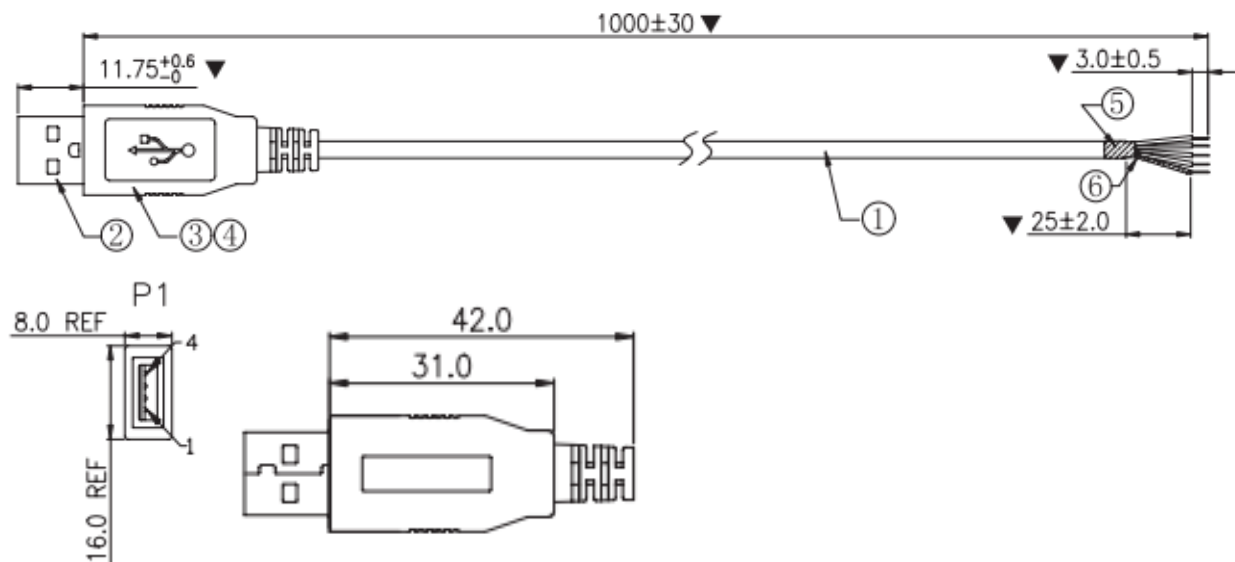
We appreciate your use of CUI Devices products. Our commitment in maintaining and improving processes is demonstrated by plans to enhance our product quality, reliability, and manufacturability. The purpose of this notice is to inform you of a product change.

**Product(s) Affected:** CBL-UA-ST-1

**Reason(s) for Change:** Old overmold mold cannot maintain efficient production. Adjustments necessary for efficiency purposes of automated production.

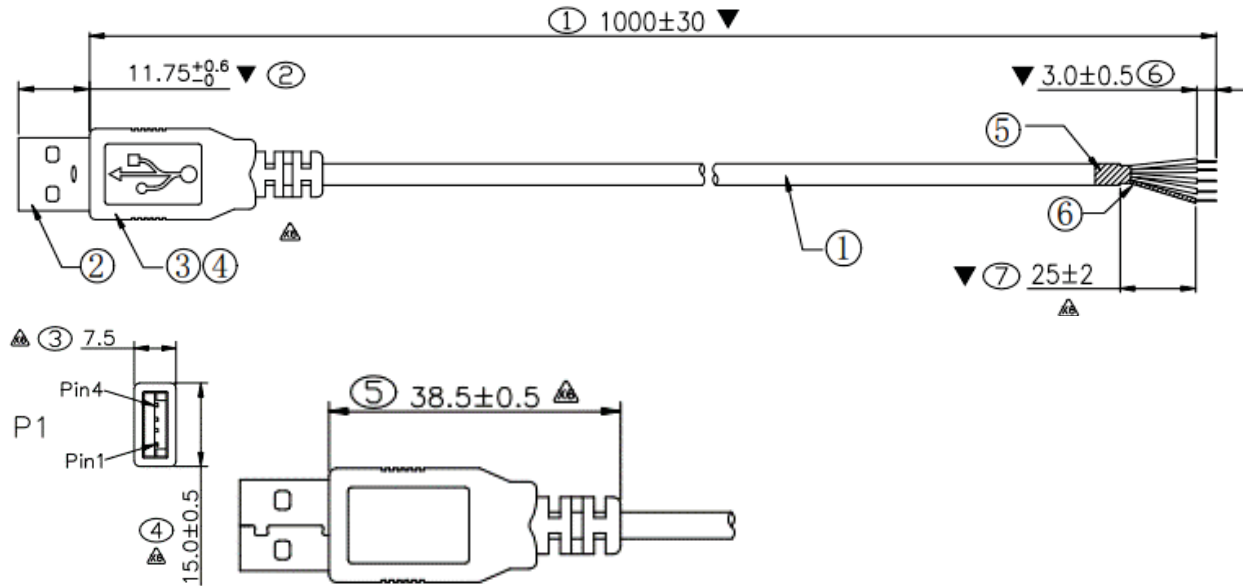
**Description of Change:** Adjustments shown in below images. Cable diameter change from 3.0mm to 3.5mm.

### Old Design



# CUI DEVICES

## New Design



**Affected Date Code:** 2/15/2021

**Product Availability:** currently available

**Additional Information:** none

PCN Approval:

Operations/Quality

*Robert D. ...*

Product Marketing

*RU*