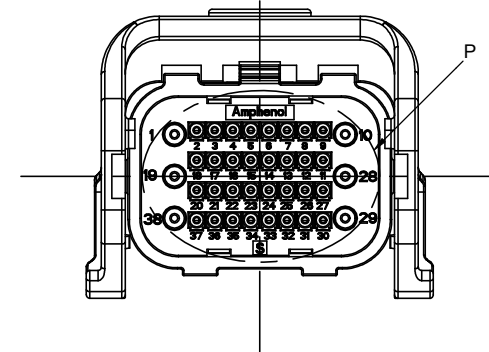
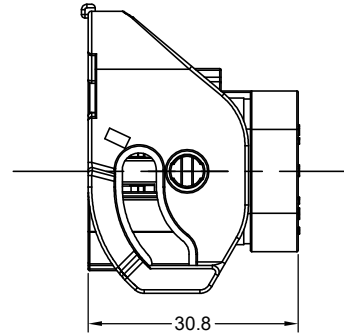
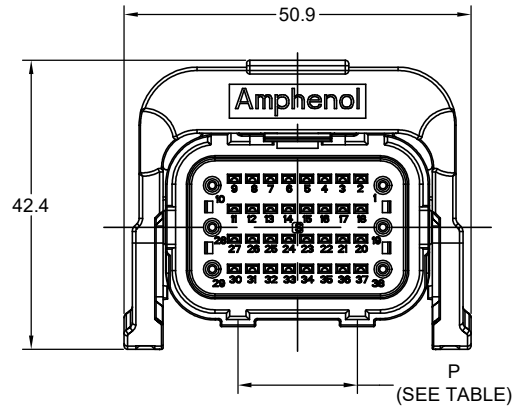


REVISIONS					
REV	ECO	DESCRIPTION	DATE	BY	APPR
A2	-	UPDATE DRAWING	Aug-9-2019	Flan	Tommy
A3	-	UPDATE DRAWING	Oct-15-2019	Flan	Tommy
A4	-	UPDATE DRAWING	Nov-12-2019	Flan	Tommy
A5	-	UPDATE DRAWING	Jun-29-2020	Ronald	Tommy
A6	-	UPDATE DRAWING	Aug-15-2020	Ronald	Tommy
A7	-	UPDATE IP CLASS	Jul-8-2021	Flan	Tommy



NOTES: (UNLESS OTHERWISE SPECIFIED)

1. MATERIAL:

- SHELL: THERMOPLASTIC, UL94 V-0, GRAY.
- CONTACT LOCATING COVER: THERMOPLASTIC, UL94 V-0, GREEN.
- GASKET: SILICONE RUBBER, RED.
- WIRE SEAL: SILICONE RUBBER.
- END CAP: THERMOPLASTIC, UL94 V-0, GRAY.
- LOCKING LEVER: THERMOPLASTIC, UL94 V-0, BLACK.

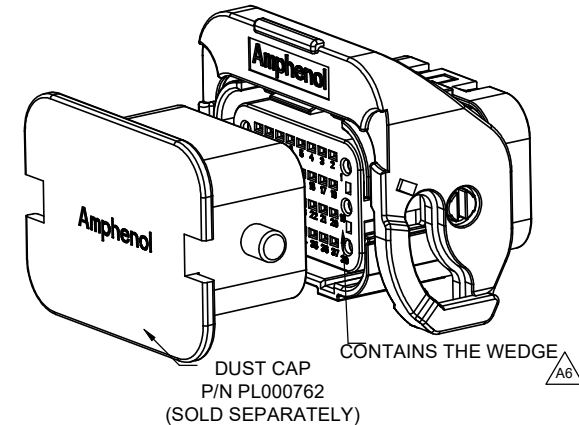
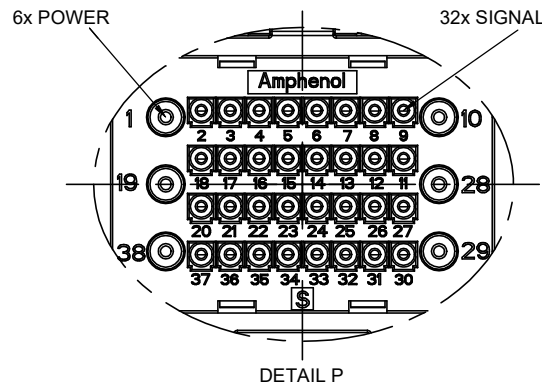
2. SPECIFICATIONS:

- 2.1 RATED CURRENT:
 - POWER: 13A (MAX).
 - SIGNAL: 5A (MAX).
- 2.2 RATED VOLTAGE (CLASS OF POLLUTION II): 250V (AC/DC).
- 2.3 OPERATING TEMPERATURE: -40°C~+125°C.
- 2.4 DIELECTRIC WITHSTANDING VOLTAGE: LESS THAN 2 MILLIAMPS CURRENT LEAKAGE@2000 VOLTS AC.
- 2.5 INSULATION RESISTANCE: 500 MEGOHMS MIN.
- 2.6 IP-CLASS: IP67&IP69K(MATED CONDITION). $\triangle A7$
- 2.7 MATING CYCLES DURABILITY: 500 CYCLES.
- 2.8 RoHS COMPLIANT.

3. ALL DIMENSIONS ARE FOR REFERENCE USE ONLY.

4. PART NUMBER AND WIRE RANGE: $\triangle A6$

PART NUMBER	SIGNAL (WIRE&OD RANGE)	POWER (WIRE&OD RANGE)	WIRE SEAL COLOR
ATV06-38S*-S2	$\varnothing 1.5\sim 1.8\text{mm}(20\text{AWG})$	$\varnothing 1.6\sim 2.8\text{mm}(22\sim 14\text{AWG})$	RED



TABLE

KEY POS	P
A	17.50
B	14.50
C	11.50

QUANTITY	PART NUMBER	DESCRIPTION	ITEM
MATERIALS LIST			
UNLESS OTHERWISE SPECIFIED 1) All dimensions are in metric (mm). 2) Tolerances are as follows: 1 PL DEC ± 0.30 2 PL DEC ± 0.15 3 PL DEC ± 0.08 3) Note reference = \triangle		SIGNATURES DRAWN: Flan CHECKED: Orion ENGINEER: APPROVAL: Tommy DATE: Jul-8-2021 Jul-9-2021 Jul-9-2021	Amphenol Sine Systems - www.amphenol-sine.com 44724 Morley Drive Clinton Township, MI 48036
MATERIAL SPECIFICATIONS:		APPROVAL: Tommy	DURALOK ,ATV,PLUG,38POS,SOCKET
PROCESS SPECIFICATIONS:		CUSTOMER:	THIS DRAWING IS SUPPLIED FOR INFORMATION ONLY. DESIGN FEATURES, SPECIFICATIONS AND PERFORMANCE DATA SHOWN HEREON ARE THE PROPERTY OF THE AMPHENOL CORPORATION. NO RIGHTS OF REPRODUCTION ARE IMPLIED. ALL DIMENSIONS ARE SUBJECT TO NORMAL MANUFACTURING VARIATIONS.
NEXT ASSY:	SIZE: B C-	DWG NO: ATV06-38S*-Sx	REVISION: A7
	SCALE: NONE		SHEET 1 OF 1

***DENOTES KEY WAY. CONTACT SIZE: SIGNAL SC000572x; POWER SS20M1x, SS16M1x, SS14M1x. RECOMMENDED TO CHOOSE HARD WIRE, SUCH AS FEP INSULATION AND XLPE INSULATION.

TITLE: DURALOK ,ATV,PLUG,38POS,SOCKET DWG NO: ATV06-38S*-Sx REV: A7 SH: 1 OF: 1