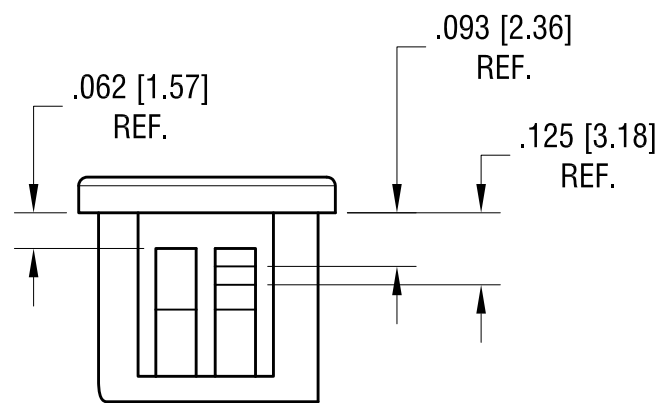
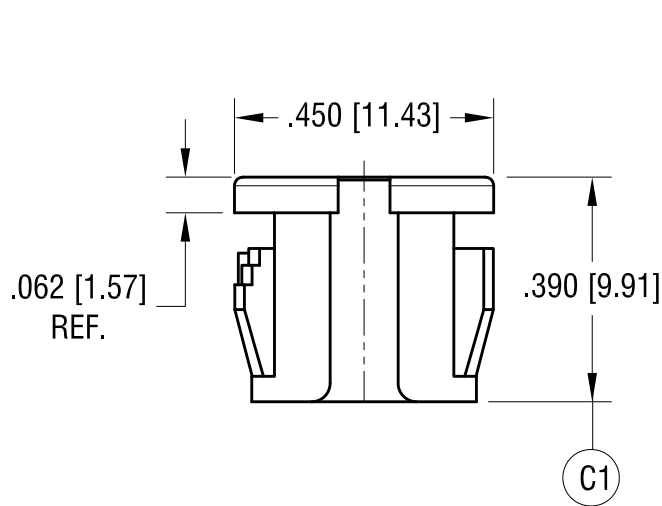
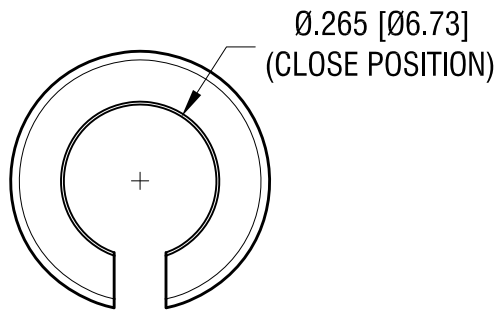


THIS DOCUMENT IS THE PROPERTY OF
KEYSTONE ELECTRONICS CORP. AND
SHALL NOT BE REPRODUCED, DISTRIBUTED
OR USED AS A BASIS FOR MANUFACTURE
WITHOUT PRIOR WRITTEN PERMISSION
FROM KEYSTONE ELECTRONICS CORP.

ACTUAL SIZE



NOTE:
1. MOUNTING HOLE .375 [9.52]

8.15.22	(C1) WAS .406±.015 CHANGE AS PER ECN 22-140	C
3.23.20	CHANGE AS PER ECN 20-026	B
12.07.17	CHANGE AS PER ECN 17-074	A
DATE	DESCRIPTION	REV.

KEYSTONE ELECTRONICS CORP.			
www.keyelco.com • NEW HYDE PARK, NY 11040 • Tel (516) 328-7500			
PART NAME			
NYLON SPLIT BUSHING			
MATERIAL			
NYLON 6/6, BLACK UL 94V-2			
FINISH		DRN BY	DATE
NONE		BOONE	1.18.07
		APP'D	SCALE
		LN	3X
TOLERANCES	INCH [MM]	CODE	DWG NO.
DECIMAL	± .015 [± 0.38]	C	8490
ANGULAR	± 1°		
UNLESS OTHERWISE SPECIFIED			