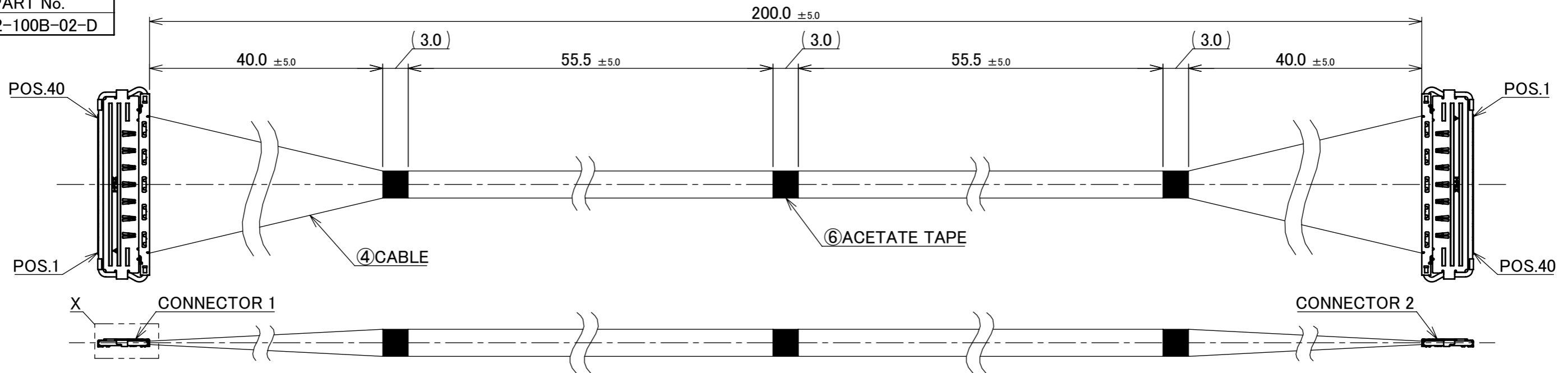
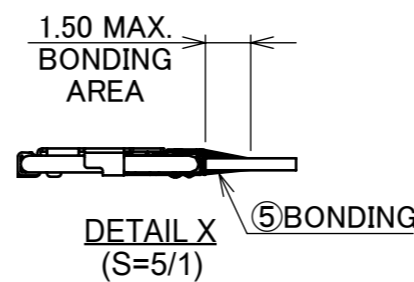
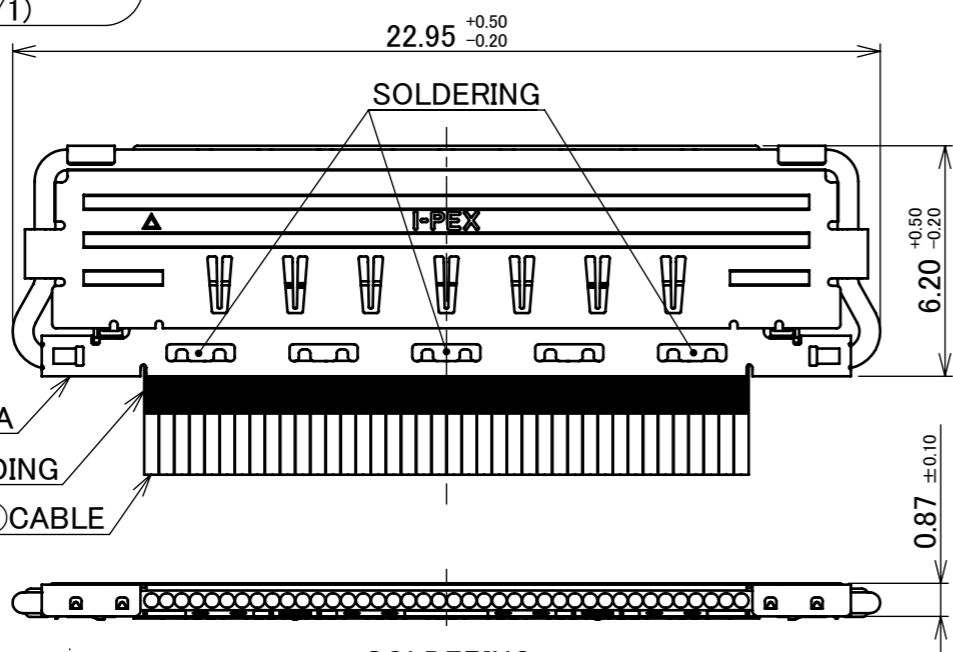


PART No.
81462-100B-02-D



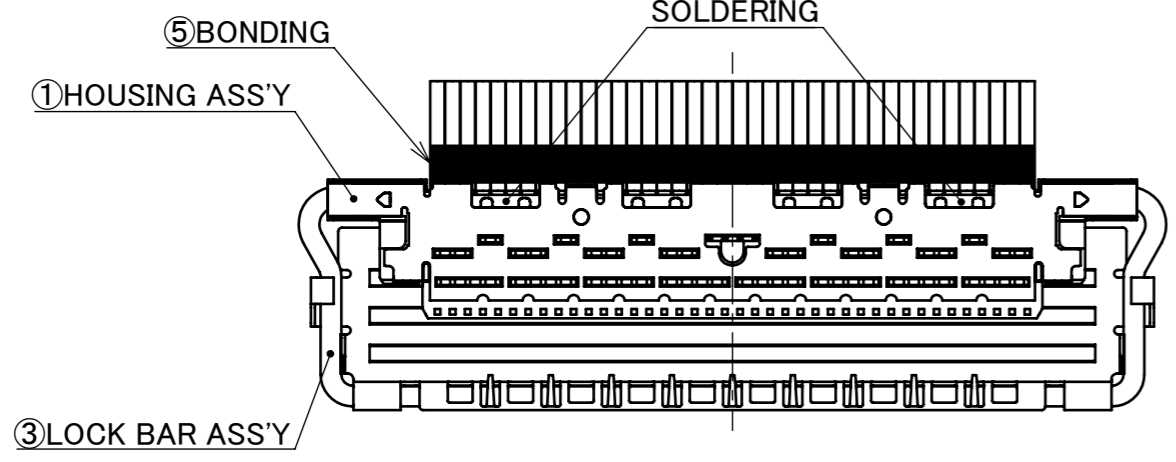
CONNECTOR 1 & 2
(S=5/1)



PIN ASSIGNMENT		
CONNECTOR 1	CABLE	CONNECTOR 2
40	MICRO-COAXIAL AWG #40 50 OHM, BLUE	1
39	MICRO-COAXIAL AWG #40 50 OHM, BLUE	2
.	MICRO-COAXIAL AWG #40 50 OHM, BLUE	.
.	MICRO-COAXIAL AWG #40 50 OHM, BLUE	.
2	MICRO-COAXIAL AWG #40 50 OHM, BLUE	39
1	MICRO-COAXIAL AWG #40 50 OHM, BLUE	40

NOTE.
1. TO HANDLE THIS CONNECTOR YOU MUST READ AND FOLLOW THE INSTRUCTION MANUAL BELOW. I-PEX INSTRUCTION MANUAL No.HIM-15033.
2. ELECTRIC CHARACTERISTICS
WITHSTANDVOLTAGE : AC 250V(1SEC.) LEAKAGE CURRENT 2.0mA MAX.
INSULATION RESISTANCE : 50MΩ MIN. DC 100V (0.5SEC.)

NO.	DESCRIPTION	PARTS NO.	QTY	REMARK
6	ACETATE TAPE	-	3	BLACK
5	BONDING	-	-	UV GLUE
4	CABLE	-	40	MICRO-COAXIAL AWG #40 50 OHM, BLUE
3	LOCK BAR ASS'Y	20681-040T-01	2	CONNECTOR 1 & 2
2	SHELL-A	3204-0401	2	CABLINE-CA II PLUG P/N : 20679-040T-01
1	HOUSING ASS'Y	20680-040T-01	2	CONNECTOR TO BE MATED : 20682-040E-02



For DIGI-KEY CORPORATION

ANGLE	±2°	6 OVER 30 MAX.	±0.3	PROJECTION	SERIES No.	CUSTOMER COPY
	6 MAX.	±0.2	30 OVER 120 MAX.	±0.5	IH-210016	
GENERAL TOLERANCE.				TITLE	SCALE	I-PEX
DWG.	K.Baba	DATE	2021/05/19	CABLINE®-CA II 40P HARNESS	2:1	
CHK.	R.Takei			DWG. No.	SIZE	SHEET
REV.	ECN	BY	DATE	APP.	A3	
REVISION RECORD				APP.	81462	REV.
				H.Ikari	1/1	0