

3U RACK HANDLE

SPECIFICATIONS:

HANDLES

DESCRIPTION: EIA-310 compliant 3U rack handle with captive screws to secure enclosure to rack
 MATERIAL: Bayer Bayblend PC/ABS polymer
 RATED STRENGTH: 100lbs per handle, straight pull
 FLAMMABILITY: NEBS compliant UL94 V-0, IEC 60335-1
 ECOLABELS: RoHS, Blue Angel, Nordic Swan, TCO, WEEE, EU Flower

CAPTIVE SCREWS

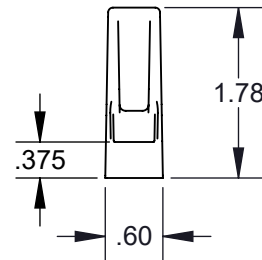
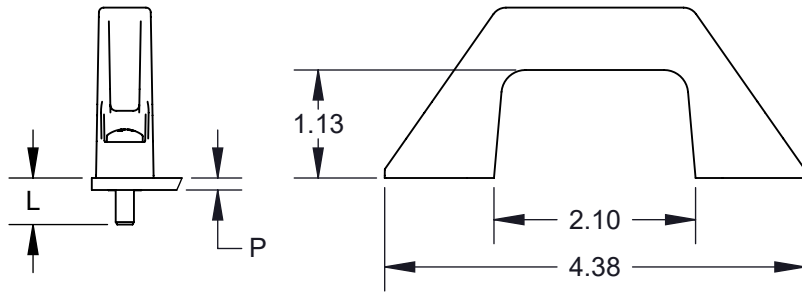
DESCRIPTION: ANSI #10-32 captive phillips pan head
 MATERIAL: 18-8 stainless steel

MOUNTING SCREWS

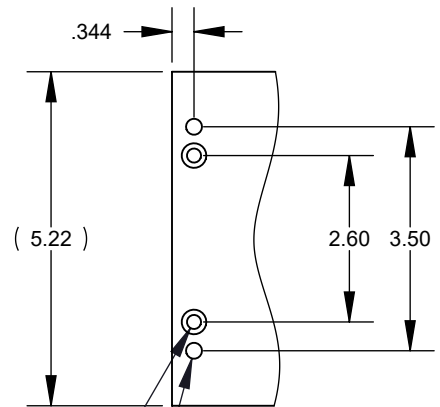
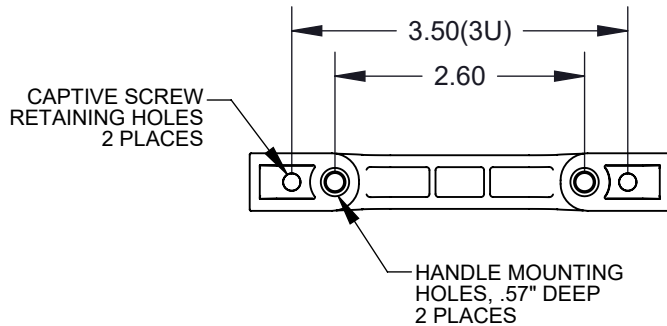
DESCRIPTION: #10-14x5/8" flat head plastite thread forming
 MATERIAL: zinc plated steel

SCOPE OF SUPPLY

The kit part number includes 2 handles, 4 mounting screws and 4 captive screws packaged with mounting instructions.



DIMENSIONS
 IN INCHES
 TOLS: ± .01



2X ϕ .221 THRU
 \checkmark ϕ .39 X 82°
 (\perp ϕ .39 ∇ .13 ON .375" PANEL)

RECOMMENDED
 MOUNTING HOLES
 REAR SIDE OF 3U PANEL
 TOLS: ± .005

2X ϕ .25 THRU

| KIT PART NUMBERS | | | |
|------------------------|-------------|-------|----------|
| PANEL THICKNESS "P" | SCREW STYLE | "L" | PART NO. |
| .059-.090" | PHIL PN HD | .435" | 3003-059 |
| .100-.134" | PHIL PN HD | .485" | 3003-100 |
| .160-.190" | PHIL PN HD | .535" | 3003-160 |
| .375±.015" | PHIL PN HD | .750" | 3003-375 |

Part numbers shown ensure complete screw engagement with tapped or cage-nut style rack rails. For dedicated tapped rail applications a shorter screw may be used. Example: 3003-059 will work with a .125" panel and tapped rails.

PITON
 engineering